



Chipsmall Limited consists of a professional team with an average of over 10 year of expertise in the distribution of electronic components. Based in Hongkong, we have already established firm and mutual-benefit business relationships with customers from,Europe,America and south Asia,supplying obsolete and hard-to-find components to meet their specific needs.

With the principle of “Quality Parts,Customers Priority,Honest Operation,and Considerate Service”,our business mainly focus on the distribution of electronic components. Line cards we deal with include Microchip,ALPS,ROHM,Xilinx,Pulse,ON,Everlight and Freescale. Main products comprise IC,Modules,Potentiometer,IC Socket,Relay,Connector.Our parts cover such applications as commercial,industrial, and automotives areas.

We are looking forward to setting up business relationship with you and hope to provide you with the best service and solution. Let us make a better world for our industry!



## Contact us

Tel: +86-755-8981 8866 Fax: +86-755-8427 6832

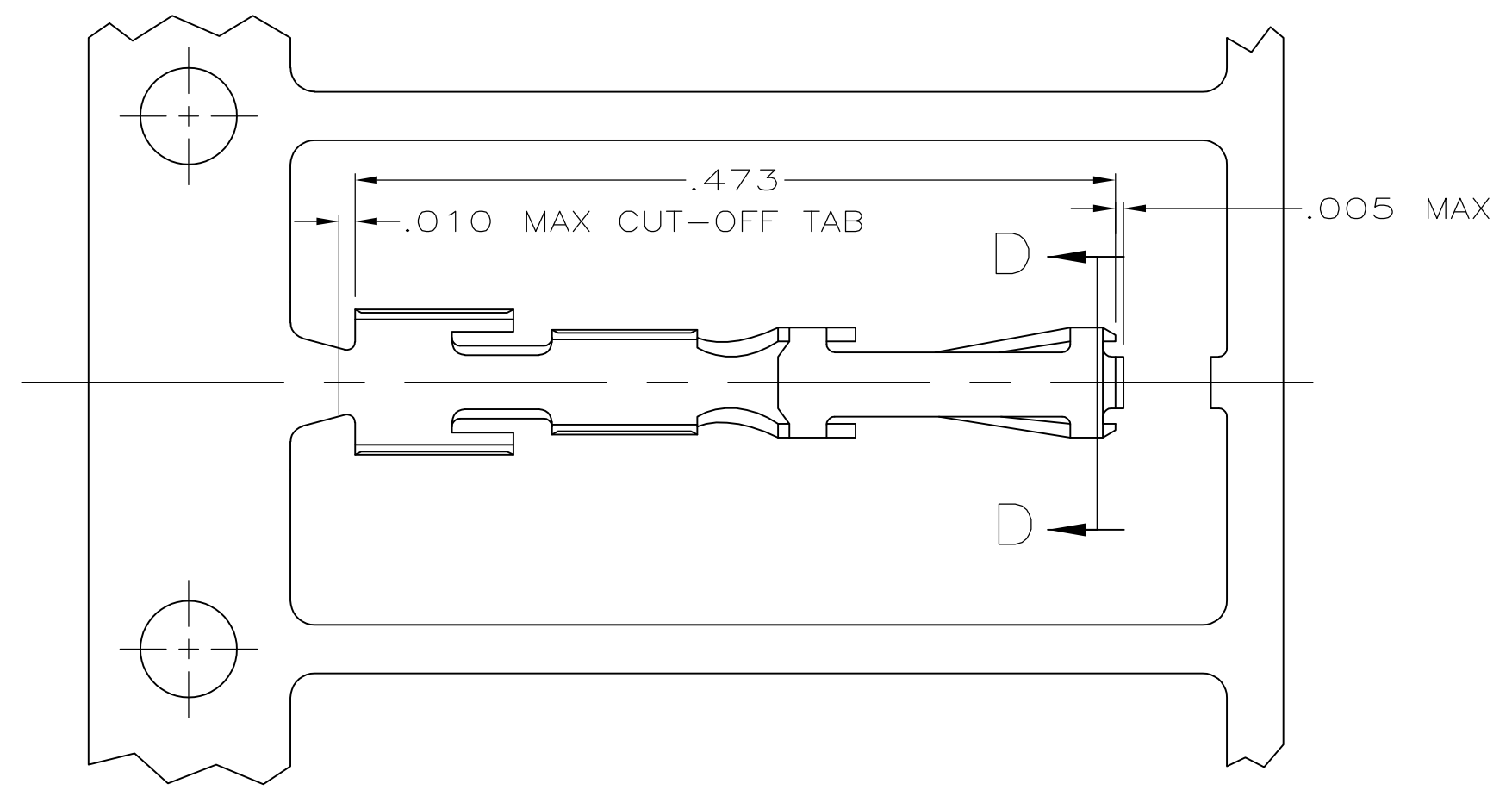
Email & Skype: info@chipsmall.com Web: www.chipsmall.com

Address: A1208, Overseas Decoration Building, #122 Zhenhua RD., Futian, Shenzhen, China

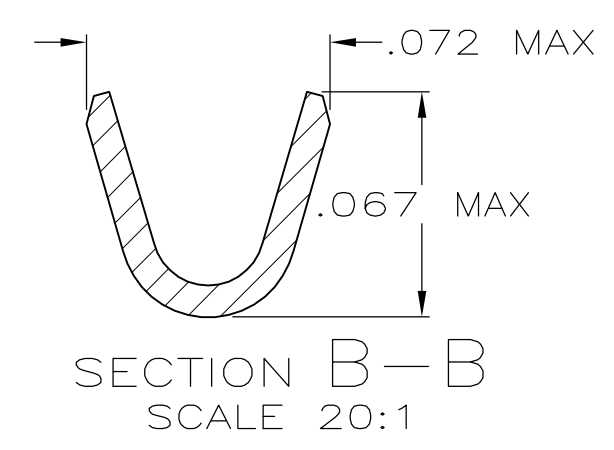
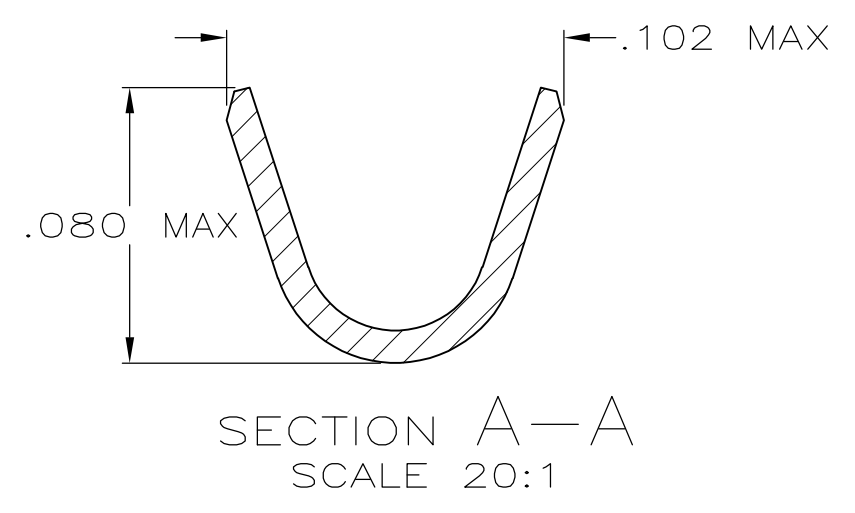
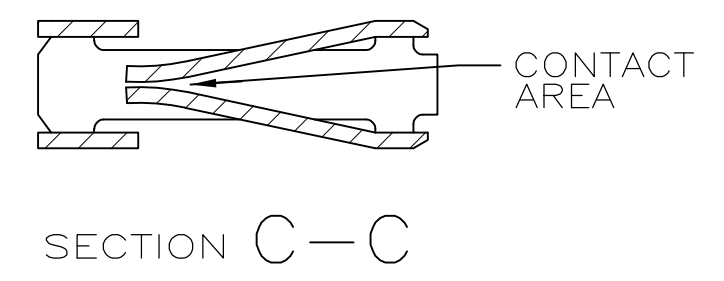
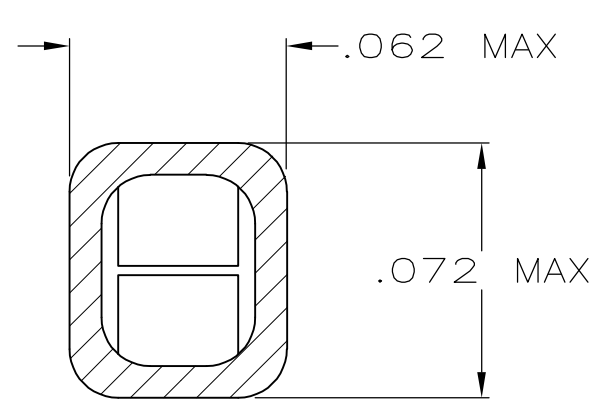
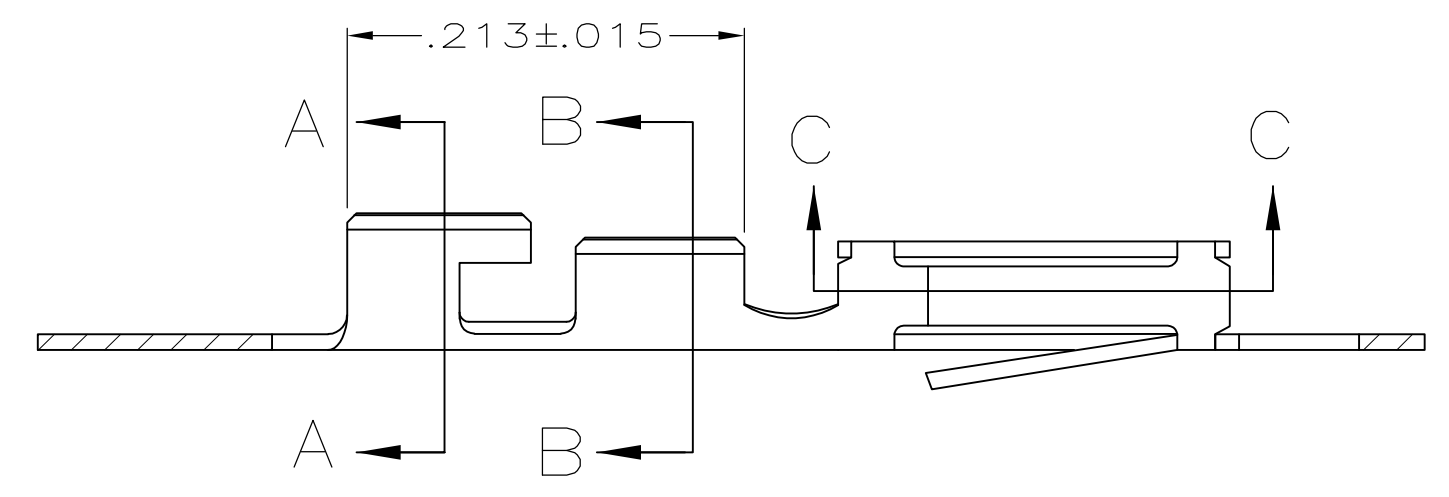


THIS DRAWING IS UNPUBLISHED. RELEASED FOR PUBLICATION  
 © COPYRIGHT BY TYCO ELECTRONICS CORPORATION. ALL INTERNATIONAL RIGHTS RESERVED.

LOC	DIST	REVISIONS			
P	LTR	DESCRIPTION	DATE	DWN	APVD
GP	00				
	L	REVISED PER ECO-09-001588	25JUN2009	CJV	CWR



- 1 FOR MINI APPLICATOR
- 2 FINISH: GOLD FLASH ALL OVER .000015 THK GOLD ON LOCALIZED CONTACT PLATING AREA OVER .000050 MIN THK NICKEL ON ENTIRE CONTACT,  
-OR-  
.000050 MIN THK NICKEL UNDERPLATE ON ENTIRE CONTACT, GOLD FLASH OVER PALLADIUM-NICKEL, .000015 MIN TOTAL THK ON LOCALIZED CONTACT PLATING AREA AND GOLD FLASH OVER REMAINDER OF CONTACT.
- 3. FOR 22-24 AWG WIRE WITH AN INS. RANGE OF .040-.056 DIA.



1	2	86657-2	86655-2
REMARKS	FINISH	LOOSE PIECE PART NO.	PART NO.

THIS DRAWING IS A CONTROLLED DOCUMENT.		DWN B. MOYER 6-8-89	Tyco Electronics Corporation Harrisburg, PA 17105-3608	
DIMENSIONS: INCHES		CHK D.L. ROCKER 6-8-89	NAME C.D. MILLER 6-14-89	
TOLERANCES UNLESS OTHERWISE SPECIFIED:		PRODUCT SPEC 108-9024	CONTACT, RCPT., ROUND WIRE, .100 CENTERLINE, FFC	
0 PLC ± - 1 PLC ± - 2 PLC ± - 3 PLC ± .005 4 PLC ± - ANGLES ± -		APPLICATION SPEC 114-16003	SIZE A2	RESTRICTED TO -
MATERIAL PHOS. BRONZE	FINISH SEE TABLE	WEIGHT -	CAGE CODE 00779	DRAWING NO C=86655
CUSTOMER DRAWING			SCALE 10:1	SHEET 1 of 1