



Chipsmall Limited consists of a professional team with an average of over 10 year of expertise in the distribution of electronic components. Based in Hongkong, we have already established firm and mutual-benefit business relationships with customers from,Europe,America and south Asia,supplying obsolete and hard-to-find components to meet their specific needs.

With the principle of “Quality Parts,Customers Priority,Honest Operation,and Considerate Service”,our business mainly focus on the distribution of electronic components. Line cards we deal with include Microchip,ALPS,ROHM,Xilinx,Pulse,ON,Everlight and Freescale. Main products comprise IC,Modules,Potentiometer,IC Socket,Relay,Connector.Our parts cover such applications as commercial,industrial, and automotives areas.

We are looking forward to setting up business relationship with you and hope to provide you with the best service and solution. Let us make a better world for our industry!



Contact us

Tel: +86-755-8981 8866 Fax: +86-755-8427 6832

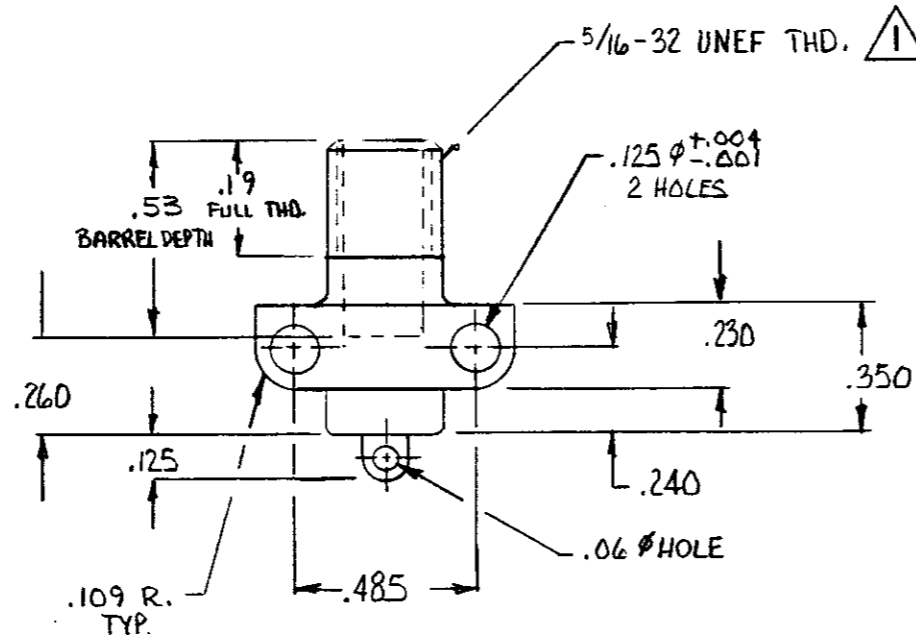
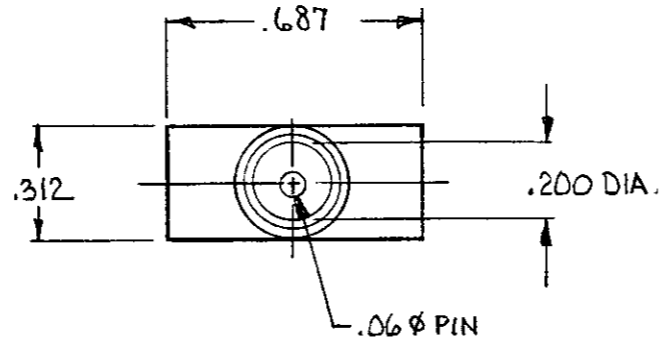
Email & Skype: info@chipsmall.com Web: www.chipsmall.com

Address: A1208, Overseas Decoration Building, #122 Zhenhua RD., Futian, Shenzhen, China



© COPYRIGHT 1980 BY AMP INCORPORATED, HARRISBURG, PA.
 ALL INTERNATIONAL RIGHTS RESERVED. AMP INCORPORATED PRODUCTS
 COVERED BY U.S. AND FOREIGN PATENTS AND/OR PATENTS PENDING.

				LOC	L	DIST	37
REVISIONS							
P	F	ZONE	LTR	DESCRIPTION	DATE	APPROVED	
			0	SK-01481-2			
	✓	A		REV PER ECN S-3960	4/16/87	RB	



⚠ PER FEDERAL STANDARD H-28 3 WIRE METHOD.
 DIMENSION OVER WIRES TO BE: .307-.318

866803-1 AS SHOWN

				UNLESS OTHERWISE SPECIFIED DIMENSIONS ARE IN INCHES. TOLERANCES: .00 ± .03 .000 ± .010 ANGLES ±		CONTRACT NO		PART NO	
				MATERIAL		DR <i>9/3/80</i>		AMP INCORPORATED Elizabethtown, Pa.	
				FINISH		CHK		NAME LGH 1/2 (RECEPTACLE WITH MOUNTING HOLES) LGH	
NEXT ASSY		FINAL ASSY		NEXT ASSY		APPD <i>[Signature]</i>		SIZE B CODE IDENT NO 00779 DRAWING NO 866803	
QTY REQD		APPLICATION				DESIGN APPD		SCALE <i>1X</i> SHEET 1 of 1	
						OTHER APPD			