



Chipsmall Limited consists of a professional team with an average of over 10 year of expertise in the distribution of electronic components. Based in Hongkong, we have already established firm and mutual-benefit business relationships with customers from,Europe,America and south Asia,supplying obsolete and hard-to-find components to meet their specific needs.

With the principle of “Quality Parts,Customers Priority,Honest Operation,and Considerate Service”,our business mainly focus on the distribution of electronic components. Line cards we deal with include Microchip,ALPS,ROHM,Xilinx,Pulse,ON,Everlight and Freescale. Main products comprise IC,Modules,Potentiometer,IC Socket,Relay,Connector.Our parts cover such applications as commercial,industrial, and automotives areas.

We are looking forward to setting up business relationship with you and hope to provide you with the best service and solution. Let us make a better world for our industry!



Contact us

Tel: +86-755-8981 8866 Fax: +86-755-8427 6832

Email & Skype: info@chipsmall.com Web: www.chipsmall.com

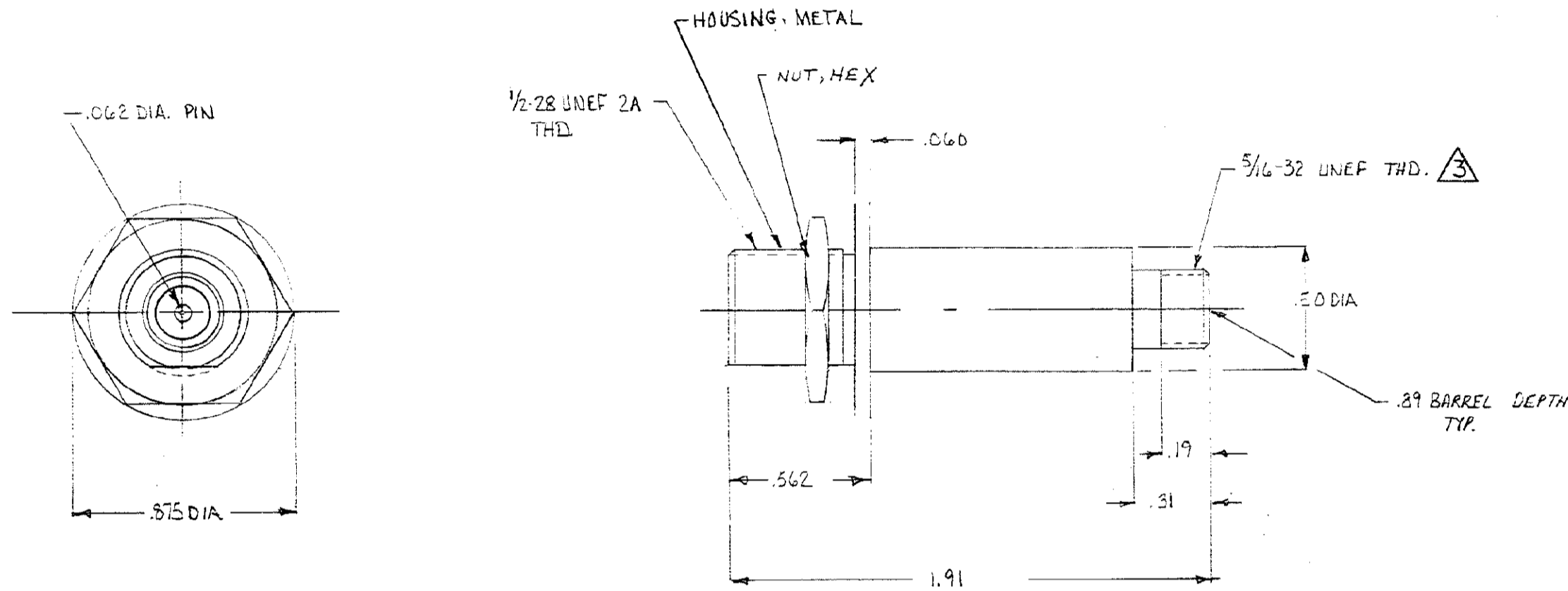
Address: A1208, Overseas Decoration Building, #122 Zhenhua RD., Futian, Shenzhen, China



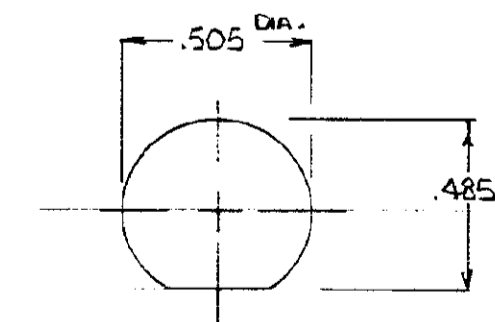
DRAWING MADE IN THIRD ANGLE PROJECTION

© COPYRIGHT 1980 BY AMP INCORPORATED, HARRISBURG, PA. ALL INTERNATIONAL RIGHTS RESERVED. AMP INCORPORATED PRODUCTS COVERED BY U. S. AND FOREIGN PATENTS AND/OR PATENTS PENDING.

REVISIONS					LOC	DIST
P	F	ZONE	LTR	DESCRIPTION	DATE	APPROVED
			0	WAS 54-01565-1	3/21/87	SMK
		A		REV. PER ECN S-3960	9/29/87	RS



1. RECEPTACLE TO MATE WITH AMP LGH-1/2L LEAD ASSEMBLY. AVAILABLE SEPARATELY.
2. RECEPTACLE TO MATE WITH AMP LGH-VRL 1/2L LEAD ASSEMBLY. AVAILABLE SEPARATELY.
3. PER FEDERAL STANDARD H-28 3 WIRE METHOD. DIMENSION OVER WIRES TO BE: .307-.318.



RECOMMENDED PANEL CUTOUT

866857-1 AS SHOWN

UNLESS OTHERWISE SPECIFIED DIMENSIONS ARE IN INCHES. TOLERANCES: .00 ± .03, .000 ± .015 ANGLES ±				CONTRACT NO		PART NO	
				DR	<i>3/24/80</i>	AMP INCORPORATED Elizabethtown, Pa.	
				CHK		NAME	
				APPD	<i>M. Jackson</i>	VRL-1/2L RECEPTACLE, FEED-THRU SPLICE	
				APPD		LGH	
				DSGN APPD		SIZE	CODE IDENT NO
				OTHER APPD		C	00779
						DRAWING NO	
						866857	
						SCALE	SHEET
							1/67

QTY REQD	FINAL ASSY	NEXT ASSY	USED ON	APPLICATION