



Chipsmall Limited consists of a professional team with an average of over 10 year of expertise in the distribution of electronic components. Based in Hongkong, we have already established firm and mutual-benefit business relationships with customers from,Europe,America and south Asia,supplying obsolete and hard-to-find components to meet their specific needs.

With the principle of “Quality Parts,Customers Priority,Honest Operation,and Considerate Service”,our business mainly focus on the distribution of electronic components. Line cards we deal with include Microchip,ALPS,ROHM,Xilinx,Pulse,ON,Everlight and Freescale. Main products comprise IC,Modules,Potentiometer,IC Socket,Relay,Connector.Our parts cover such applications as commercial,industrial, and automotives areas.

We are looking forward to setting up business relationship with you and hope to provide you with the best service and solution. Let us make a better world for our industry!



Contact us

Tel: +86-755-8981 8866 Fax: +86-755-8427 6832

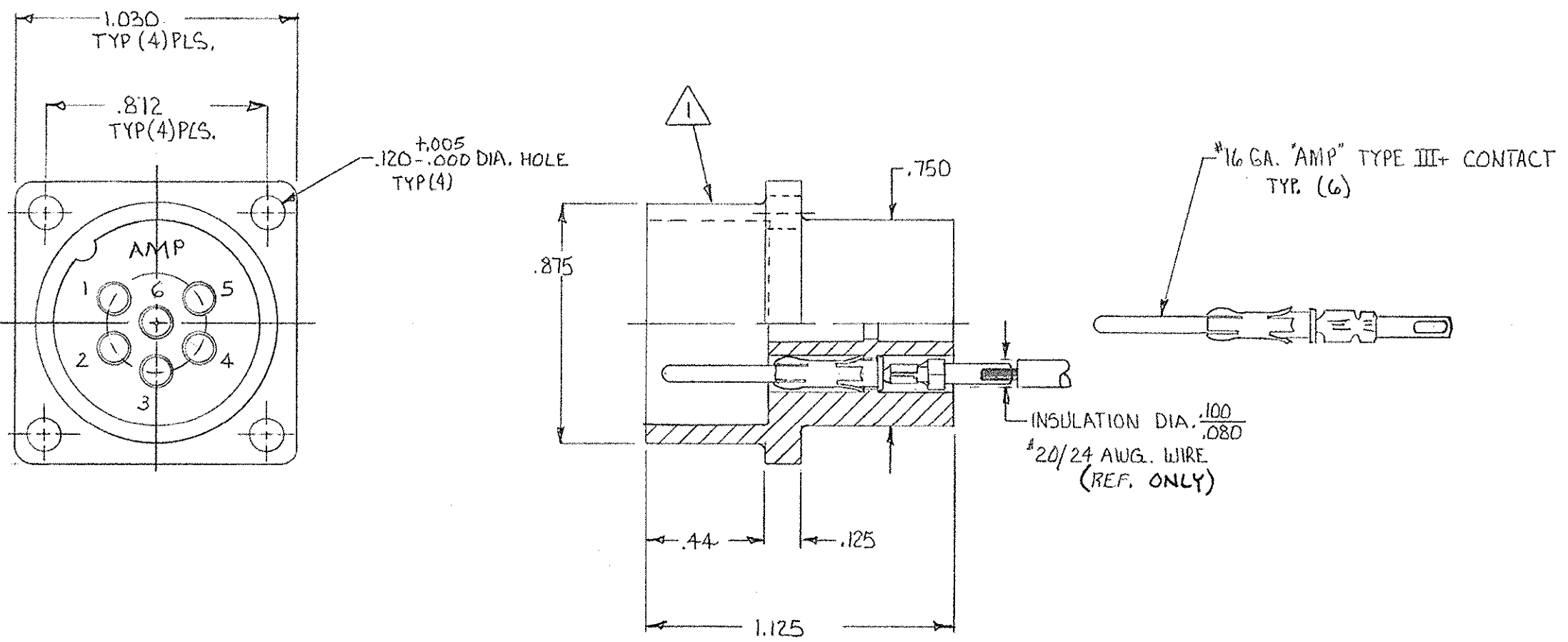
Email & Skype: info@chipsmall.com Web: www.chipsmall.com

Address: A1208, Overseas Decoration Building, #122 Zhenhua RD., Futian, Shenzhen, China



THIS DRAWING IS UNPUBLISHED. RELEASED FOR PUBLICATION, 19 .
 © COPYRIGHT 19 BY AMP INCORPORATED, HARRISBURG, PA. ALL INTERNATIONAL RIGHTS RESERVED. AMP PRODUCTS MAY BE COVERED BY U.S. AND FOREIGN PATENTS AND/OR PATENTS PENDING.

REVISIONS					
P	F	ZONE	LTR	DESCRIPTION	DATE APPROVED
	✓		0	RELEASED WAS SK-01955A RN	12/1/81 M.J.
	✓		A	REV. CONTACT ECM 9512 EN	7/26/82 M.J.
			B	REV PER OH14-0192-05	1-06 PY



1. HOUSING IS NOT PROVIDED WITH THREADED FRONT SKIRT
 2. KIT CONSIST OF ONE (1) RECEPTACLE & 6 PIN CONTACTS.

TIN PER ASTM-B-545	5-867298-1
93 7 TIN-LEAD	867298-1
CONTACT FINISH	PART NO

UNLESS OTHERWISE SPECIFIED DIMENSIONS ARE IN INCHES. TOLERANCES ON: DECIMALS ±.03 ANGLES ±.015	CONTRACT NO	AMP AMP INCORPORATED Harrisburg, Pa. 17105		
	DR <i>W. May</i> 7/30/81			
MATERIAL VALOX 420-SED	CHK	NAME 6 POSITION RECEPTACLE KIT (WK6-32S CONFIGURATION) LGH		
FINISH BLACK	APPD <i>M. Gardner</i> 7/30/81	SIZE C	FSCM NO 00779	DRAWING NO 867298
	OTHER APPD	SCALE	SHEET 1 of 1	