



Chipsmall Limited consists of a professional team with an average of over 10 year of expertise in the distribution of electronic components. Based in Hongkong, we have already established firm and mutual-benefit business relationships with customers from,Europe,America and south Asia,supplying obsolete and hard-to-find components to meet their specific needs.

With the principle of “Quality Parts,Customers Priority,Honest Operation,and Considerate Service”,our business mainly focus on the distribution of electronic components. Line cards we deal with include Microchip,ALPS,ROHM,Xilinx,Pulse,ON,Everlight and Freescale. Main products comprise IC,Modules,Potentiometer,IC Socket,Relay,Connector.Our parts cover such applications as commercial,industrial, and automotives areas.

We are looking forward to setting up business relationship with you and hope to provide you with the best service and solution. Let us make a better world for our industry!



Contact us

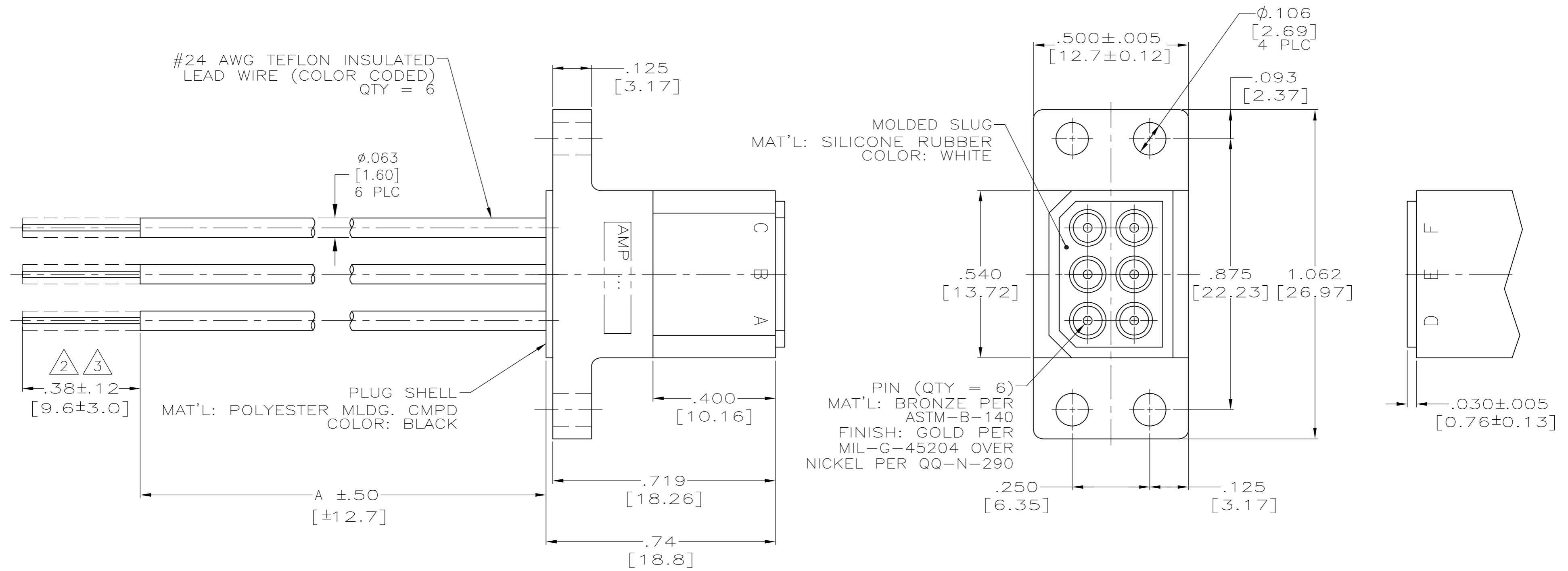
Tel: +86-755-8981 8866 Fax: +86-755-8427 6832

Email & Skype: info@chipsmall.com Web: www.chipsmall.com

Address: A1208, Overseas Decoration Building, #122 Zhenhua RD., Futian, Shenzhen, China



LOC		DIST		REVISIONS			
DF	S0	P	LTR	DESCRIPTION	DATE	DWN	APVD
		E		REV PER ECO-05-011907	15MAY06	PY	DE



1. LETTERS & AMP INFO. MARKED PER MIL-STD-130.
2. PIGTAILS ARE SOLDER DIPPED.
3. INSULATION CUT BUT NOT REMOVED

A	BROWN
B	RED
C	GREEN
D	BLUE
E	BLACK
F	WHITE

SCHMATIC

OBSOLETE	3	36.00 [914.4]	5-867464-3
	2	36.00 [914.4]	867464-3
	2	24.00 [609.6]	867464-2
	2	12.00 [304.8]	867464-1
REMARKS	A DIM		PART NO.

THIS DRAWING IS A CONTROLLED DOCUMENT.

DWN	C.C.THOMAS	9-18-91
CHK	S.GLADFELTER	9-23-91
APVD	-	-
PRODUCT SPEC	-	
APPLICATION SPEC	-	
WEIGHT	-	-
CUSTOMER DRAWING	-	

tyco Electronics Tyco Electronics Corporation
Harrisburg, Pa 17105-3608

PLUG ASSY, 6 POSN WITH FLYING LEADS, LGH

SIZE	A2	CAGE CODE	00779	DRAWING NO	C=867464	RESTRICTED TO	-
SCALE	4:1	SHEET	1	OF	1	REV	E