



Chipsmall Limited consists of a professional team with an average of over 10 year of expertise in the distribution of electronic components. Based in Hongkong, we have already established firm and mutual-benefit business relationships with customers from,Europe,America and south Asia,supplying obsolete and hard-to-find components to meet their specific needs.

With the principle of “Quality Parts,Customers Priority,Honest Operation,and Considerate Service”,our business mainly focus on the distribution of electronic components. Line cards we deal with include Microchip,ALPS,ROHM,Xilinx,Pulse,ON,Everlight and Freescale. Main products comprise IC,Modules,Potentiometer,IC Socket,Relay,Connector.Our parts cover such applications as commercial,industrial, and automotives areas.

We are looking forward to setting up business relationship with you and hope to provide you with the best service and solution. Let us make a better world for our industry!



## Contact us

Tel: +86-755-8981 8866 Fax: +86-755-8427 6832

Email & Skype: info@chipsmall.com Web: www.chipsmall.com

Address: A1208, Overseas Decoration Building, #122 Zhenhua RD., Futian, Shenzhen, China

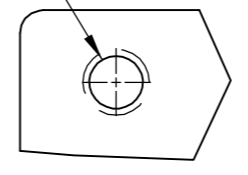


THIS DRAWING IS UNPUBLISHED. RELEASED FOR PUBLICATION - N/A .  
 © COPYRIGHT N/A BY TYCO ELECTRONICS CORPORATION. ALL RIGHTS RESERVED.

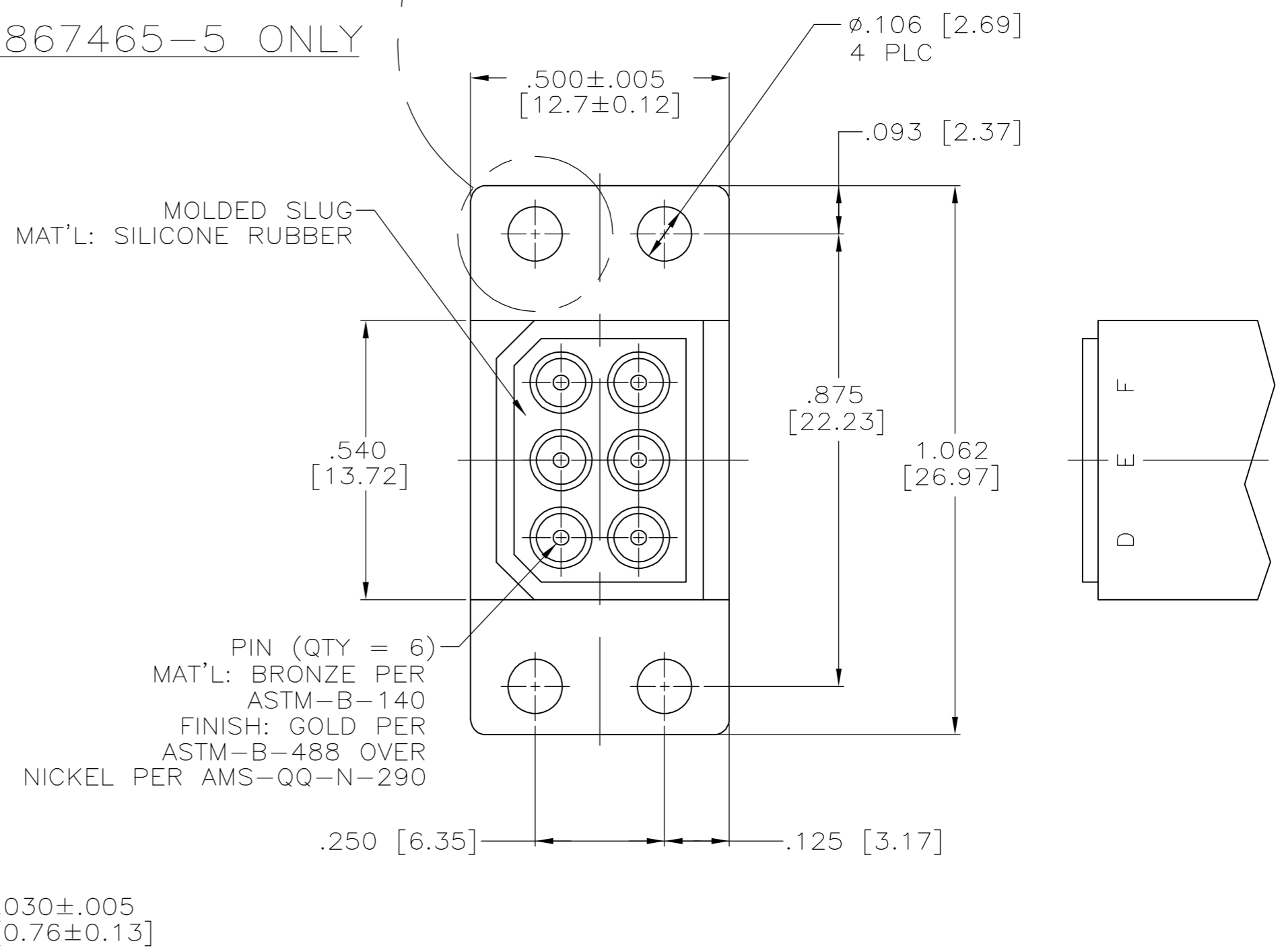
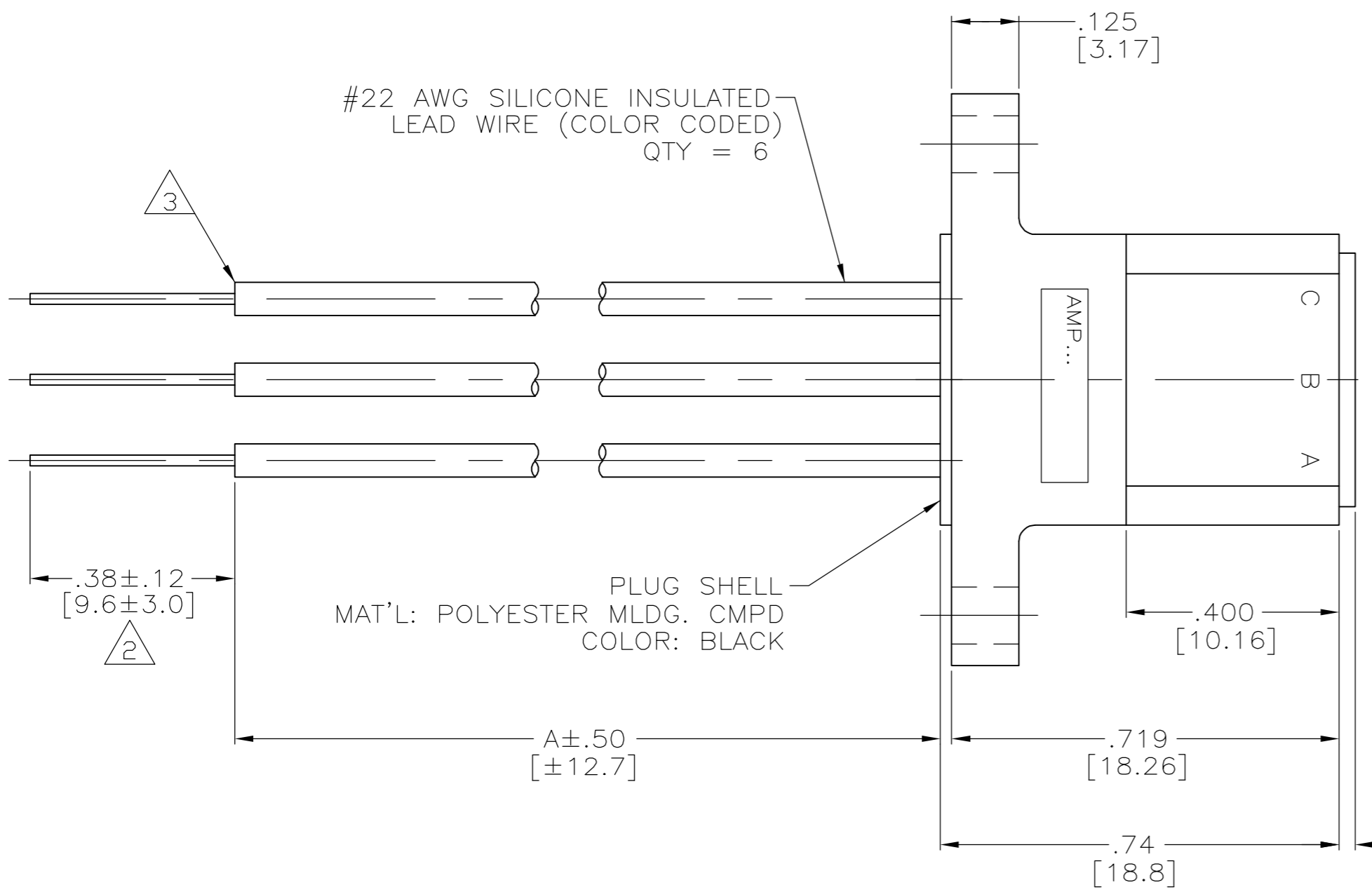
LOC	DIST	REVISIONS					
DF	S0	P	LTR	DESCRIPTION	DATE	DWN	APVD
		F		REV PER ECO-05-011907	15MAY06	PY	DE

1. CAVITY I.D. & AMP INFO. MARKED PER MIL-STD-130.
2. PIGTAILS ARE SOLDER DIPPED.
3. INSULATION CUT, BUT NOT REMOVED.

#2-56UNC-2B  
4 PLC



867465-5 ONLY



A	BROWN
B	RED
C	GREEN
D	BLUE
E	BLACK
F	WHITE

SCHEMATIC

3	36.00 [914.4]	5-867465-3
3	24.00 [609.6]	5-867465-2
3	12.00 [304.8]	5-867465-1
2	12.00 [304.8]	867465-5
2	96.00 [2438.4]	867465-4
2	36.00 [914.4]	867465-3
2	24.00 [609.6]	867465-2
2	12.00 [304.8]	867465-1
REMARKS	A DIM	PART NO.

THIS DRAWING IS A CONTROLLED DOCUMENT.		DWN C.C.THOMAS 07-JUL-93	tyco Electronics Tyco Electronics Corporation Harrisburg, Pa 17105-3608	
DIMENSIONS: INCHES [mm]	TOLERANCES UNLESS OTHERWISE SPECIFIED:	CHK D.EABY 13-OCT-93	NAME PLUG ASSY 6 POSN WITH FLYING LEADS LGH	
	0 PLC ± - 1 PLC ± - 2 PLC ± .03 [0.8] 3 PLC ± .015 [0.38] 4 PLC ± - ANGLES ± -	APVD D.EABY 13-OCT-93	SIZE A2	CAGE CODE 00779
MATERIAL SEE CALLOUTS	FINISH SEE CALLOUTS	PRODUCT SPEC APPLICATION SPEC	DRAWING NO C=867465	RESTRICTED TO -
CUSTOMER DRAWING		WEIGHT -	SCALE 4:1	SHEET 1 OF 1
		REV F		