



Chipsmall Limited consists of a professional team with an average of over 10 year of expertise in the distribution of electronic components. Based in Hongkong, we have already established firm and mutual-benefit business relationships with customers from,Europe,America and south Asia,supplying obsolete and hard-to-find components to meet their specific needs.

With the principle of "Quality Parts,Customers Priority,Honest Operation,and Considerate Service",our business mainly focus on the distribution of electronic components. Line cards we deal with include Microchip,ALPS,ROHM,Xilinx,Pulse,ON,Everlight and Freescale. Main products comprise IC,Modules,Potentiometer,IC Socket,Relay,Connector.Our parts cover such applications as commercial,industrial, and automotives areas.

We are looking forward to setting up business relationship with you and hope to provide you with the best service and solution. Let us make a better world for our industry!



Contact us

Tel: +86-755-8981 8866 Fax: +86-755-8427 6832

Email & Skype: info@chipsmall.com Web: www.chipsmall.com

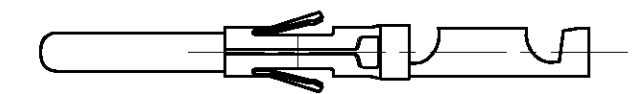
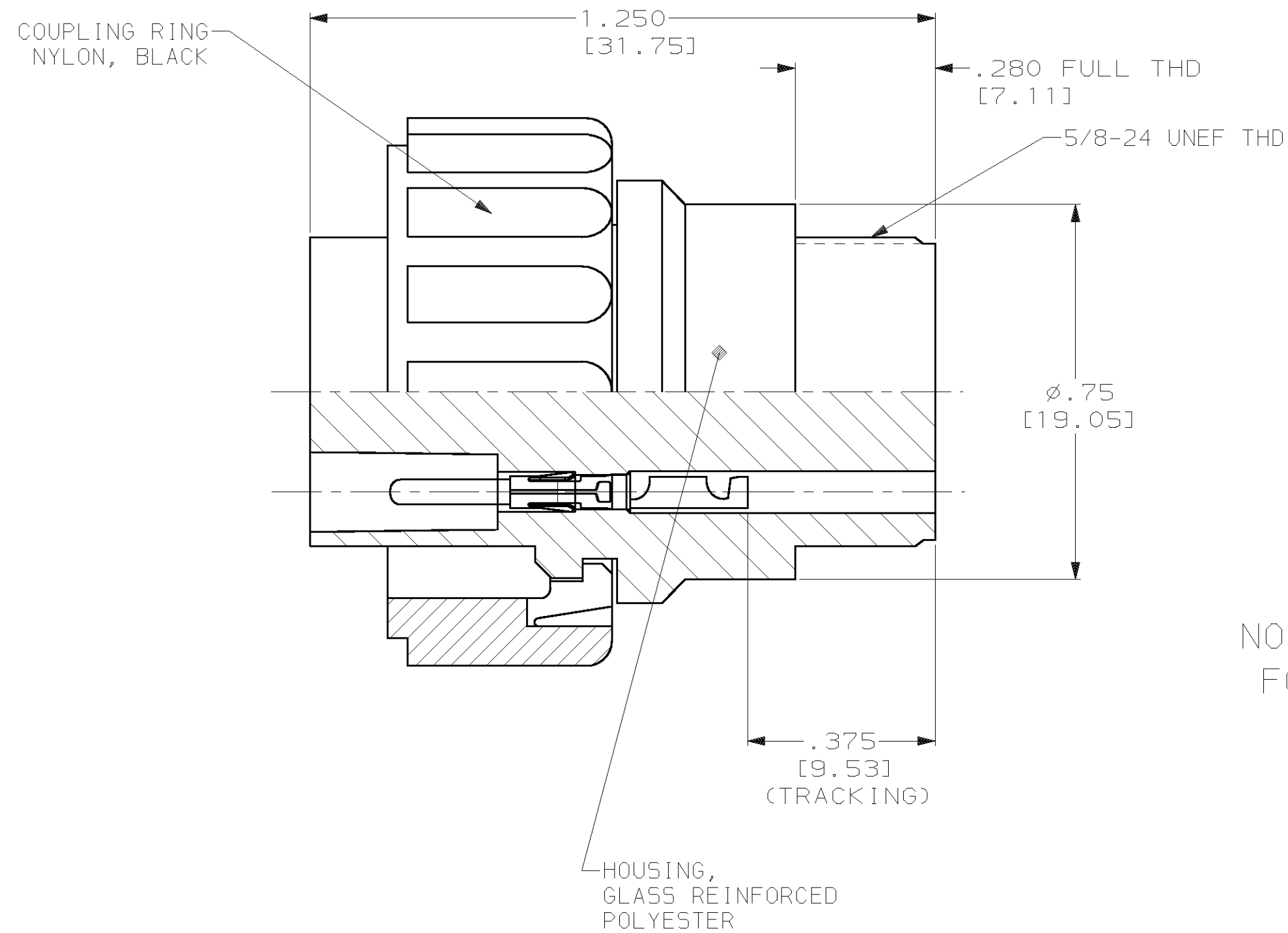
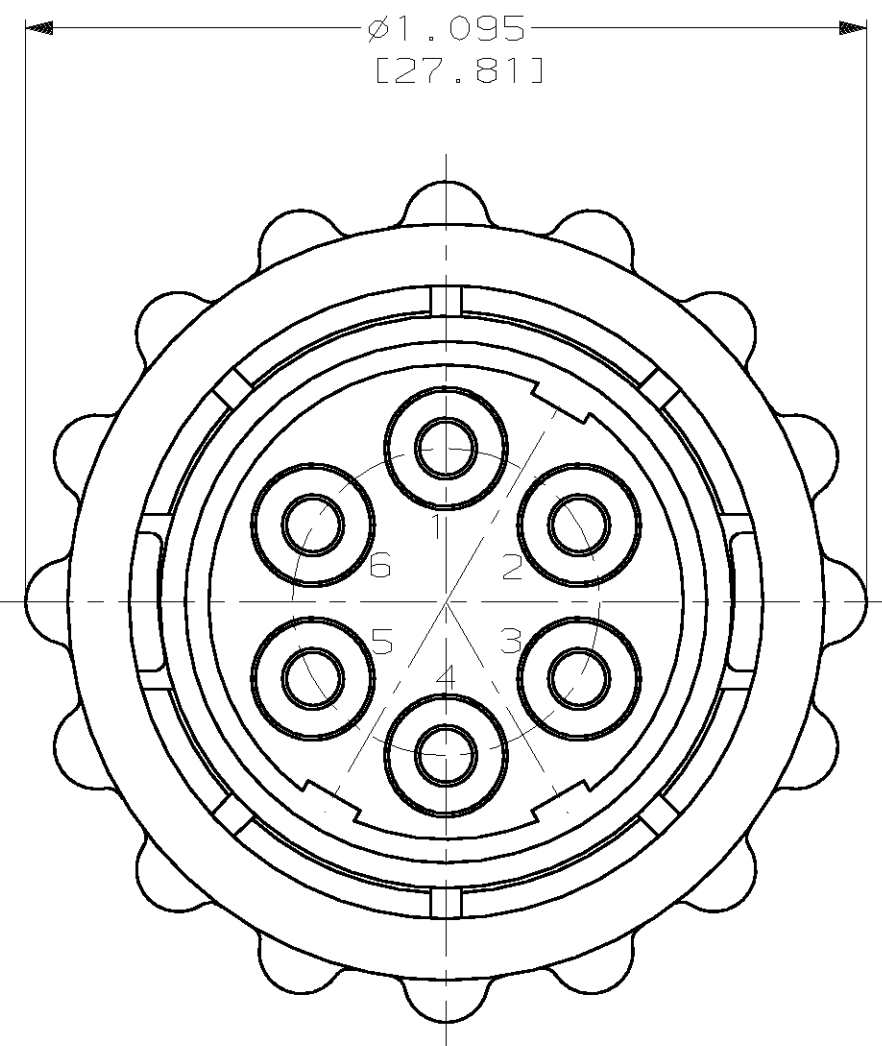
Address: A1208, Overseas Decoration Building, #122 Zhenhua RD., Futian, Shenzhen, China



THIS DRAWING IS UNPUBLISHED. RELEASED FOR PUBLICATION
 (C) COPYRIGHT 19 BY AMP INCORPORATED. ALL RIGHTS RESERVED.

LOC		DIST		REVISIONS			
P	LTR	DESCRIPTION	DATE	DWN	APVD		
B		REV PER 0600-7769-98	10-98	TT	DE		
C		REV PER 063D-0214-01	01/02	DBK	DE		

- 6 PINS, TIN PLATED .00015 MIN. THK. PART NUMBER 203816-5 (STRIP) OR 203816-6 (LOOSE PIECE). PURCHASED SEPARATELY NOT SUPPLIED WITH PLUG KIT.
- RECOMMENDED WIRE 20 - 24 AWG TEFLON COVERED WIRE .065 DIAMETER MAX (10 KVDC). GORE: F01A050, F01A060 (SUPPLIED BY CUSTOMER).
- BACK END OF CONNECTOR SHOULD BE POTTED OR PROTECTED AGAINST ARC_OVER OR BREAKDOWN WHEN OPERATING ABOVE 5KVDC.



PIN TYPE (6) Δ
 NOT SUPPLIED WITH PLUG KIT
 FOR WIRE RANGE 20-24 AWG

<small>THIS DRAWING IS A CONTROLLED DOCUMENT FOR AMP INCORPORATED. IT IS SUBJECT TO CHANGE AND THE CONTROLLING ENGINEERING ORGANIZATION SHOULD BE CONTACTED FOR THE LATEST REVISION.</small>		DWN T. THOMPSON 08-24-95 CHK C. SHELLY 08-25-95 APVD C. SHELLY 08-25-95	AMP AMP Incorporated Harrisburg, PA 17105-3608
DIMENSIONS: IN [mm]	TOLERANCES UNLESS OTHERWISE SPECIFIED: 0 PLC ±- 1 PLC ±- 2 PLC ±.03 [0.76] 3 PLC ±.015 [0.38] 4 PLC ±- ANGLES ±- FINISH -	PRODUCT SPEC - APPLICATION SPEC - WEIGHT -	6 POSITION PLUG KIT CPC STYLE LGH
MATERIAL -		CUSTOMER DRAWING	SIZE A2 CAGE CODE 00779 DRAWING NO. C=867534 SCALE 4:1 SHEET 1 OF 1 REV C