



Chipsmall Limited consists of a professional team with an average of over 10 year of expertise in the distribution of electronic components. Based in Hongkong, we have already established firm and mutual-benefit business relationships with customers from,Europe,America and south Asia,supplying obsolete and hard-to-find components to meet their specific needs.

With the principle of "Quality Parts,Customers Priority,Honest Operation,and Considerate Service",our business mainly focus on the distribution of electronic components. Line cards we deal with include Microchip,ALPS,ROHM,Xilinx,Pulse,ON,Everlight and Freescale. Main products comprise IC,Modules,Potentiometer,IC Socket,Relay,Connector.Our parts cover such applications as commercial,industrial, and automotives areas.

We are looking forward to setting up business relationship with you and hope to provide you with the best service and solution. Let us make a better world for our industry!



Contact us

Tel: +86-755-8981 8866 Fax: +86-755-8427 6832

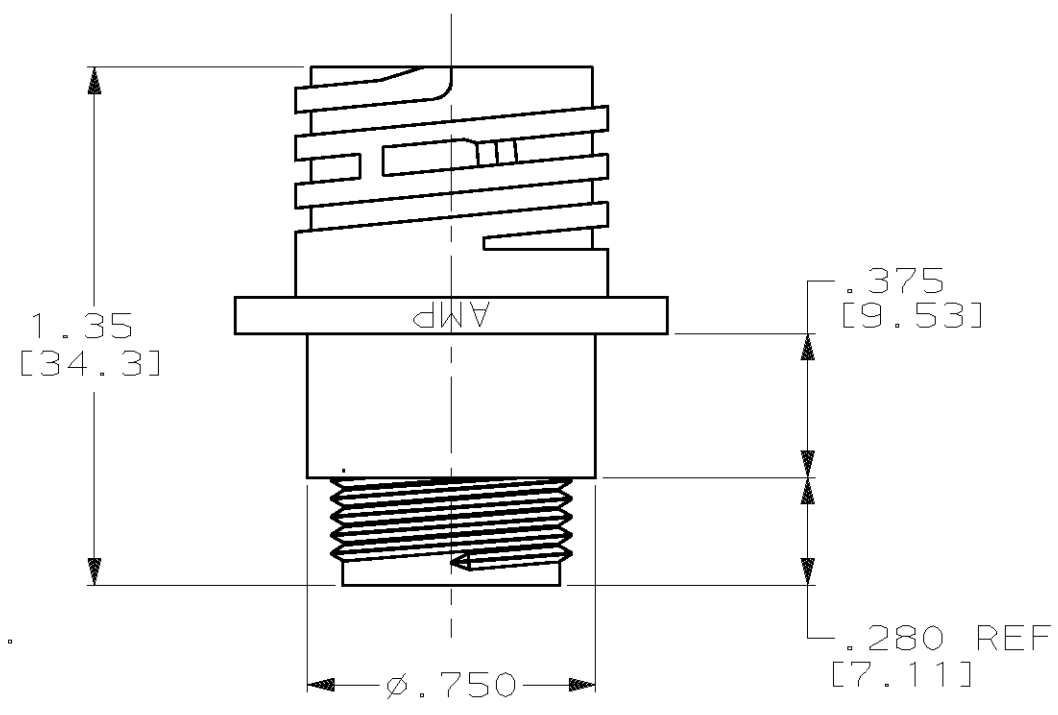
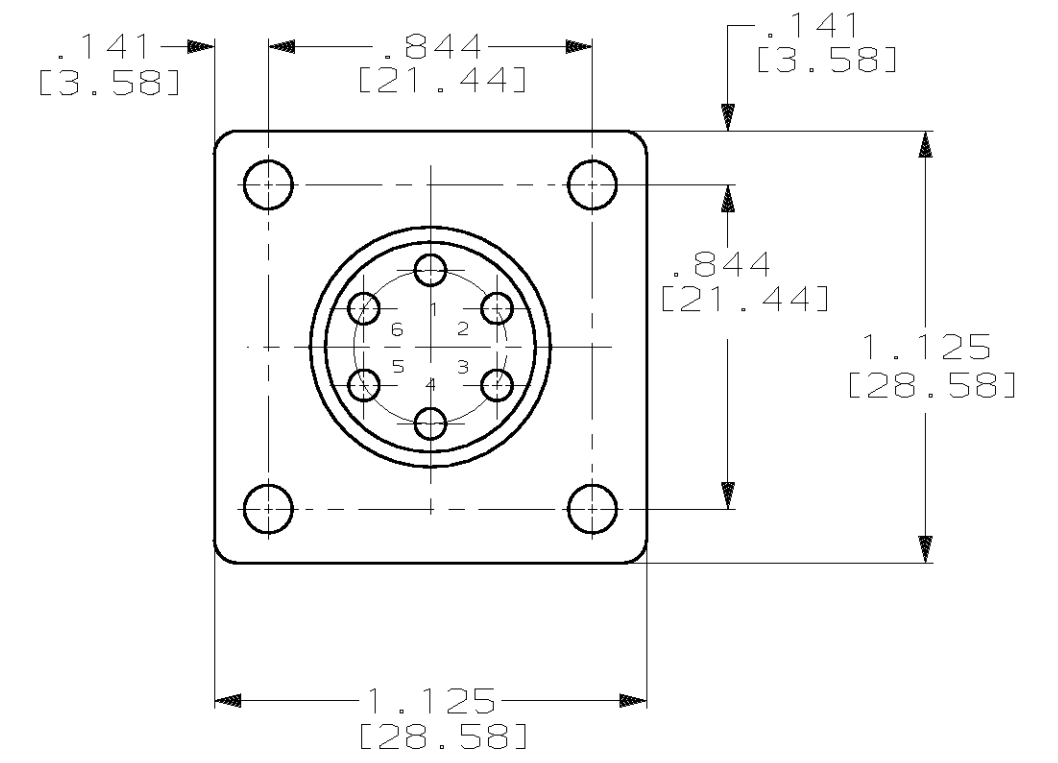
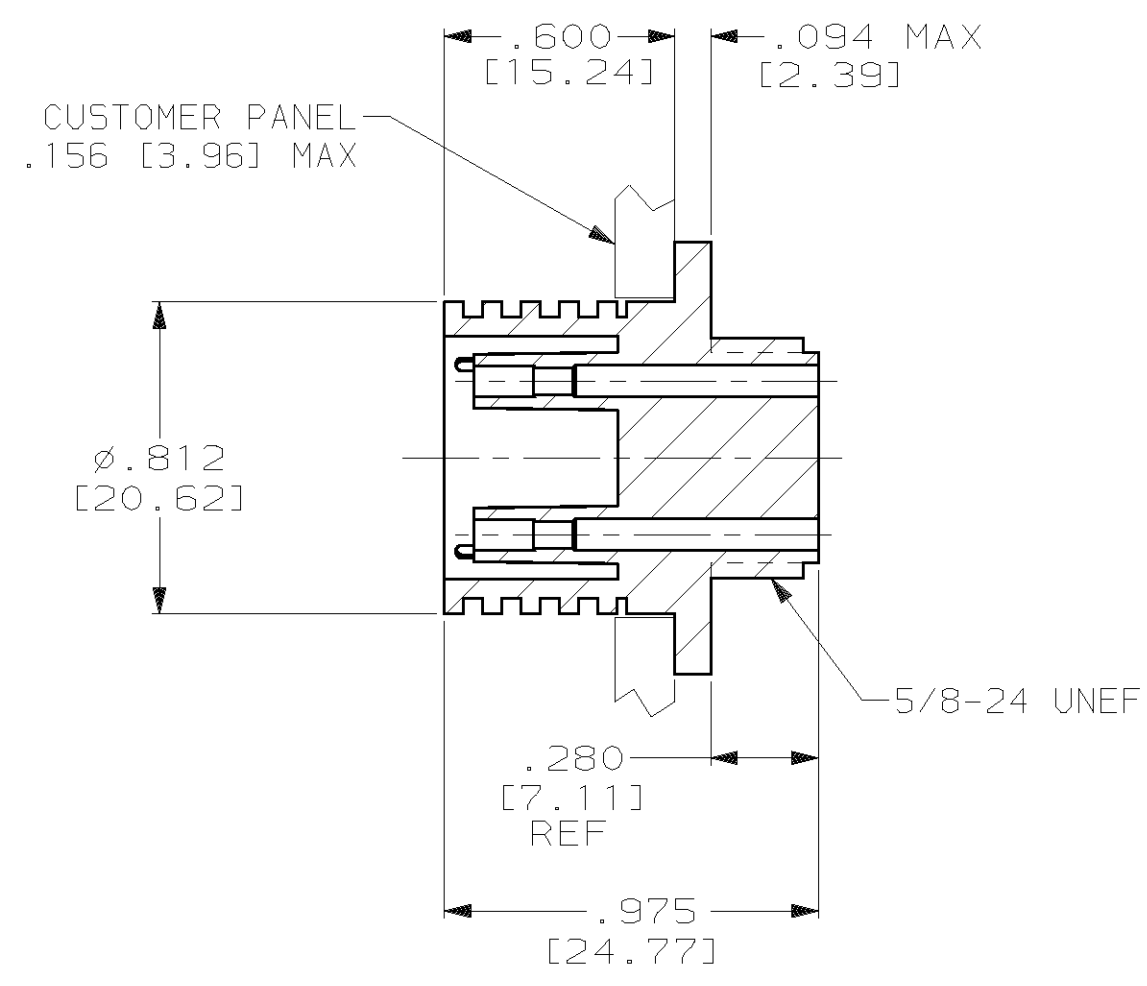
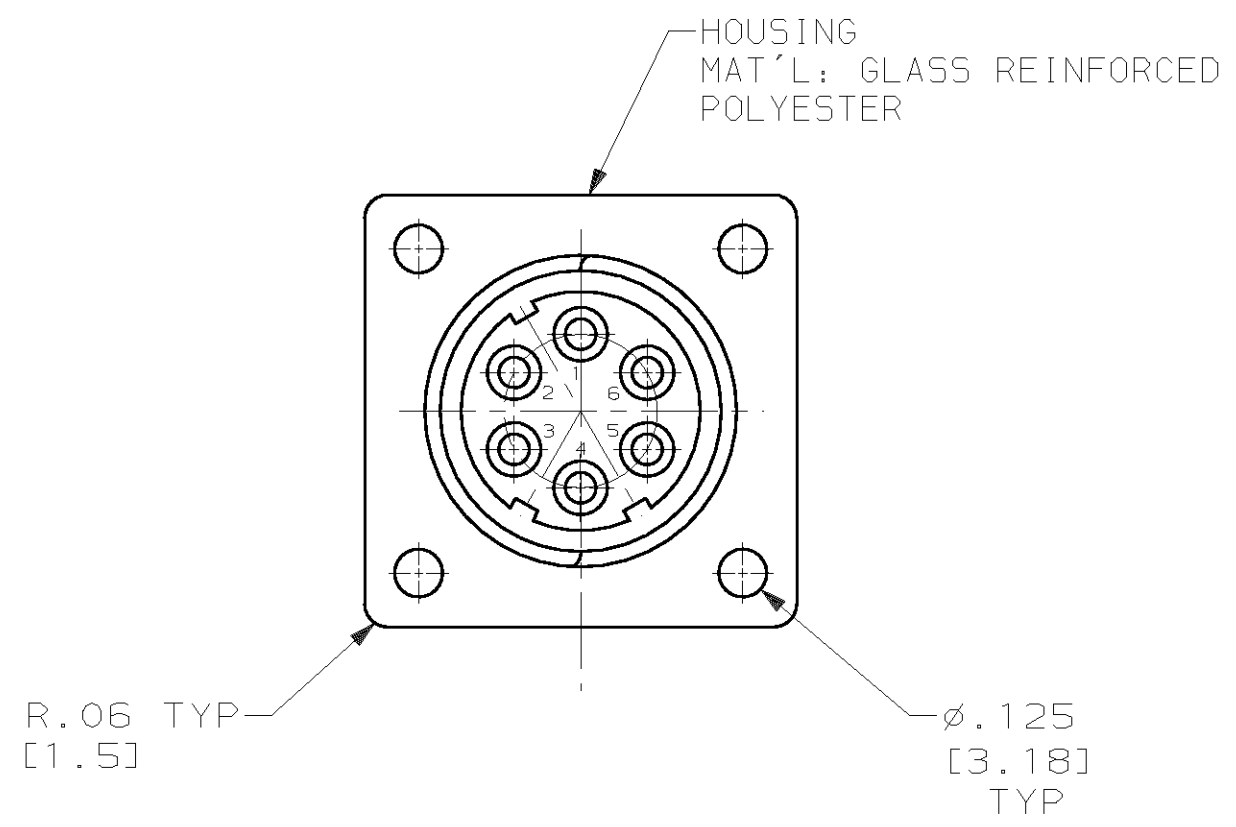
Email & Skype: info@chipsmall.com Web: www.chipsmall.com

Address: A1208, Overseas Decoration Building, #122 Zhenhua RD., Futian, Shenzhen, China



THIS DRAWING IS UNPUBLISHED. RELEASED FOR PUBLICATION
 (C) COPYRIGHT 19 BY AMP INCORPORATED. ALL RIGHTS RESERVED.

LOC	DIST	REVISIONS			
P	LTR	DESCRIPTION	DATE	DWN	APVD
DF	50	C	REV PER 063D-0115-02	4-02	CT DF



SOCKET (6) ¹
 NOT SUPPLIED WITH RECEPTACLE KIT
 FOR WIRE RANGE 20-24 AWG

- 6 SOCKETS, TIN PLATED .00015 MIN. THK. PART NUMBER 203802-6 (LOOSE PIECE). PURCHASED SEPARATELY NOT SUPPLIED WITH RECEPTACLE KIT.
- RECOMMENDED WIRE 20 - 24 AWG TEFLON COVERED WIRE .065 [1.65] DIAMETER MAX (10 KVDC RATING). GORE: F01A050, F01A060 (SUPPLIED BY CUSTOMER).
- BACK END OF CONNECTOR SHOULD BE POTTED OR PROTECTED AGAINST ARC-OVER OR BREAKDOWN WHEN OPERATING ABOVE 5 KVDC.

FIG II
(867547-2 ONLY)
ALL OTHER DIMENSIONS SAME AS -1

REMARKS	PART NUMBER
OBSELETE	SEE FIG II
	867535-2
	SEE FIG I
	867535-1

THIS DRAWING IS A CONTROLLED DOCUMENT FOR AMP INCORPORATED. IT IS SUBJECT TO CHANGE AND THE CONTROLLING ENGINEERING ORGANIZATION SHOULD BE CONTACTED FOR THE LATEST REVISION.		DWN	10-21-98	AMP Incorporated Harrisburg, PA 17105-3608
DIMENSIONS:		CHK	C.C.THOMAS	
INCHES [mm]		APVD	10/29/98	
		PRODUCT SPEC	D.EABY	
TOLERANCES UNLESS OTHERWISE SPECIFIED:		APVD	10/29/98	NAME
0 PLC ±-		APPLICATION SPEC	D.EABY	
1 PLC ±.03 [0.76]		WEIGHT	-	SIZE
3 PLC ±.015 [0.38]		CUSTOMER DRAWING	-	CAGE CODE
4 PLC ±-		SCALE	2:1	DRAWING NO
ANGLES ±-		SHEET	1	OF
FINISH -		REV	1	C

867535