



Chipsmall Limited consists of a professional team with an average of over 10 year of expertise in the distribution of electronic components. Based in Hongkong, we have already established firm and mutual-benefit business relationships with customers from,Europe,America and south Asia,supplying obsolete and hard-to-find components to meet their specific needs.

With the principle of “Quality Parts,Customers Priority,Honest Operation,and Considerate Service”,our business mainly focus on the distribution of electronic components. Line cards we deal with include Microchip,ALPS,ROHM,Xilinx,Pulse,ON,Everlight and Freescale. Main products comprise IC,Modules,Potentiometer,IC Socket,Relay,Connector.Our parts cover such applications as commercial,industrial, and automotives areas.

We are looking forward to setting up business relationship with you and hope to provide you with the best service and solution. Let us make a better world for our industry!



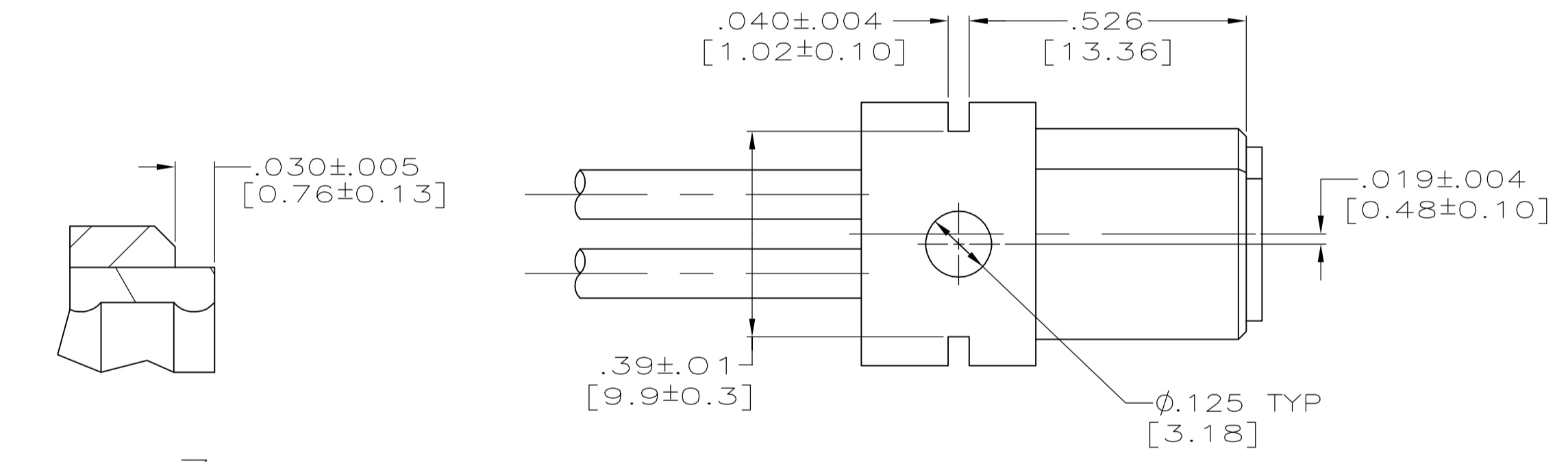
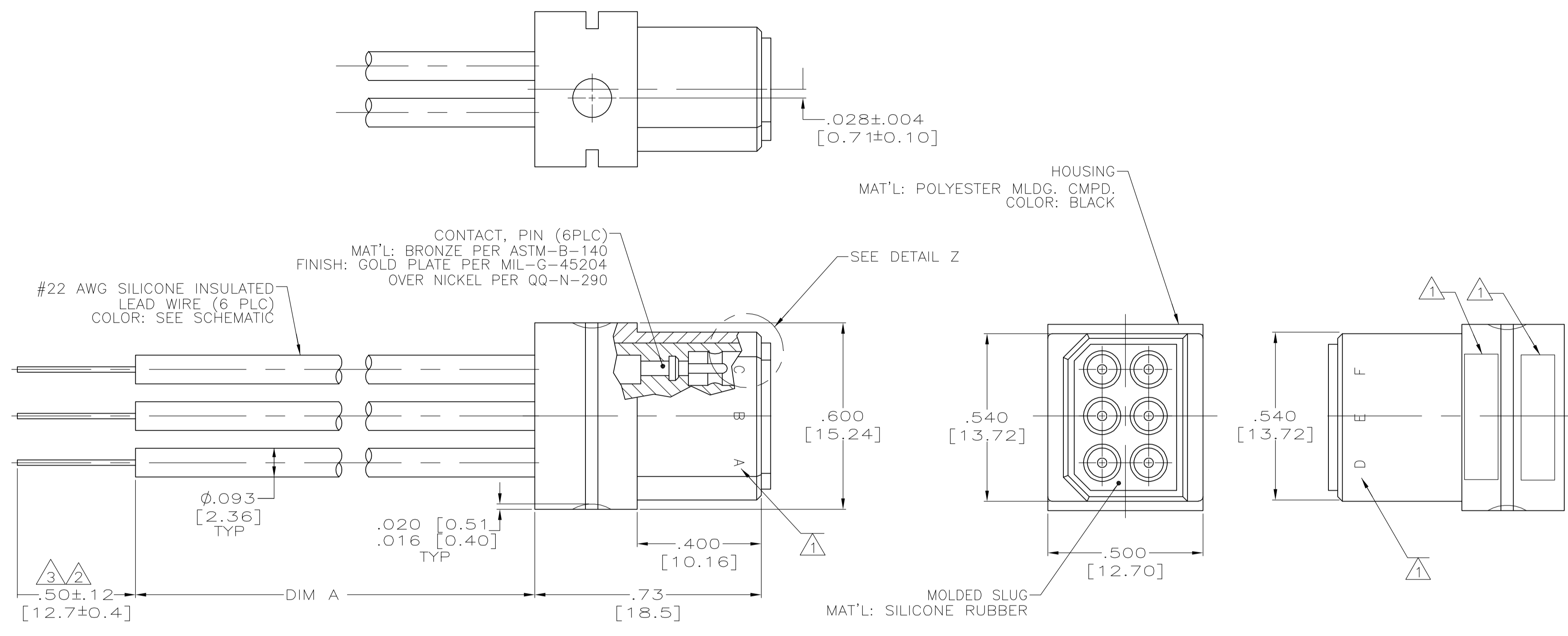
## Contact us

Tel: +86-755-8981 8866 Fax: +86-755-8427 6832

Email & Skype: info@chipsmall.com Web: www.chipsmall.com

Address: A1208, Overseas Decoration Building, #122 Zhenhua RD., Futian, Shenzhen, China





DETAIL Z  
SCALE 10:1

- |   |        |
|---|--------|
| A | YELLOW |
| B | RED    |
| C | BROWN  |
| D | BLUE   |
| E | GREEN  |
| F | BLACK  |

SCHEMATIC

- 1 AMP INFORMATION MARKED PER MIL-STD-130.
- 2 PIGTAILS ARE SOLDER-DIPPED.
- 3 INSULATION CUT, BUT NOT REMOVED.

3	15.00±.50 [381.0±12.7]	5-867622-1
2	24.00±.50 [609.6±12.7]	867622-2
2	15.00±.50 [381.0±12.7]	867622-1
REMARKS	DIM A	PART NUMBER

THIS DRAWING IS A CONTROLLED DOCUMENT.		DWG C.C.THOMAS 12-1-92	Tyco Electronics Corporation Harrisburg, Pa 17105-3608	
DIMENSIONS: INCHES		CHK D.FARY 1-11-93	Tyco Electronics	
TOLERANCES UNLESS OTHERWISE SPECIFIED:		APVD	NAME	
0 PLC ± -		PRODUCT SPEC		
1 PLC ± -		APPLICATION SPEC		
2 PLC ± .03 [0.8]		SIZE		
3 PLC ± .015 [0.38]		CAGE CODE		
4 PLC ± -		DRAWING NO		
ANGLES ± -		RESTRICTED TO		
FINISH SEE CALLOUTS		WEIGHT		
MATERIAL SEE CALLOUTS		A1 00779 C=867622		
CUSTOMER DRAWING		SCALE 4:1 SHEET 1 OF 1 REV H		