



Chipsmall Limited consists of a professional team with an average of over 10 year of expertise in the distribution of electronic components. Based in Hongkong, we have already established firm and mutual-benefit business relationships with customers from,Europe,America and south Asia,supplying obsolete and hard-to-find components to meet their specific needs.

With the principle of “Quality Parts,Customers Priority,Honest Operation,and Considerate Service”,our business mainly focus on the distribution of electronic components. Line cards we deal with include Microchip,ALPS,ROHM,Xilinx,Pulse,ON,Everlight and Freescale. Main products comprise IC,Modules,Potentiometer,IC Socket,Relay,Connector.Our parts cover such applications as commercial,industrial, and automotives areas.

We are looking forward to setting up business relationship with you and hope to provide you with the best service and solution. Let us make a better world for our industry!



Contact us

Tel: +86-755-8981 8866 Fax: +86-755-8427 6832

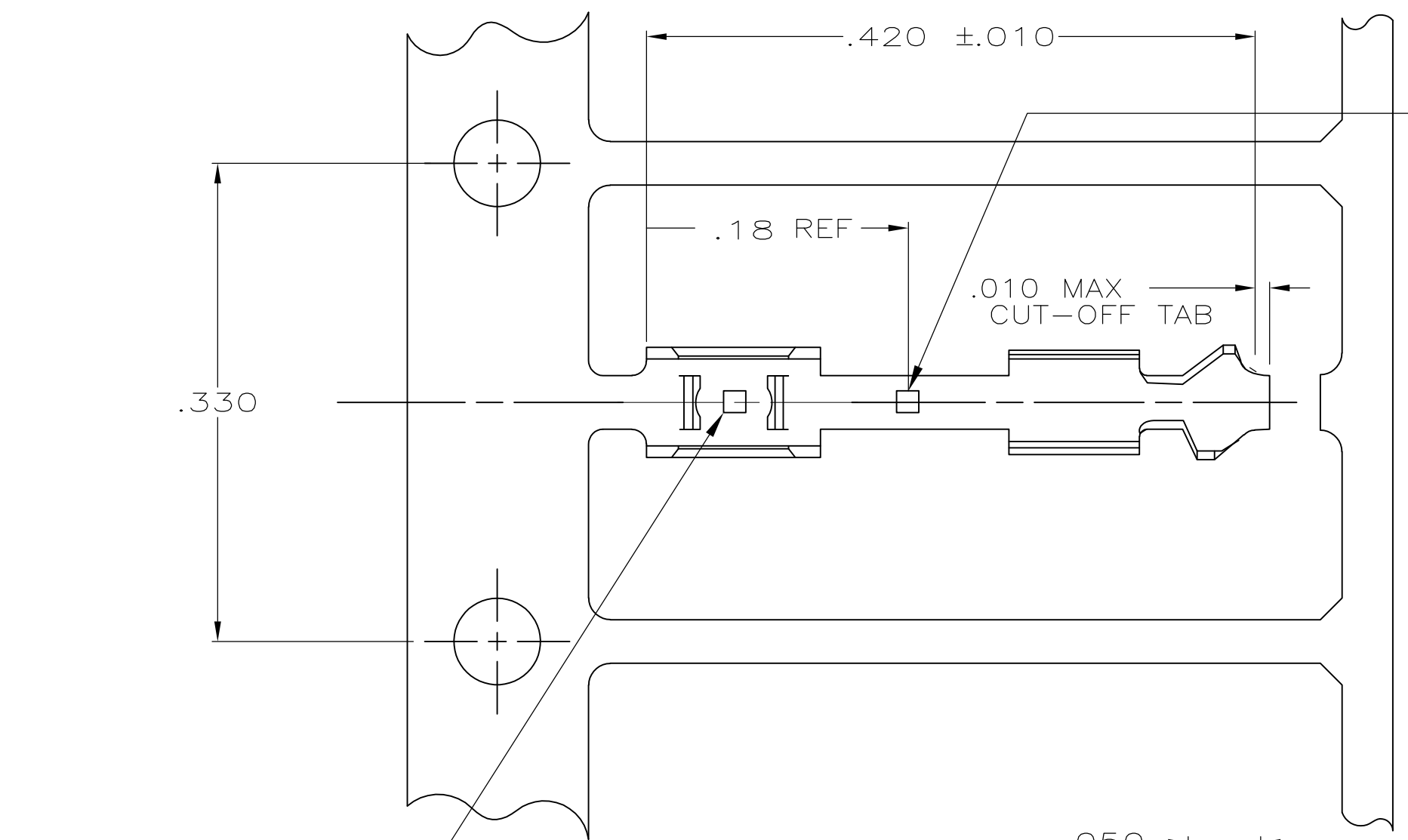
Email & Skype: info@chipsmall.com Web: www.chipsmall.com

Address: A1208, Overseas Decoration Building, #122 Zhenhua RD., Futian, Shenzhen, China



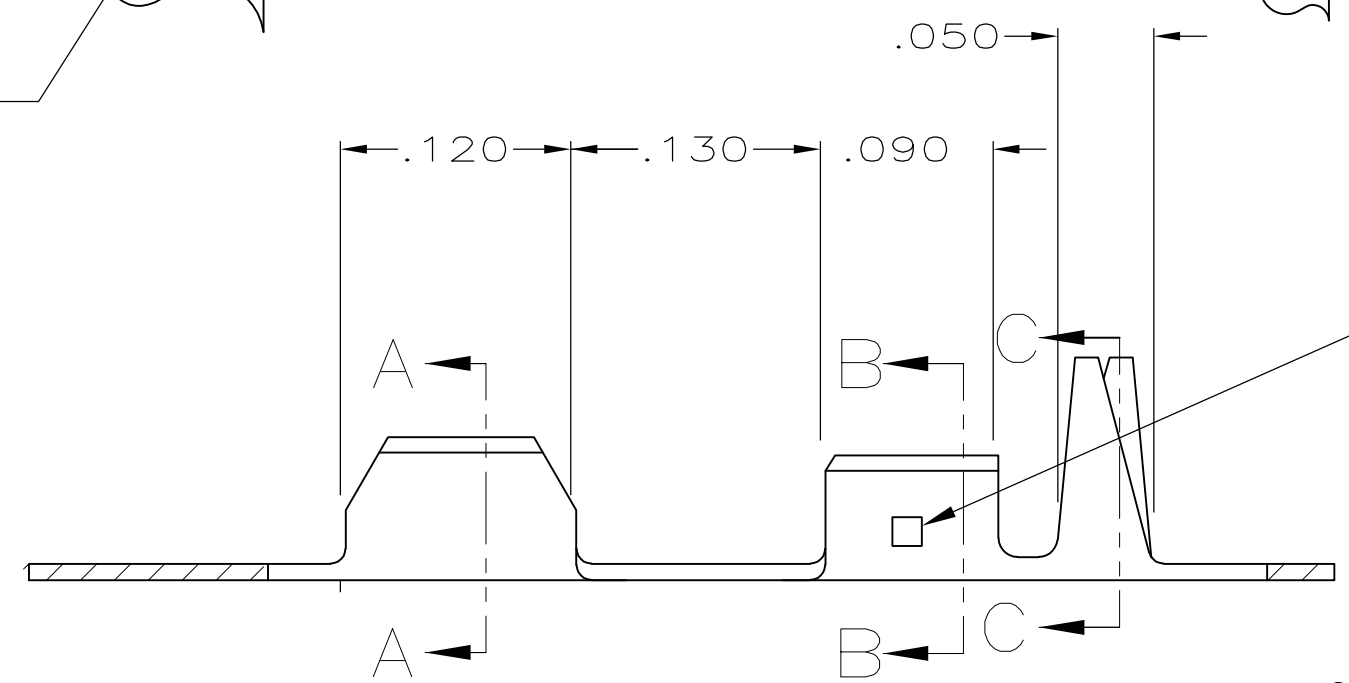
THIS DRAWING IS UNPUBLISHED. RELEASED FOR PUBLICATION
 © COPYRIGHT BY TYCO ELECTRONICS CORPORATION. ALL INTERNATIONAL RIGHTS RESERVED.

LOC	DIST	REVISIONS					
GP	00	P	LTR	DESCRIPTION	DATE	DWN	APVD
		AD		REVISED PER ECO-08-012445	20MAY08	JDP	CWR
		AD1		REVISED PER ECO-09-020932	24AUG09	KK	AEG

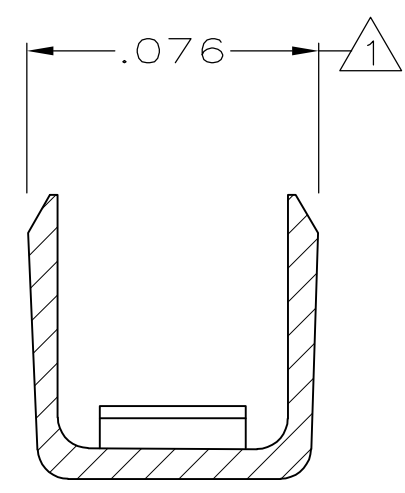


POINT OF MEASUREMENT (GOLD FLASH) $\triangle 7$

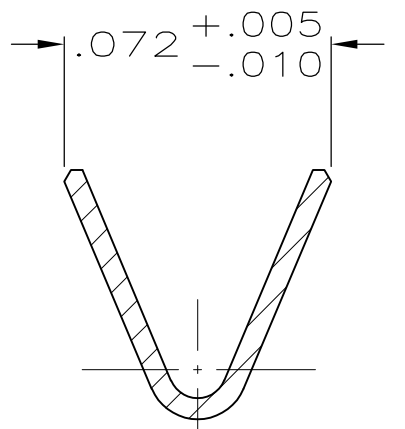
FINISH POINT OF MEASUREMENT $\triangle 4 \triangle 6$



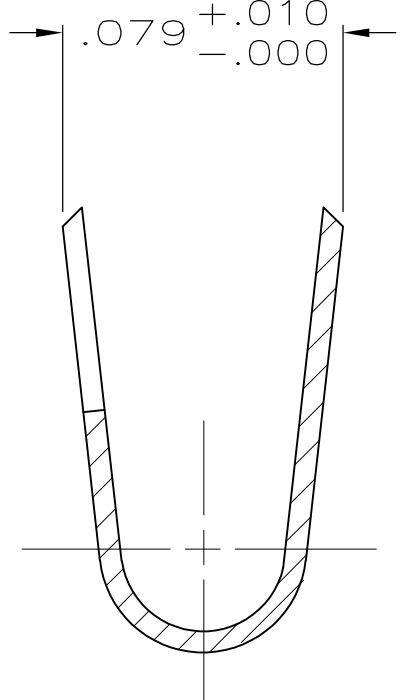
POINT OF MEASUREMENT (TIN) $\triangle 7$



SECTION A-A
SCALE 20:1



SECTION B-B
WIRE RANGE
#22-#26 AWG.
SCALE 20:1



SECTION C-C
INSULATION RANGE
 ϕ .035-.060
SCALE 20:1

- $\triangle 1$ SPLICE IS DESIGNED FOR USE WITH FLEXIBLE FLAT CONDUCTOR CABLE HAVING .015 MAX THICKNESS AND .060-.065 WIDE CONDUCTORS ON .100 MIN CENTER TO CENTER SPACING.
- $\triangle 2$ FOR MINI APPLICATOR (REF 567097-2)
- $\triangle 3$ FOR FLEXIBLE FILM TERMINATION MACHINE (REF 768600-1)
- $\triangle 4$.000015 MIN GOLD OVER
.000050 MIN NICKEL.
- $\triangle 5$.000100 MIN BRIGHT TIN-LEAD OVER
.000050 MIN NICKEL.
- $\triangle 6$.000040 MIN SILVER OVER
.000050 MIN NICKEL.
- $\triangle 7$.000100 MIN TIN IN WIRE BARREL,
GOLD FLASH IN FFC BARREL, BOTH OVER
.000050 MIN NICKEL.
- $\triangle 8$ OBSOLETE PARTS: OBSOLETE CIS STREAMLINING PER D.RENAUD/D.SINISI

SUPERSEDED BY 86773-7
 $\triangle 8$ OBSOLETE
 SUPERSEDED BY 86773-8

LOOSE PIECE PART NUMBER	FINISH	PART NUMBER
-	$\triangle 7$	$\triangle 3$ 86773-8
-	$\triangle 7$	$\triangle 2$ 86773-7
-	$\triangle 5$	$\triangle 2$ 86773-6
-	$\triangle 6$	86773-5
-	$\triangle 5$	$\triangle 3$ 86773-4
86774-1	$\triangle 4$	$\triangle 3$ 86773-3
-	$\triangle 4$	$\triangle 2$ 86773-2

THIS DRAWING IS A CONTROLLED DOCUMENT.		DWN K. HELM 12-14-88	Tyco Electronics Corporation Harrisburg, PA 17105-3608	
DIMENSIONS: INCHES		CHK D.L. ROCKER 2-17-89	NAME G.D. MILLER 2-17-89	
TOLERANCES UNLESS OTHERWISE SPECIFIED:		APVD G.D. MILLER 2-17-89	PRODUCT SPEC 108-9024	
0 PLC ± -		APPLICATION SPEC 114-16002,03	SIZE A2	CAGE CODE 00779
1 PLC ± -		WEIGHT -	DRAWING NO C=86773	RESTRICTED TO -
2 PLC ± -		MATERIAL PHOSPHOR BRONZE	SCALE 10:1	SHEET 1 of 1
3 PLC ± .005		FINISH SEE TABLE	CUSTOMER DRAWING	REV AD1
4 PLC ± -				
ANGLES ± -				