



Chipsmall Limited consists of a professional team with an average of over 10 year of expertise in the distribution of electronic components. Based in Hongkong, we have already established firm and mutual-benefit business relationships with customers from,Europe,America and south Asia,supplying obsolete and hard-to-find components to meet their specific needs.

With the principle of “Quality Parts,Customers Priority,Honest Operation,and Considerate Service”,our business mainly focus on the distribution of electronic components. Line cards we deal with include Microchip,ALPS,ROHM,Xilinx,Pulse,ON,Everlight and Freescale. Main products comprise IC,Modules,Potentiometer,IC Socket,Relay,Connector.Our parts cover such applications as commercial,industrial, and automotives areas.

We are looking forward to setting up business relationship with you and hope to provide you with the best service and solution. Let us make a better world for our industry!



## Contact us

Tel: +86-755-8981 8866 Fax: +86-755-8427 6832

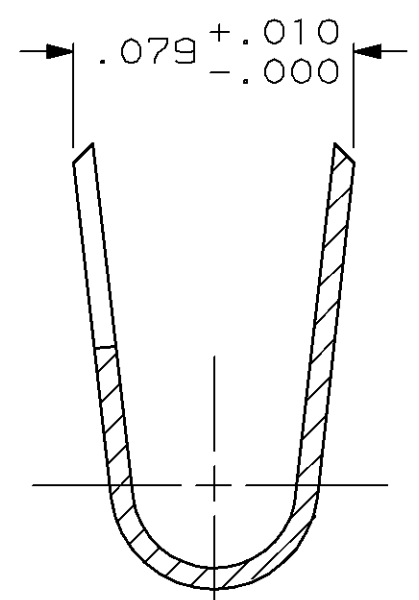
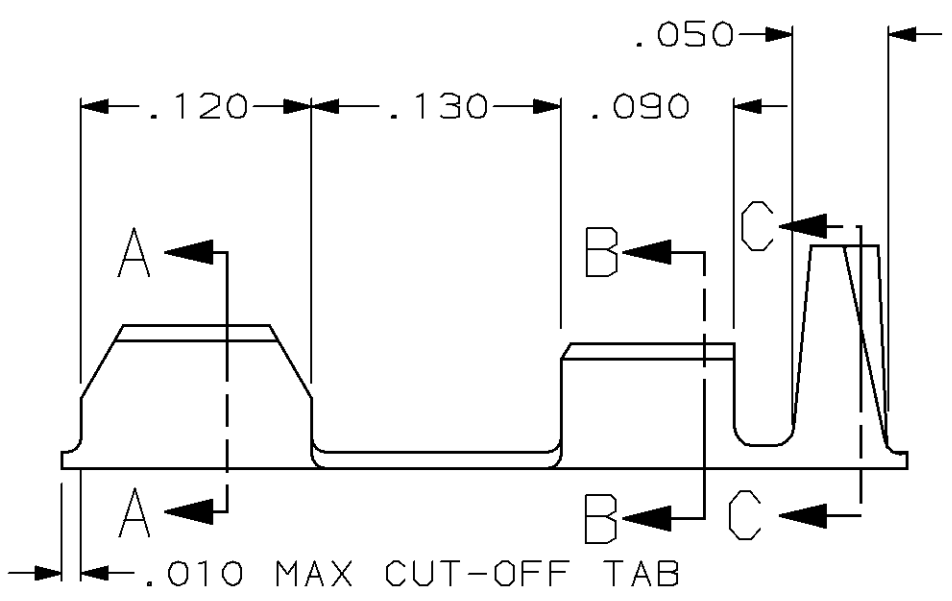
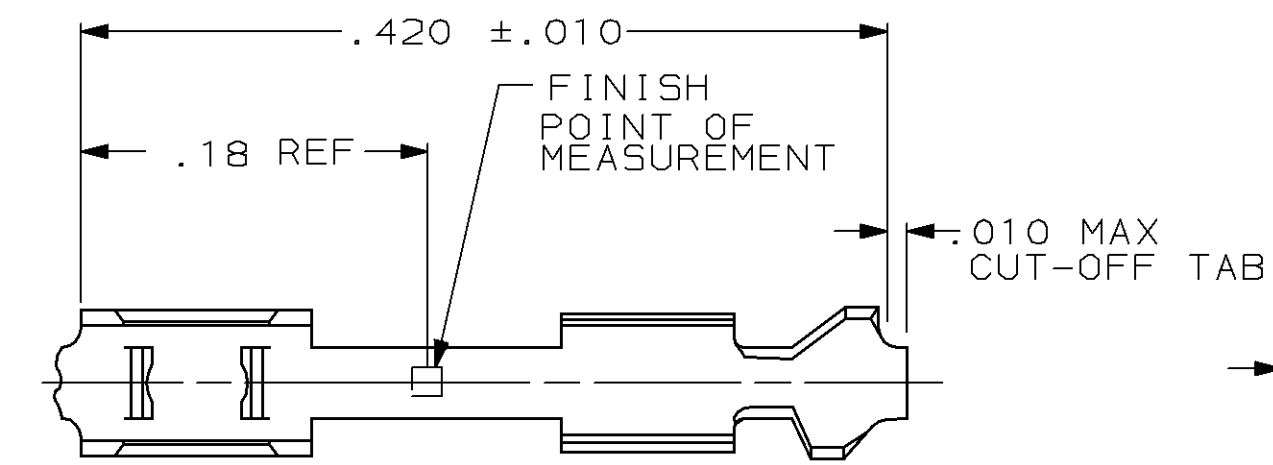
Email & Skype: info@chipsmall.com Web: www.chipsmall.com

Address: A1208, Overseas Decoration Building, #122 Zhenhua RD., Futian, Shenzhen, China



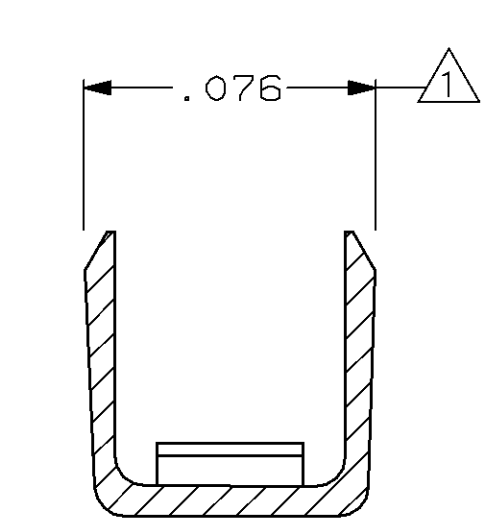
THIS DRAWING IS UNPUBLISHED. RELEASED FOR PUBLICATION ,19 .  
 © COPYRIGHT 19 BY AMP INCORPORATED. ALL INTERNATIONAL RIGHTS RESERVED.

LOC	DIST	P	F	REVISIONS				
				ZONE	LTR	DESCRIPTION	DATE	APPD
AR	39				C	REDRAW PER ECN 2252	1/12/89	KIH
					D	REV PER ECN AR2719	11-01-89	KIH
					E	REV PER ECN BD3842	4-18-90	-
					F	REV PER EC 0020-1550-93	01/25/94	GDM

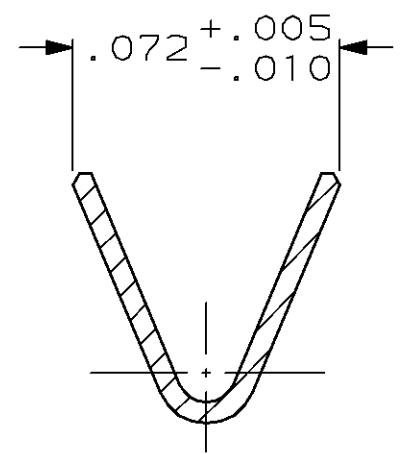


SECT. C-C  
 INSULATION RANGE  
 ∅.035-.060  
 SCALE 20:1

- ① SPLICE IS DESIGNED FOR USE WITH FLEXIBLE FLAT CONDUCTOR CABLE HAVING .015 MAX. THICKNESS AND .060-.065 WIDE CONDUCTORS ON .100 MIN. CENTER TO CENTER SPACING.
- ② OBSOLETE PART NUMBER



SECT. A-A  
 SCALE 20:1



SECT. B-B  
 WIRE RANGE  
 #22-#26 AWG.  
 SCALE 20:1

BRIGHT TIN/LEAD .000100 MIN THK OVER NICKEL .000050 MIN THK OVER ENTIRE CONTACT		②	86774-2
GOLD .000015 OVER NICKEL .000050 MIN THK ON ENTIRE CONTACT			86774-1
FINISH		PART NO	
DO NOT SCALE PRINT. UNLESS SPECIFIED DIMENSIONS IN INCHES TOLERANCES ON: 2 PLC DEC ± - 3 PLC DEC ± .005 ANGLES ± -	DR 1-12-89 K. HELM CHK 2-14-89 D.L. ROCKER APPD 2-17-89 W.T. PARKER APPD 2-16-89 G.D. MILLER PRODUCT SPEC 108-9024	<b>AMP</b>   AMP INCORPORATED Harrisburg, Pa. 17105 NAME SPLICE CONTACT, STD CRIMP FLAT CABLE TO ROUND WIRE 26-22 AWG, LOOSE PIECE	
MATERIAL PHOSPHOR BRONZE	FINISH SEE CHART	SIZE <b>B</b>	FSCM NO 00779
		DRAWING NO 86774	
		SCALE 10:1	SHEET 1 OF 1