



Chipsmall Limited consists of a professional team with an average of over 10 year of expertise in the distribution of electronic components. Based in Hongkong, we have already established firm and mutual-benefit business relationships with customers from,Europe,America and south Asia,supplying obsolete and hard-to-find components to meet their specific needs.

With the principle of “Quality Parts,Customers Priority,Honest Operation,and Considerate Service”,our business mainly focus on the distribution of electronic components. Line cards we deal with include Microchip,ALPS,ROHM,Xilinx,Pulse,ON,Everlight and Freescale. Main products comprise IC,Modules,Potentiometer,IC Socket,Relay,Connector.Our parts cover such applications as commercial,industrial, and automotives areas.

We are looking forward to setting up business relationship with you and hope to provide you with the best service and solution. Let us make a better world for our industry!



Contact us

Tel: +86-755-8981 8866 Fax: +86-755-8427 6832

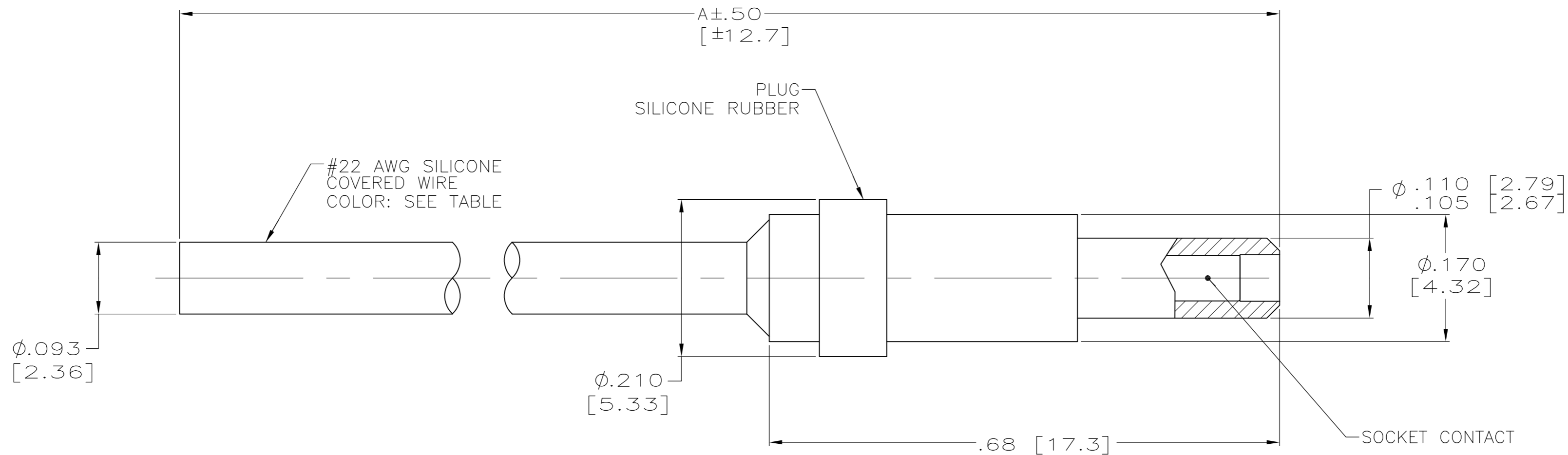
Email & Skype: info@chipsmall.com Web: www.chipsmall.com

Address: A1208, Overseas Decoration Building, #122 Zhenhua RD., Futian, Shenzhen, China



THIS DRAWING IS UNPUBLISHED. RELEASED FOR PUBLICATION
 © COPYRIGHT - By - ALL RIGHTS RESERVED.

LOC	DIST	REVISIONS					
DF	S0	P	LTR	DESCRIPTION	DATE	DWN	APVD
		F1		REVISED PER ECO-11-005030	11MAR11	RK	HMR



1. MARKED PER MIL-STD-130.
2. THIS PRODUCT IS RATED TO 125° C.

WHITE	40.00 [1016.0]	867823-6
WHITE	6.00 [152.4]	867823-5
WHITE	36.00 [914.4]	867823-4
GREEN	36.00 [914.4]	867823-3
WHITE	30.00 [762.0]	867823-2
WHITE	15.00 [381.0]	867823-1
WIRE COLOR	DIM A	PART NO.

THIS DRAWING IS A CONTROLLED DOCUMENT.		DWN	C.C.THOMAS	8-23-95																			
DIMENSIONS: INCHES [mm]		CHK	D.EABY	8-28-95																			
TOLERANCES UNLESS OTHERWISE SPECIFIED:		APVD	D.EABY	8-28-95																			
<table border="1"> <tr><td>0 PLC</td><td>±</td><td>-</td></tr> <tr><td>1 PLC</td><td>±</td><td>-</td></tr> <tr><td>2 PLC</td><td>±</td><td>.03 [0.8]</td></tr> <tr><td>3 PLC</td><td>±</td><td>.015 [0.38]</td></tr> <tr><td>4 PLC</td><td>±</td><td>-</td></tr> <tr><td>ANGLES</td><td>±</td><td>-</td></tr> </table>		0 PLC	±	-		1 PLC	±	-	2 PLC	±	.03 [0.8]	3 PLC	±	.015 [0.38]	4 PLC	±	-	ANGLES	±	-	PRODUCT SPEC	-	NAME
0 PLC	±	-																					
1 PLC	±	-																					
2 PLC	±	.03 [0.8]																					
3 PLC	±	.015 [0.38]																					
4 PLC	±	-																					
ANGLES	±	-																					
MATERIAL	-	FINISH	-	APPLICATION SPEC	-																		
WEIGHT		-	SIZE	A2	CAGE CODE	00779	DRAWING NO	C=867823	RESTRICTED TO	-													
CUSTOMER DRAWING		SCALE	8:1	SHEET	1 OF 1	REV	F1																