



Chipsmall Limited consists of a professional team with an average of over 10 year of expertise in the distribution of electronic components. Based in Hongkong, we have already established firm and mutual-benefit business relationships with customers from,Europe,America and south Asia,supplying obsolete and hard-to-find components to meet their specific needs.

With the principle of “Quality Parts,Customers Priority,Honest Operation,and Considerate Service”,our business mainly focus on the distribution of electronic components. Line cards we deal with include Microchip,ALPS,ROHM,Xilinx,Pulse,ON,Everlight and Freescale. Main products comprise IC,Modules,Potentiometer,IC Socket,Relay,Connector.Our parts cover such applications as commercial,industrial, and automotives areas.

We are looking forward to setting up business relationship with you and hope to provide you with the best service and solution. Let us make a better world for our industry!



Contact us

Tel: +86-755-8981 8866 Fax: +86-755-8427 6832

Email & Skype: info@chipsmall.com Web: www.chipsmall.com

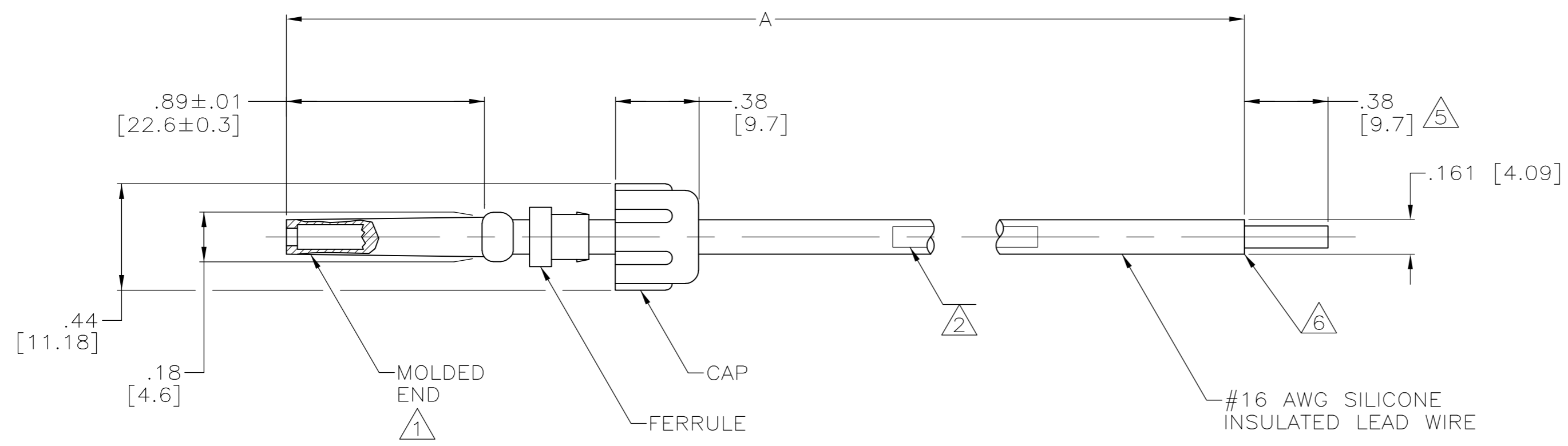
Address: A1208, Overseas Decoration Building, #122 Zhenhua RD., Futian, Shenzhen, China



THIS DRAWING IS UNPUBLISHED. RELEASED FOR PUBLICATION - N/A .
 © COPYRIGHT N/A By - ALL RIGHTS RESERVED.

LOC		DIST		REVISIONS			
P	LTR	DESCRIPTION	DATE	DWN	APVD		
J		REV PER ECO 15-016686	11-23-15	CT	DM		

- 1 TO MATE WITH AMP LGH-1/2L RECEPTACLE WITH A .89 BARREL LENGTH.
- 2 MARKED PER MIL-STD-130.
- 3. OPERATING CONDITIONS: 15KVDC TO 70,000 FEET AT -55°C TO +125°C.
- 4. DIMENSIONS IN BRACKETS ARE IN MILLIMETERS. METRIC EQUIVALENTS ARE BASED UPON 1.00 inch = 25.4 mm.
- 5 PIGTAIL IS SOLDER DIPPED.
- 6 INSULATION CUT, BUT NOT REMOVED.



REMARKS	A	WIRE COLOR	PART NUMBER
	36.00±.36 [914.4±9.2]	RED	5-867938-5
	24.00 [609.6]	GREEN	5-867938-4
	8.00 [203.2]	RED	5-867938-1
NOT RELEASED	20.00 [508]	RED	1-867938-2
NOT RELEASED	24.00 [609.6]	RED	1-867938-1
	18.00 [457.2]	RED	1-867938-0
NOT RELEASED	18.00 [457.2]	GREEN	867938-9
NOT RELEASED	12.00 [304.8]	RED	867938-8
	12.00 [304.8]	GREEN	867938-7
NOT RELEASED	-	-	867938-6
	36.00±.36 [914.4±9.2]	RED	867938-5
	24.00 [609.6]	GREEN	867938-4
	40.00±.40 [1016±10.2]	RED	867938-3
	26.40±.26 [670.6±6.7]	RED	867938-2
	8.00 [203.2]	RED	867938-1

THIS DRAWING IS A CONTROLLED DOCUMENT.

DWN T.SHUEY 18-AUG-89		LEAD ASSY POSITIVE STOP LGH-1/2L		
CHK G.SCHAFFER 05-SEP-89				
APVD W.SHATTO 05-SEP-89				
PRODUCT SPEC				
APPLICATION SPEC	SIZE A2	CAGE CODE 00779	DRAWING NO C=867938	RESTRICTED TO -
MATERIAL -	WEIGHT -	SCALE 2:1	SHEET 1 of 1	REV J

CUSTOMER DRAWING

867938