



Chipsmall Limited consists of a professional team with an average of over 10 year of expertise in the distribution of electronic components. Based in Hongkong, we have already established firm and mutual-benefit business relationships with customers from,Europe,America and south Asia,supplying obsolete and hard-to-find components to meet their specific needs.

With the principle of “Quality Parts,Customers Priority,Honest Operation,and Considerate Service”,our business mainly focus on the distribution of electronic components. Line cards we deal with include Microchip,ALPS,ROHM,Xilinx,Pulse,ON,Everlight and Freescale. Main products comprise IC,Modules,Potentiometer,IC Socket,Relay,Connector.Our parts cover such applications as commercial,industrial, and automotives areas.

We are looking forward to setting up business relationship with you and hope to provide you with the best service and solution. Let us make a better world for our industry!



Contact us

Tel: +86-755-8981 8866 Fax: +86-755-8427 6832

Email & Skype: info@chipsmall.com Web: www.chipsmall.com

Address: A1208, Overseas Decoration Building, #122 Zhenhua RD., Futian, Shenzhen, China



DRAWING MADE IN THIRD ANGLE PROJECTION

3

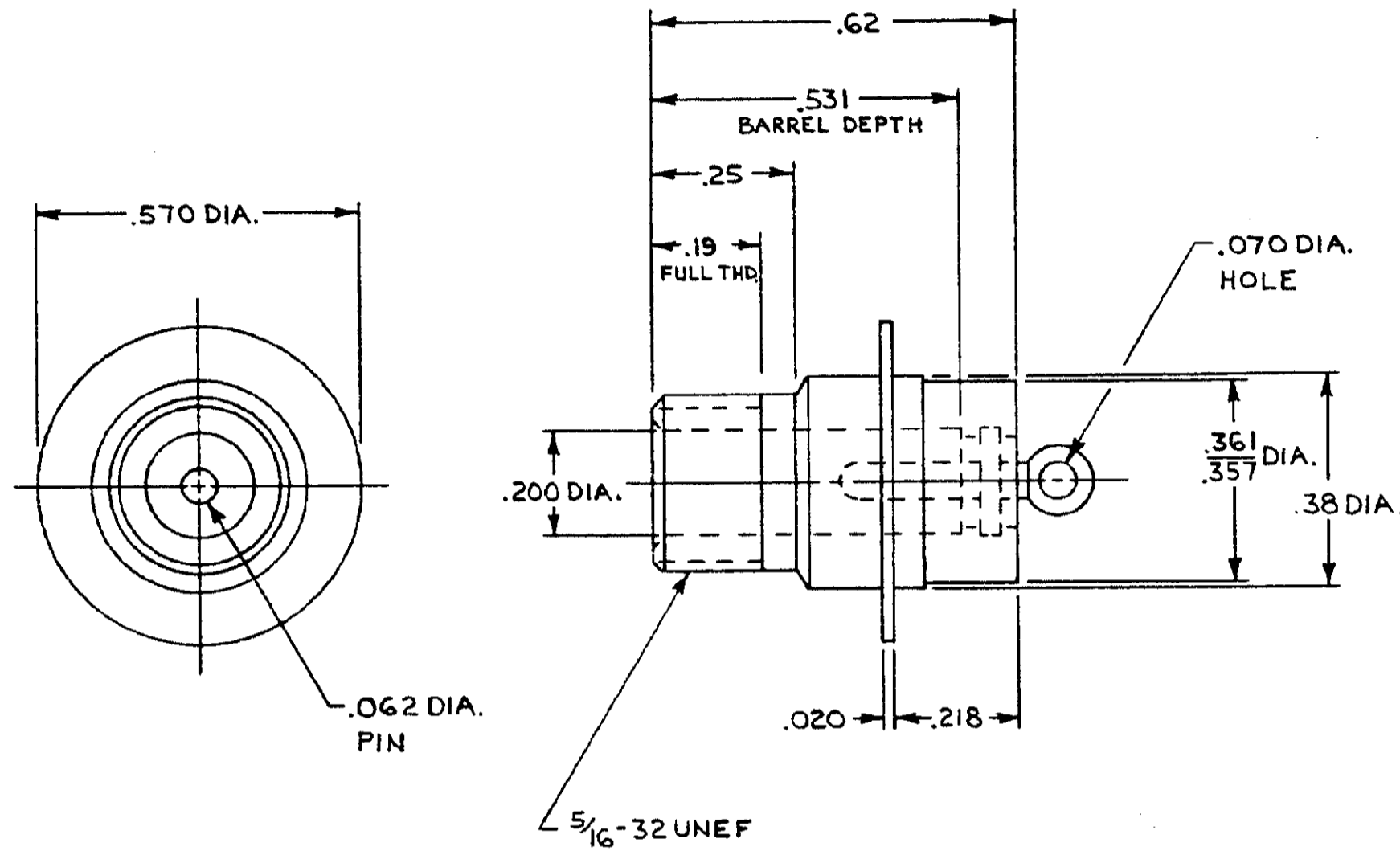
2

1

LOC DF 50

THIS DRAWING IS UNPUBLISHED. RELEASED FOR PUBLICATION 19
 © COPYRIGHT 19 BY AMP INCORPORATED, HARRISBURG, PA. ALL INTERNATIONAL RIGHTS RESERVED. AMP PRODUCTS MAY BE COVERED BY U.S. AND FOREIGN PATENTS AND/OR PATENTS PENDING.

		REVISIONS				
P	F	ZONE	LTR	DESCRIPTION	DATE	APPROVED
0	✓		0	RELEASE.	RPH	3/23/84
✓			A	REV PER 0600-0043-93	TE	DE. 5-24-93



1. THIS RECEPTACLE IS HERMETICALLY SEALED.
2. SCREW THREAD MEASUREMENT IN ACCORDANCE WITH H28 HANDBOOK. (3 WIRE METHOD). USING WIRE .01804 DIA. MEASUREMENT OVER WIRE SHALL BE .318/.307.

UNLESS OTHERWISE SPECIFIED DIMENSIONS ARE IN INCHES. TOLERANCES ON: DECIMALS XX±.01 XXX±.005		CONTRACT NO		AS SHOWN		867942-1	
MATERIAL MOLDED GLASS EPOXY		DR R. B. Hepner 3-23-84		DESCRIPTION		PART NO	
FINISH BLACK		CHK		NAME		AMP AMP INCORPORATED Harrisburg, Pa. 17105	
		APPD W. J. [Signature] 3/23/84		FLANGED RECEPTACLE LGH-1/2			
		DSGN APPD		SIZE	FSCM NO	DRAWING NO	
		OTHER APPD		C	00779	867942	
				SCALE	NTS	SHEET 1/1	

CUSTOMER DRAWING