



Chipsmall Limited consists of a professional team with an average of over 10 year of expertise in the distribution of electronic components. Based in Hongkong, we have already established firm and mutual-benefit business relationships with customers from,Europe,America and south Asia,supplying obsolete and hard-to-find components to meet their specific needs.

With the principle of “Quality Parts,Customers Priority,Honest Operation,and Considerate Service”,our business mainly focus on the distribution of electronic components. Line cards we deal with include Microchip,ALPS,ROHM,Xilinx,Pulse,ON,Everlight and Freescale. Main products comprise IC,Modules,Potentiometer,IC Socket,Relay,Connector.Our parts cover such applications as commercial,industrial, and automotives areas.

We are looking forward to setting up business relationship with you and hope to provide you with the best service and solution. Let us make a better world for our industry!



Contact us

Tel: +86-755-8981 8866 Fax: +86-755-8427 6832

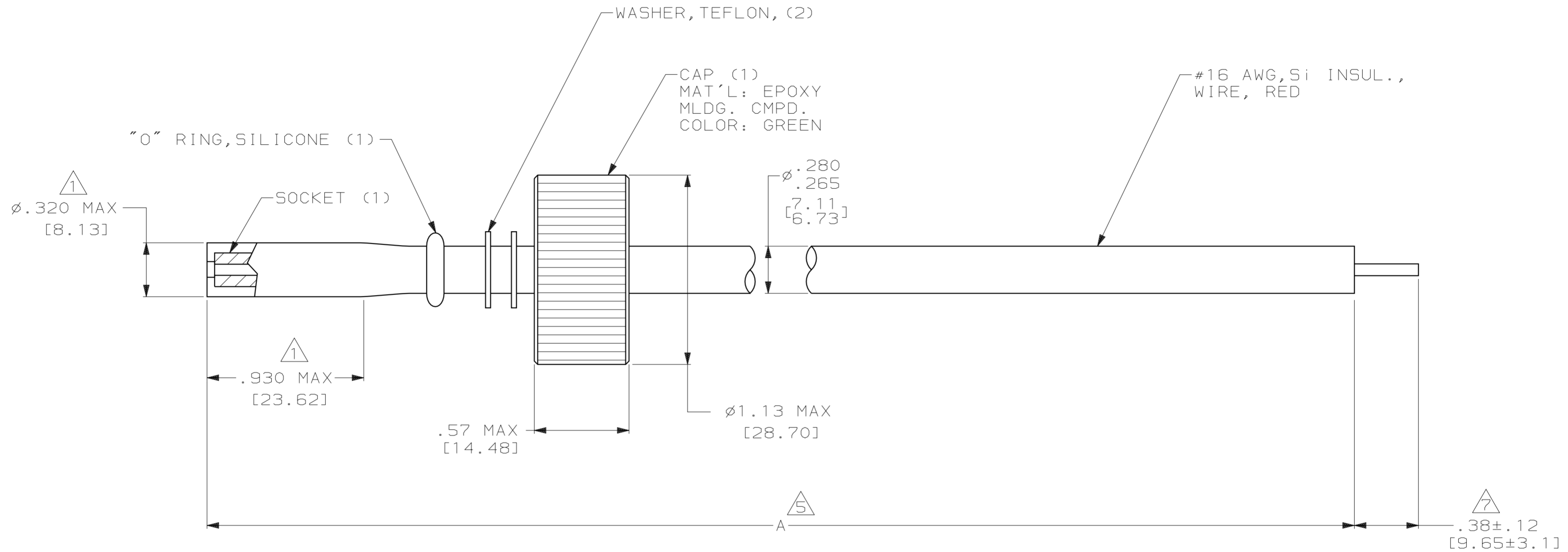
Email & Skype: info@chipsmall.com Web: www.chipsmall.com

Address: A1208, Overseas Decoration Building, #122 Zhenhua RD., Futian, Shenzhen, China



THIS DRAWING IS UNPUBLISHED. RELEASED FOR PUBLICATION, 19 .
 © COPYRIGHT 19 BY AMP INCORPORATED. ALL INTERNATIONAL RIGHTS RESERVED.

PROD CODE	LOC	DIST	P	F	ZONE	LTR	DESCRIPTION	DATE	APPD
4089	DF	50				B	REV & REDRAWN PER DF-2034	CCT	-



- 1. $\phi .320$ MAX DIMENSION HELD OVER THE $.930$ MAX AREA ONLY.
- 2. MARKED PER MIL-STD-130.
- 3. DIMENSIONS IN BRACKETS ARE IN MILLIMETERS. METRIC EQUIVALENTS ARE BASED UPON 1.00 INCH = 25.4 mm.
- 4. LEADS WILL MATE WITH AMP LGH-3 RECEPTACLES.
- 5. TOLERANCE OF LEAD LENGTH:
 UP TO 24 INCHES [609.6] = $\pm .12$ [± 3.1]
 24 INCHES [609.6] & UP = $\pm 1\%$
- 6. OPERATING VOLTAGE: 40 KVDC AT 0 TO 70,000 FEET, -55°C TO 125°C .
- 7. PIGTAIL IS SOLDER DIPPED.

8.00 [203.2]	867947-2
12.00 [304.8]	867947-1
5 A DIM	PART NO

DO NOT SCALE PRINT. UNLESS SPECIFIED DIMENSIONS IN INCHES [mm] TOLERANCES ON:		DR 10-4-89 C.C. THOMAS		AMP INCORPORATED Harrisburg, Pa. 17105	
MATERIAL		CHK -			
SEE CALLOUTS		APPD -		NAME	
FINISH		APPD -		LEAD ASS'Y, SGL. END	
		PRODUCT SPEC		LGH-3 (RED)	
		APPLICATION SPEC		SIZE	FSCM NO
		WEIGHT -		C	00779
				SCALE	DRAWING NO
				2:1	867947
					SHEET
					1 OF 1