



Chipsmall Limited consists of a professional team with an average of over 10 year of expertise in the distribution of electronic components. Based in Hongkong, we have already established firm and mutual-benefit business relationships with customers from,Europe,America and south Asia,supplying obsolete and hard-to-find components to meet their specific needs.

With the principle of “Quality Parts,Customers Priority,Honest Operation,and Considerate Service”,our business mainly focus on the distribution of electronic components. Line cards we deal with include Microchip,ALPS,ROHM,Xilinx,Pulse,ON,Everlight and Freescale. Main products comprise IC,Modules,Potentiometer,IC Socket,Relay,Connector.Our parts cover such applications as commercial,industrial, and automotives areas.

We are looking forward to setting up business relationship with you and hope to provide you with the best service and solution. Let us make a better world for our industry!



Contact us

Tel: +86-755-8981 8866 Fax: +86-755-8427 6832

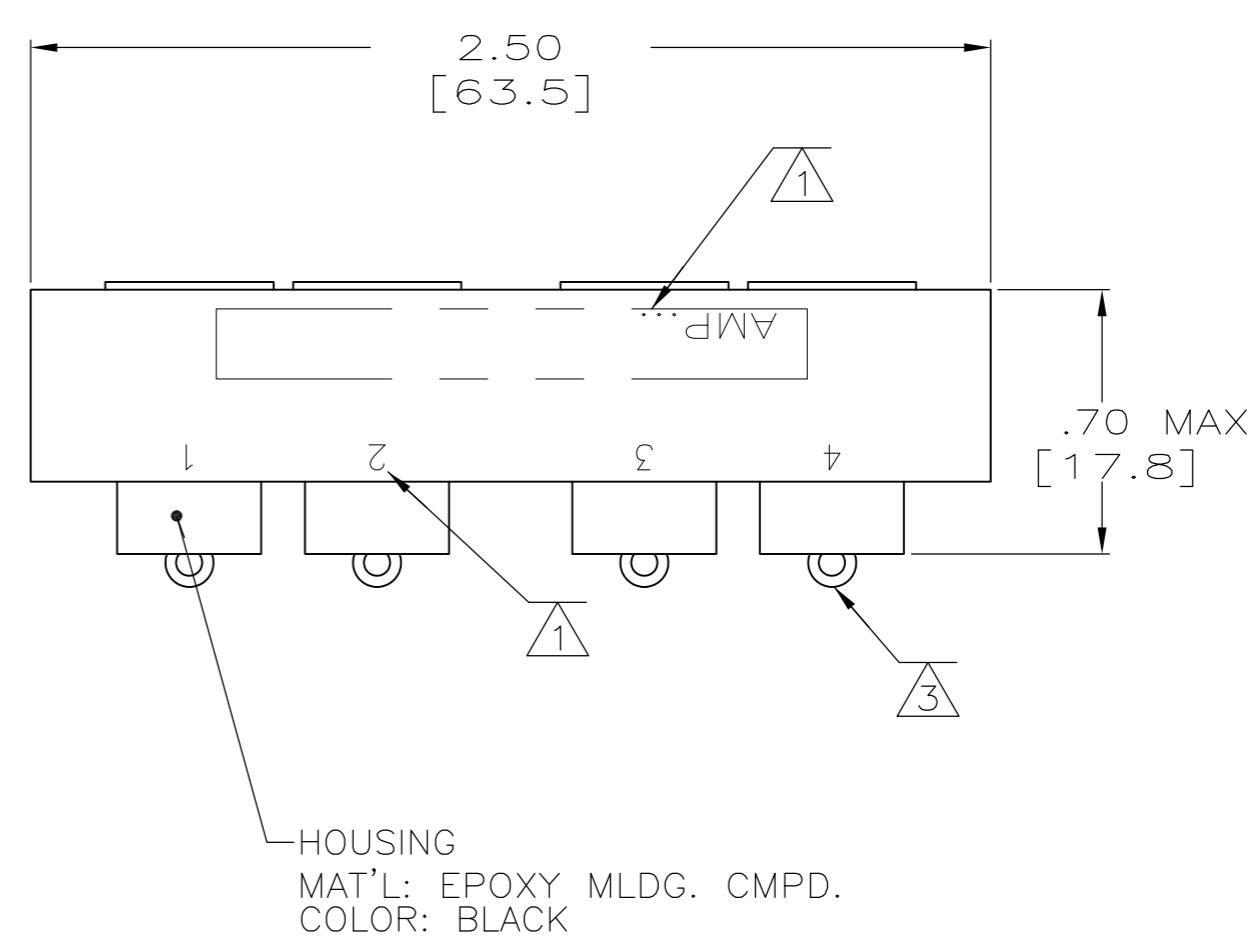
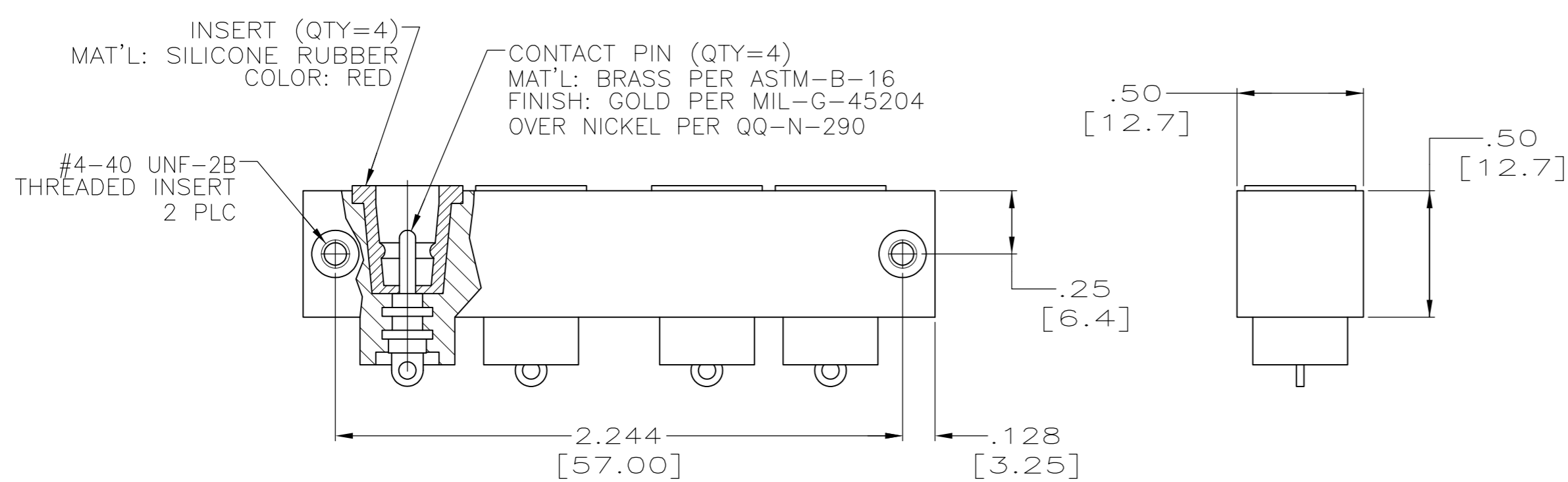
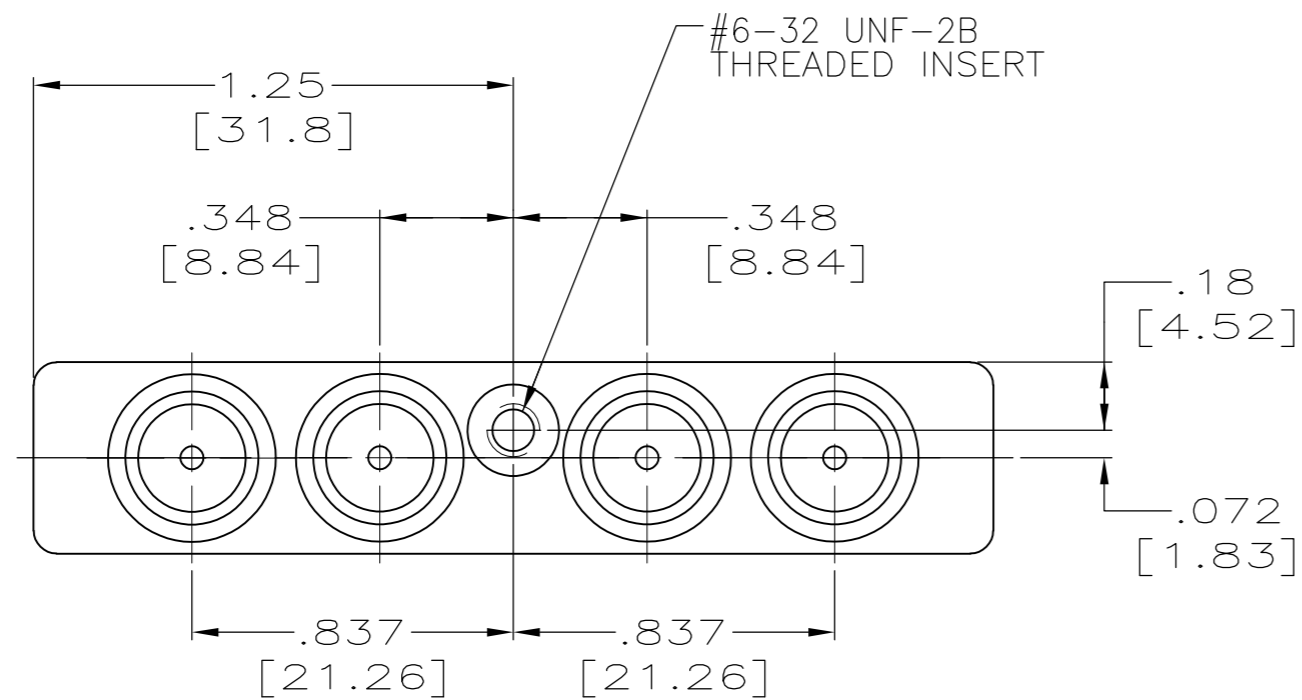
Email & Skype: info@chipsmall.com Web: www.chipsmall.com

Address: A1208, Overseas Decoration Building, #122 Zhenhua RD., Futian, Shenzhen, China



THIS DRAWING IS UNPUBLISHED. RELEASED FOR PUBLICATION
 © COPYRIGHT - By - ALL RIGHTS RESERVED.

LOC		DIST		REVISIONS			
P	LTR	DESCRIPTION		DATE	DWN	APVD	
DF	S0	C	REV PER ECO-12-006967	26APR12	PY	DE	



- 1 MARKED PER MIL-STD-130.
- 2. REQUIREMENTS: 31 KVDC AT SEA LEVEL FOR 2 MIN. IR: 5000 MEGOHMS MIN.
- 3 PIN CONTACT EYELETS ARE PRE-TINNED PER MIL-T-10727.

867948-1
PART NO.

THIS DRAWING IS A CONTROLLED DOCUMENT.		DWN	C.C.THOMAS	11-5-92		TE Connectivity					
DIMENSIONS: INCHES		CHK	S.GLATFELTER	11-9-92		RCPT. BLOCK,4 POSN.,LGH					
TOLERANCES UNLESS OTHERWISE SPECIFIED:		APVD	-	-		SIZE	CAGE CODE	DRAWING NO			
0 PLC ± - 1 PLC ± - 2 PLC ± .02 [0.5] 3 PLC ± .010 [0.25] 4 PLC ± - ANGLES ± -		PRODUCT SPEC	-	-		A2	00779	C=867948			
MATERIAL SEE CALLOUTS		FINISH	SEE CALLOUTS	WEIGHT	-	SCALE	21:1	SHEET	1 of 1	REV	C
		CUSTOMER DRAWING				CUSTOMER DRAWING					

867948