



Chipsmall Limited consists of a professional team with an average of over 10 year of expertise in the distribution of electronic components. Based in Hongkong, we have already established firm and mutual-benefit business relationships with customers from,Europe,America and south Asia,supplying obsolete and hard-to-find components to meet their specific needs.

With the principle of “Quality Parts,Customers Priority,Honest Operation,and Considerate Service”,our business mainly focus on the distribution of electronic components. Line cards we deal with include Microchip,ALPS,ROHM,Xilinx,Pulse,ON,Everlight and Freescale. Main products comprise IC,Modules,Potentiometer,IC Socket,Relay,Connector.Our parts cover such applications as commercial,industrial, and automotives areas.

We are looking forward to setting up business relationship with you and hope to provide you with the best service and solution. Let us make a better world for our industry!



## Contact us

Tel: +86-755-8981 8866 Fax: +86-755-8427 6832

Email & Skype: info@chipsmall.com Web: www.chipsmall.com

Address: A1208, Overseas Decoration Building, #122 Zhenhua RD., Futian, Shenzhen, China



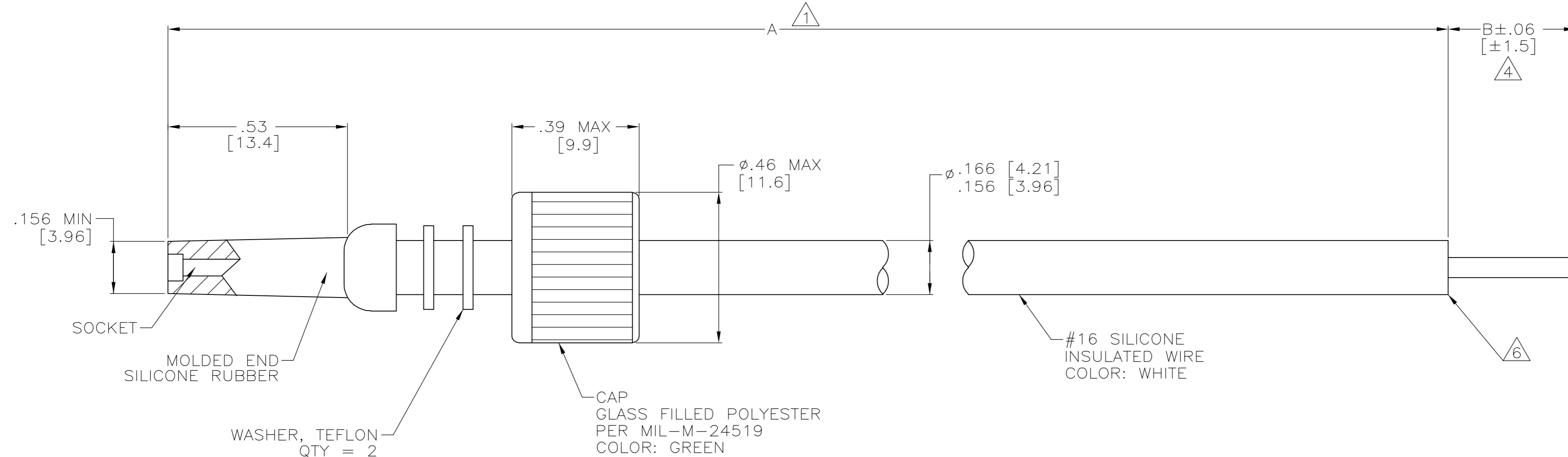
THIS DRAWING IS UNPUBLISHED. RELEASED FOR PUBLICATION - .N/A .  
 © COPYRIGHT N/A BY TYCO ELECTRONICS CORPORATION. ALL RIGHTS RESERVED.

LOC	DIST	REVISIONS					
DF	SO	P	LTR	DESCRIPTION	DATE	DWN	APVD
		J		REV PER ECO-05-002828	08-05	AA	DE

PART NO.	A $\triangle 1$	B	CUSTOMER P/N INK STAMPED	REMARKS
867961-1	8.00 [203.2]	.25 [6.3]	301-0002-170	$\triangle 4$
867961-2	6.00 [152.4]	.25 [6.3]	301-0002-200	$\triangle 4$
867961-3	14.00 [355.6]	.38 [9.7]	301-0002-240	$\triangle 4$
867961-4	5.00 [127.0]	.25 [6.3]	301-0002-300	$\triangle 4$
5-867961-2	6.00 [152.4]	.25 [6.3]	-	$\triangle 6$

OBSOLETE

- $\triangle 1$  TOLERANCE OF LEAD LENGTH:  
UP TO 24 INCHES [609.6] =  $\pm 1.2$  [ $\pm 3.0$ ]  
24 INCHES [609.6] & UP =  $\pm 1\%$
- 2. MARKED PER MIL-STD-130.
- 3. TO MATE WITH AMP LGH-1/2  
RECEPTACLE WITH .53 [13.4] BARREL DEPTH.
- $\triangle 4$  WHERE APPLICABLE "B" STRIP LENGTH IS SOLDER DIPPED.
- 5. OPERATING VOLTAGE: 10 KVDC AT 0 TO 70,000 FEET,  
-55°C TO 125°C.
- $\triangle 6$  INSULATION CUT, BUT NOT REMOVED.



THIS DRAWING IS A CONTROLLED DOCUMENT.		DWN C.C.THOMAS 13-DEC-89	Tyco Electronics Corporation Harrisburg, Pa 17105-3608															
DIMENSIONS: INCHES [mm]		CHK D.EABY 27-FEB-90																
TOLERANCES UNLESS OTHERWISE SPECIFIED:		APVD D.EABY 27-FEB-90	NAME LEAD ASSY SGL MOLDED END LGH-1/2L															
<table border="0"> <tr><td>0 PLC</td><td>± -</td></tr> <tr><td>1 PLC</td><td>± -</td></tr> <tr><td>2 PLC</td><td>± .02 [0.5]</td></tr> <tr><td>3 PLC</td><td>± -</td></tr> <tr><td>4 PLC</td><td>± -</td></tr> <tr><td>ANGLES</td><td>± -</td></tr> <tr><td>FINISH</td><td>-</td></tr> </table>		0 PLC	± -	1 PLC	± -	2 PLC	± .02 [0.5]	3 PLC	± -	4 PLC	± -	ANGLES	± -	FINISH	-	PRODUCT SPEC APPLICATION SPEC	SIZE A2	CAGE CODE 00779
0 PLC	± -																	
1 PLC	± -																	
2 PLC	± .02 [0.5]																	
3 PLC	± -																	
4 PLC	± -																	
ANGLES	± -																	
FINISH	-																	
MATERIAL SEE CALLOUTS		WEIGHT -	DRAWING NO C=867961	RESTRICTED TO -														
		CUSTOMER DRAWING	SCALE 4:1	SHEET 1 OF 1														