



Chipsmall Limited consists of a professional team with an average of over 10 year of expertise in the distribution of electronic components. Based in Hongkong, we have already established firm and mutual-benefit business relationships with customers from,Europe,America and south Asia,supplying obsolete and hard-to-find components to meet their specific needs.

With the principle of "Quality Parts,Customers Priority,Honest Operation,and Considerate Service",our business mainly focus on the distribution of electronic components. Line cards we deal with include Microchip,ALPS,ROHM,Xilinx,Pulse,ON,Everlight and Freescale. Main products comprise IC,Modules,Potentiometer,IC Socket,Relay,Connector.Our parts cover such applications as commercial,industrial, and automotives areas.

We are looking forward to setting up business relationship with you and hope to provide you with the best service and solution. Let us make a better world for our industry!



Contact us

Tel: +86-755-8981 8866 Fax: +86-755-8427 6832

Email & Skype: info@chipsmall.com Web: www.chipsmall.com

Address: A1208, Overseas Decoration Building, #122 Zhenhua RD., Futian, Shenzhen, China



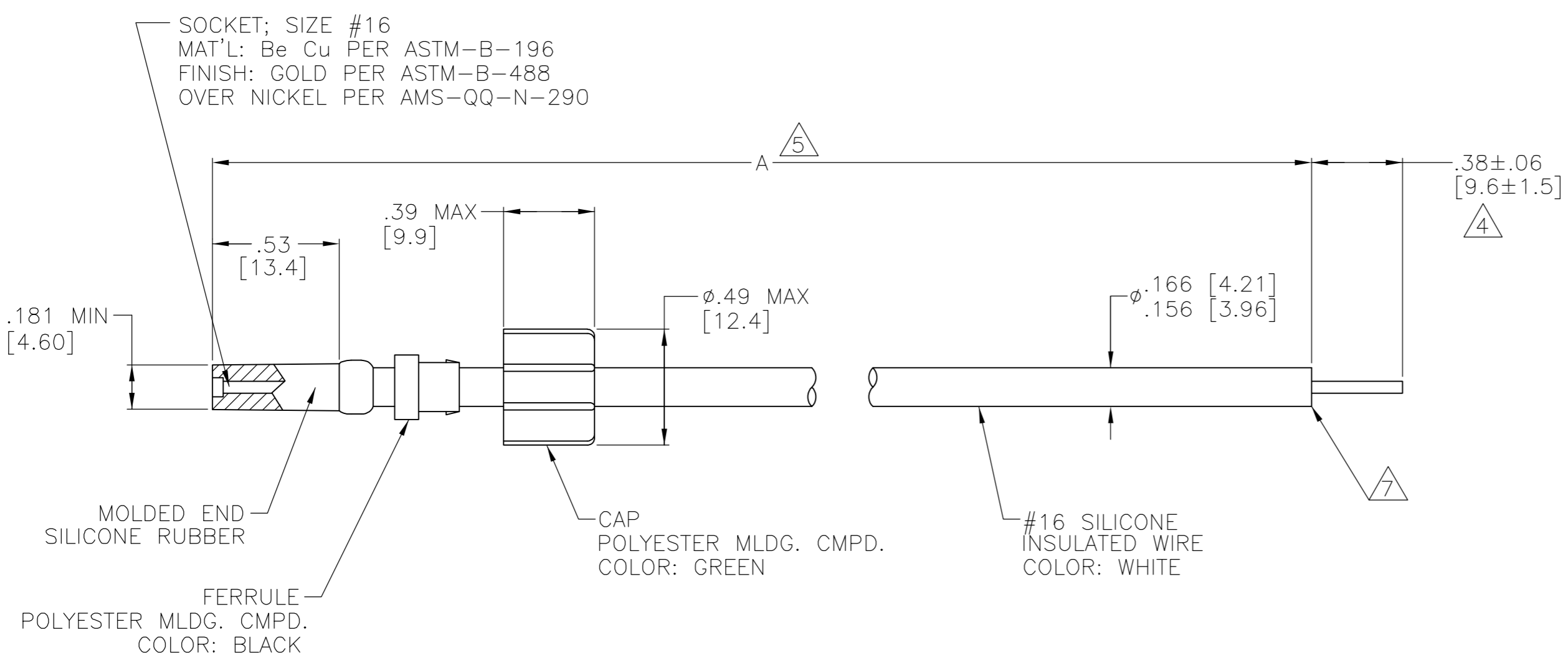
THIS DRAWING IS UNPUBLISHED. RELEASED FOR PUBLICATION - .N/A .
 © COPYRIGHT N/A BY TYCO ELECTRONICS CORPORATION. ALL RIGHTS RESERVED.

LOC	DIST	REVISIONS					
		P	LTR	DESCRIPTION	DATE	DWN	APVD
DF	S0	C		REV PER ECO-05-002584	07-05	AA	DE

1. MARKED PER MIL-STD-130; .09 HIGH CHARS.
2. TO MATE WITH AMP LGH-1/2 RECEPTACLE WITH .53 [13.4] BARREL DEPTH.
3. OPERATING VOLTAGE: 10 KVDC AT 0 TO 70,000 FEET, -55°C TO 125°C.
- △ 4. PIGTAIL IS SOLDER DIPPED. (867963-1 & -2 ONLY)
- △ 5. TOLERANCE OF LEAD LENGTH:
UP TO 24 INCHES [609.6] = ±.12 [±3.0]
24 INCHES [609.6] & UP = ±1%
6. SPECIAL HANDLING REQUIREMENTS:
PACKAGED ONE ASS'Y PER POLYBAG WITH TAG.
TAG INFO.:

AMP INC (00779)
 (AMP P/N)
 (CUST P/N)
 QTY (1)
 DO NOT OPEN
 UNTIL READY TO USE

△ 7. INSULATION CUT BUT NOT REMOVED. (5-967963-2 ONLY)



	△ 7	301-0002-270	5.00 [127.0]	5-867963-2
	△ 4	301-0002-270	5.00 [127.0]	867963-2
OBSOLETE	△ 4	301-0002-190	4.00 [101.6]	867963-1
	REMARKS	CUSTOMER P/N	A DIM △ 5	PART NO.

THIS DRAWING IS A CONTROLLED DOCUMENT.		DWN	30-JUL-90	 Tyco Electronics Corporation Harrisburg, Pa 17105-3608
DIMENSIONS: INCHES		CHK	28-AUG-90	
TOLERANCES UNLESS OTHERWISE SPECIFIED:		APVD	28-AUG-90	
0 PLC ± - 1 PLC ± - 2 PLC ± .02 [0.5] 3 PLC ± - 4 PLC ± - ANGLES ± -		NAME	D.EABY	
MATERIAL SEE CALLOUTS		FINISH SEE CALLOUTS		LEAD ASSY POS STOP, SGL END LGH-1/2
WEIGHT -		SIZE	A2	RESTRICTED TO -
CUSTOMER DRAWING		CAGE CODE	00779	DRAWING NO
SCALE 2:1		C=867963		SHEET 1 OF 1
		REV C		

867963