



Chipsmall Limited consists of a professional team with an average of over 10 year of expertise in the distribution of electronic components. Based in Hongkong, we have already established firm and mutual-benefit business relationships with customers from,Europe,America and south Asia,supplying obsolete and hard-to-find components to meet their specific needs.

With the principle of “Quality Parts,Customers Priority,Honest Operation,and Considerate Service”,our business mainly focus on the distribution of electronic components. Line cards we deal with include Microchip,ALPS,ROHM,Xilinx,Pulse,ON,Everlight and Freescale. Main products comprise IC,Modules,Potentiometer,IC Socket,Relay,Connector.Our parts cover such applications as commercial,industrial, and automotives areas.

We are looking forward to setting up business relationship with you and hope to provide you with the best service and solution. Let us make a better world for our industry!



## Contact us

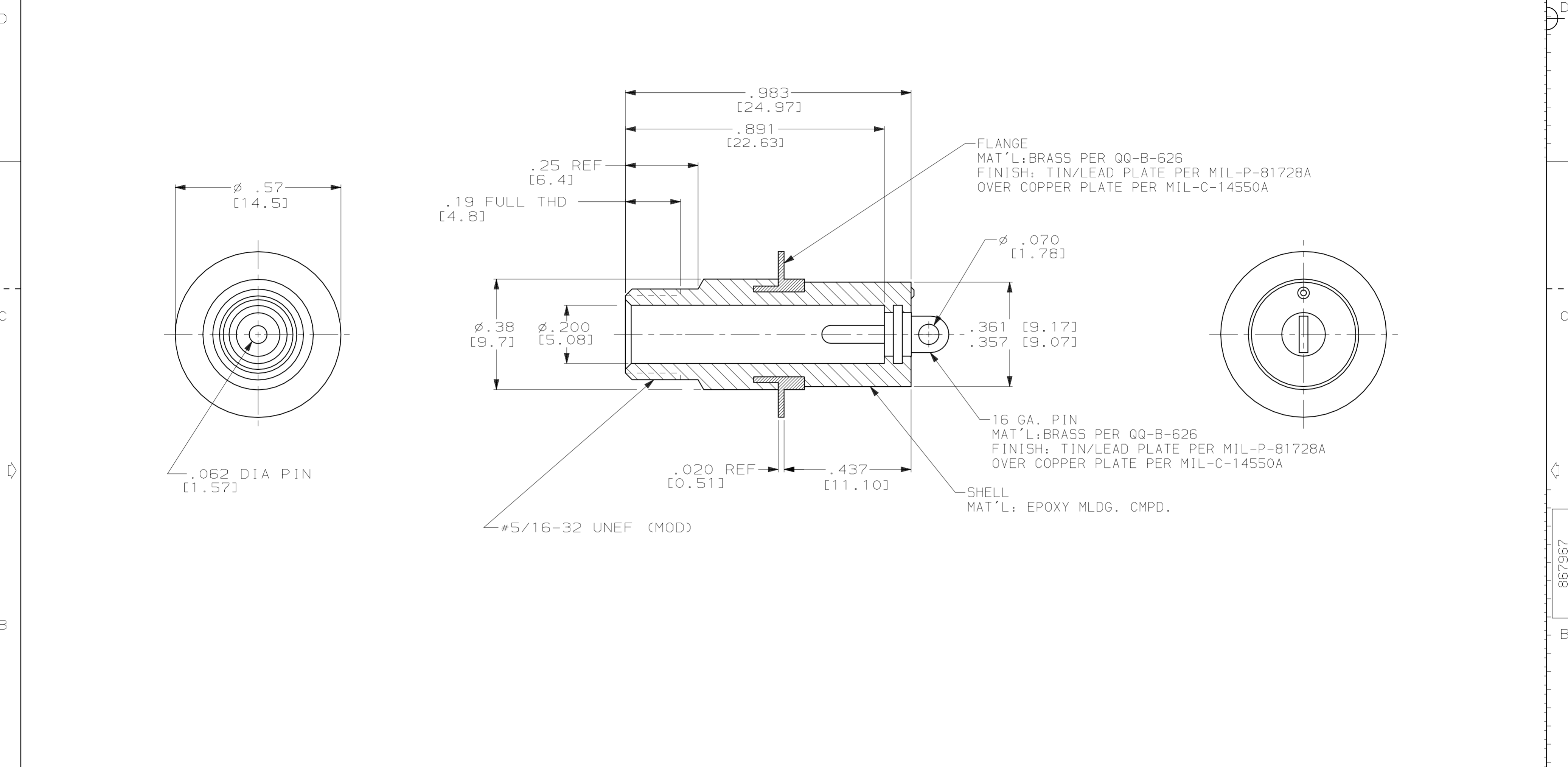
Tel: +86-755-8981 8866 Fax: +86-755-8427 6832

Email & Skype: info@chipsmall.com Web: www.chipsmall.com

Address: A1208, Overseas Decoration Building, #122 Zhenhua RD., Futian, Shenzhen, China



PROD CODE	LOC	DIST	P	F	ZONE	LTR	DESCRIPTION	DATE	APPD
4087	DF	50				B	REACTIVATE & REDRAW; DF-5127 CT	11-91	JM



1. THIS UNIT HERMETICALLY SEALED
2. ONE ITEM PACKED PER BAG WITH TAG.
3. SPECIAL HANDLING REQUIREMENTS (SEE TABULATION) TAG DATA:

AMP INC (00779)  
 AMP PART NO.  
 CUST. PART NO.  
 QTY (1)  
 DO NOT OPEN  
 UNTIL READY FOR USE

301-0002-130	867967-1
CUST. PART NO.	PART NO.

DO NOT SCALE PRINT. UNLESS SPECIFIED DIMENSIONS IN INCHES [mm] TOLERANCES ON : 2 PLC DEC $\pm .01$ [0.3] 3 PLC DEC $\pm .005$ [0.13] ANGLES $\pm -$	DR 11-11-91 C.C.THOMAS	AMP Incorporated Harrisburg, PA 17105-3608
	CHK 11-12-91 J.MONTGOMERY	
MATERIAL  SEE CALLOUTS	APPD 11-12-91 J.MONTGOMERY	NAME  FLANGED RECEPTACLE, LGH-1/2L
	APPD 11-12-91 C.THOMAS	PRODUCT SPEC -
FINISH  SEE CALLOUTS	APPLICATION SPEC -	SIZE C 00779
	WEIGHT -	CAGE CODE 00779
		DRAWING NO 867967
		SCALE 4:1
		SHEET 1 OF 1