



Chipsmall Limited consists of a professional team with an average of over 10 year of expertise in the distribution of electronic components. Based in Hongkong, we have already established firm and mutual-benefit business relationships with customers from,Europe,America and south Asia,supplying obsolete and hard-to-find components to meet their specific needs.

With the principle of “Quality Parts,Customers Priority,Honest Operation,and Considerate Service”,our business mainly focus on the distribution of electronic components. Line cards we deal with include Microchip,ALPS,ROHM,Xilinx,Pulse,ON,Everlight and Freescale. Main products comprise IC,Modules,Potentiometer,IC Socket,Relay,Connector.Our parts cover such applications as commercial,industrial, and automotives areas.

We are looking forward to setting up business relationship with you and hope to provide you with the best service and solution. Let us make a better world for our industry!



Contact us

Tel: +86-755-8981 8866 Fax: +86-755-8427 6832

Email & Skype: info@chipsmall.com Web: www.chipsmall.com

Address: A1208, Overseas Decoration Building, #122 Zhenhua RD., Futian, Shenzhen, China



SPLASH RESISTANT FUSE HOLDER

for MAXI® Style Blade Fuse

RoHS



Description

The Inline Splash Resistant Fuse Holder provides an efficient, simple installation method for MAXI® / FK3-style fuse applications in harsh under-the-hood environments. Protected to IP54 rating.

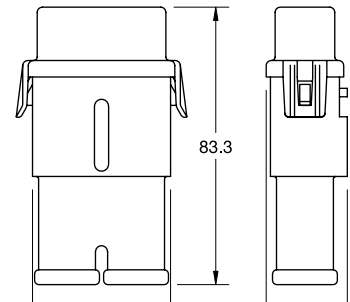
* PA66-GF30: heat resistant
UL 94-V0: self extinguishing

Ordering Information

Part Number	Package Size
01520003TXN	10
279.6800.0001	10
279.6800.0002	100
01520003U	500

Dimensions

Dimensions in mm



Ratings

Part Number	Description	Fuse Rating
01520003TXN941	Assortment: Fuse Holder 01520003 with terminals, seals and cover for 4-6mm ² - 10 pcs.	60 A
01520003TXN942	Assortment: Fuse Holder 01520003 with terminals, seals and cover for 6-10mm ² - 10 pcs.	60 A
279.6850.0402	Assortment: Fuse Holder 279.6800.000 with terminals, seals and cover for 4mm ² - 10 pcs.	80 A
279.6850.0602	Assortment: Fuse Holder 279.6800.000 with terminals, seals and cover for 6-10mm ² - 10 pcs.	80 A
279.6850.1602	Assortment: Fuse Holder 279.6800.000 with terminals, seals and cover for 16mm ² - 10 pcs.	80 A

SPLASH RESISTANT MAXI® COMPONENTS

Ratings

Part Number	Description	Fuse Rating
279.6800.000_	Fuse Holder UL 94-V0 *	80 A
01520003_	Fuse Holder PA66-GF30*	-
01520903_	Cover	-
0913726001	Loose terminals for wire Ø 2.5 - 4 mm ² - 300 pcs	-
09130726TXN	Loose terminals for wire Ø 2.5 - 4 mm ² - 10 pcs	-
0913727001	Loose terminals for wire Ø 4 - 6 mm ² - 300 pcs	-
09130727TXN	Loose terminals for wire Ø 4 - 6 mm ² - 10 pcs	-

Ratings

Part Number	Description	Fuse Rating
0913728001	Loose terminals for wire Ø 6 - 10 mm ² - 300 pcs	-
09130728TXN	Loose terminals for wire Ø 6 - 10 mm ² - 10 pcs	-
868-905	Wire seals for wire Ø 2.5 - 6 mm ² , bulk - 1000 pcs	-
08680905TXN	Wire seals for wire Ø 2.5 - 6 mm ² - 10 pcs	-
868-906	Wire seals for wire Ø 6 - 10 mm ² , bulk - 1000 pcs	-
08680906TXN	Wire seals for wire Ø 6 - 10 mm ² - 10 pcs	-