



Chipsmall Limited consists of a professional team with an average of over 10 year of expertise in the distribution of electronic components. Based in Hongkong, we have already established firm and mutual-benefit business relationships with customers from,Europe,America and south Asia,supplying obsolete and hard-to-find components to meet their specific needs.

With the principle of “Quality Parts,Customers Priority,Honest Operation,and Considerate Service”,our business mainly focus on the distribution of electronic components. Line cards we deal with include Microchip,ALPS,ROHM,Xilinx,Pulse,ON,Everlight and Freescale. Main products comprise IC,Modules,Potentiometer,IC Socket,Relay,Connector.Our parts cover such applications as commercial,industrial, and automotives areas.

We are looking forward to setting up business relationship with you and hope to provide you with the best service and solution. Let us make a better world for our industry!



Contact us

Tel: +86-755-8981 8866 Fax: +86-755-8427 6832

Email & Skype: info@chipsmall.com Web: www.chipsmall.com

Address: A1208, Overseas Decoration Building, #122 Zhenhua RD., Futian, Shenzhen, China



DRAWING MADE IN THIRD ANGLE PROJECTION

3

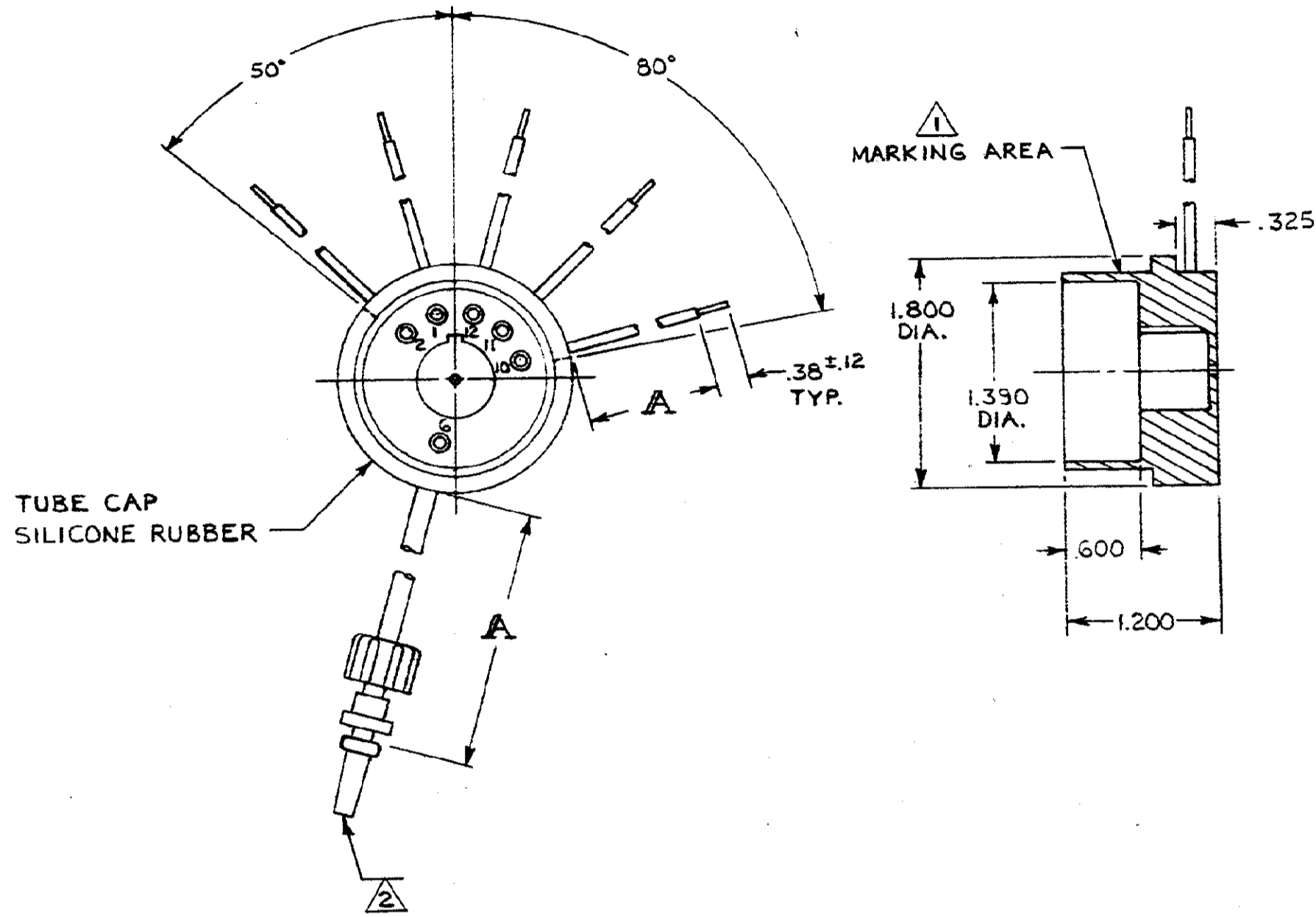
2

1

LOC L 37

THIS DRAWING IS UNPUBLISHED. RELEASED FOR PUBLICATION
 © COPYRIGHT 19 BY AMP INCORPORATED, HARRISBURG, PA. ALL INTERNATIONAL RIGHTS RESERVED. AMP PRODUCTS MAY BE COVERED BY U.S. AND FOREIGN PATENTS AND/OR PATENTS PENDING.

REVISIONS					
P	F	ZONE/LTR	DESCRIPTION	DATE	APPROVED
		0	RELEASE.	RPH	<i>[Signature]</i>



- △ AMP P/N, DATE CODE AND CUSTOMER P/N, 875587-1, MARKED ON APPROX. AREA SHOWN.
- △ TO MATE WITH AMP LGH 1/2 RECEPTACLE WITH .53 BARREL DEPTH.

SOCKET NO.	A	LEAD COLOR
1	27.00±.50	BROWN
2	24.00±.50	GREEN
6	10.00±.50	WHITE
10	24.00±.50	ORANGE
11	24.00±.50	YELLOW
12	27.00±.50	BROWN

UNLESS OTHERWISE SPECIFIED DIMENSIONS ARE IN INCHES. TOLERANCES ON: DECIMALS ±.015 ANGLES ±1°	CONTRACT NO.	AS SHOWN	868014-1
	DR <i>R.B. Hooper 5-3-84</i>	DESCRIPTION	PART NO
MATERIAL	CHK	AMP AMP INCORPORATED Harrisburg, Pa. 17105	
FINISH	APPD <i>W.D. Lockman 5/11/84</i>	NAME TUBE BASE 12 POSITION	
	DSGN APPD	SIZE C	FSCM NO 00779
	OTHER APPD	DRAWING NO 868014	
		SCALE NTS	SHEET 1/1

CUSTOMER DRAWING