



Chipsmall Limited consists of a professional team with an average of over 10 year of expertise in the distribution of electronic components. Based in Hongkong, we have already established firm and mutual-benefit business relationships with customers from,Europe,America and south Asia,supplying obsolete and hard-to-find components to meet their specific needs.

With the principle of “Quality Parts,Customers Priority,Honest Operation,and Considerate Service”,our business mainly focus on the distribution of electronic components. Line cards we deal with include Microchip,ALPS,ROHM,Xilinx,Pulse,ON,Everlight and Freescale. Main products comprise IC,Modules,Potentiometer,IC Socket,Relay,Connector.Our parts cover such applications as commercial,industrial, and automotives areas.

We are looking forward to setting up business relationship with you and hope to provide you with the best service and solution. Let us make a better world for our industry!



Contact us

Tel: +86-755-8981 8866 Fax: +86-755-8427 6832

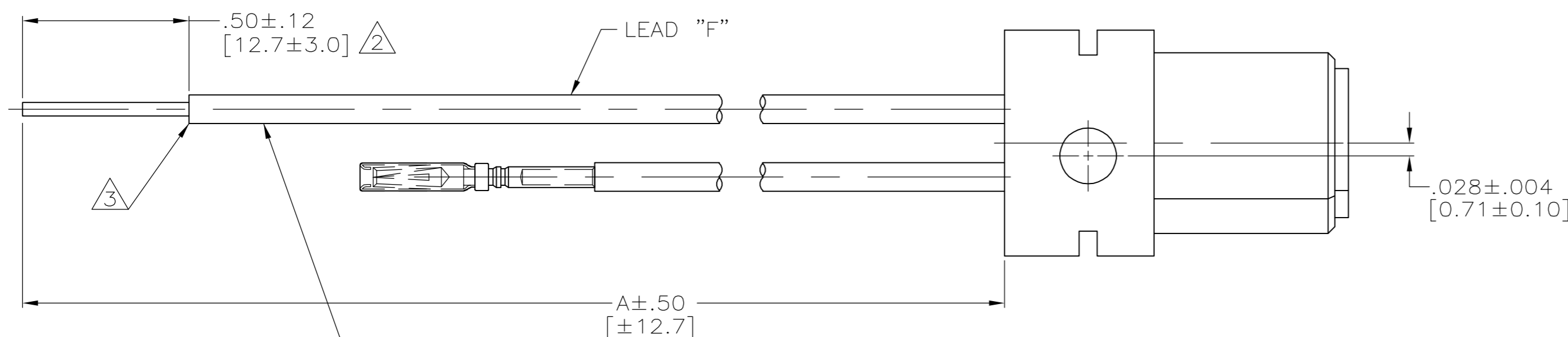
Email & Skype: info@chipsmall.com Web: www.chipsmall.com

Address: A1208, Overseas Decoration Building, #122 Zhenhua RD., Futian, Shenzhen, China



THIS DRAWING IS UNPUBLISHED. RELEASED FOR PUBLICATION - N/A .
 © COPYRIGHT N/A BY TYCO ELECTRONICS CORPORATION. ALL RIGHTS RESERVED.

LOC		DIST		REVISIONS			
P	LTR	DESCRIPTION		DATE	DWN	APVD	
F		REV PER ECO-05-003302		08-05	AA	DE	

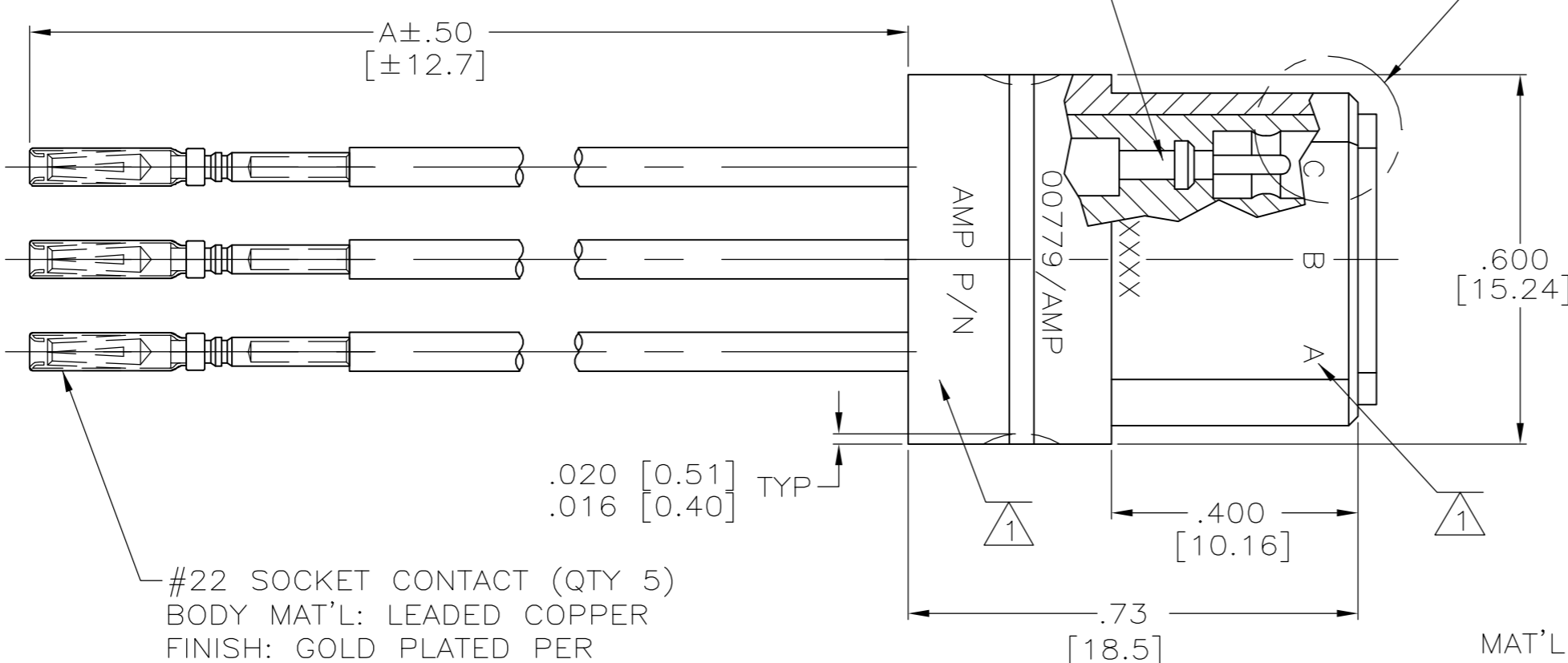


- ① MARKED PER MIL-STD-130.
- ② PIGTAIL IS SOLDER DIPPED.
- ③ INSULATION CUT, BUT NOT REMOVED.

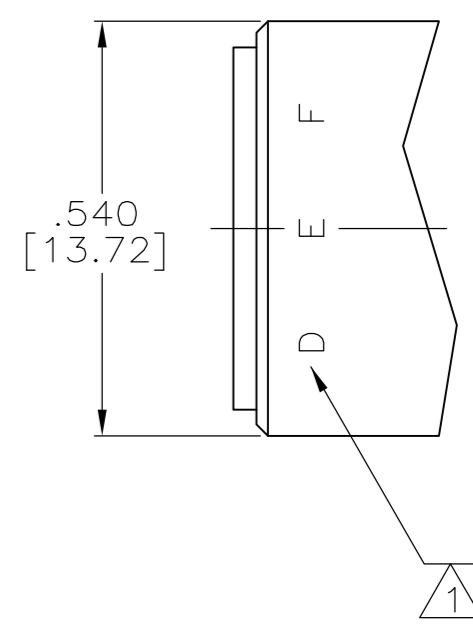
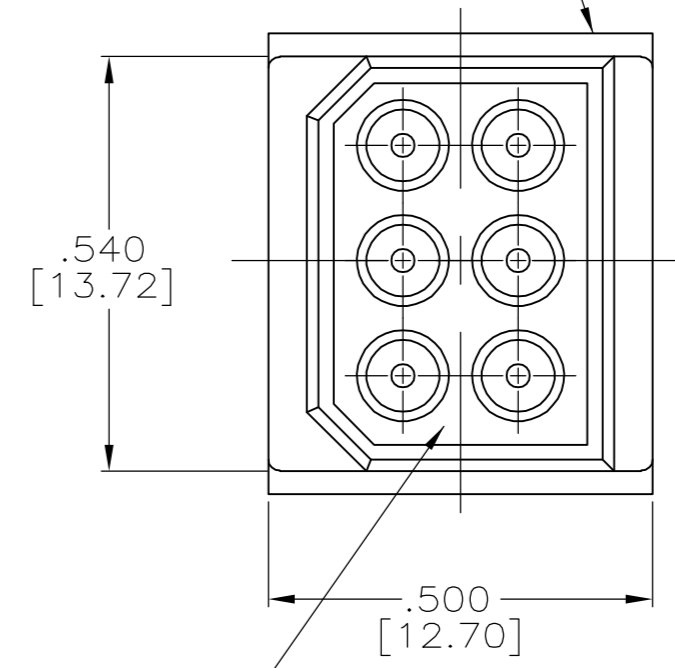
#24 AWG TEFLON INSULATED LEAD WIRE (6 PLC) COLOR: SEE SCHEMATIC

CONTACT, PIN (6 PLC)
 MAT'L: BRONZE PER ASTM-B-140
 FINISH: GOLD PLATE PER ASTM-B-488
 OVER NICKEL PER AMS-QQ-N-290

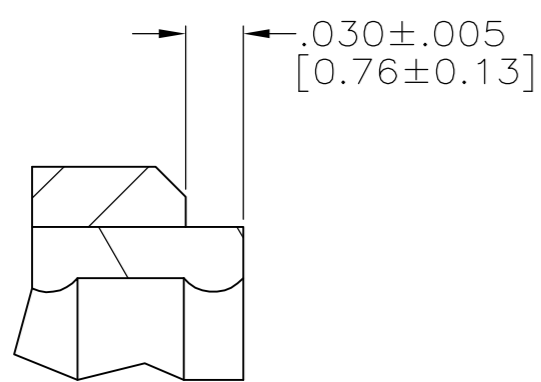
HOUSING MAT'L: POLYESTER MLDG. CPD. COLOR: BLACK



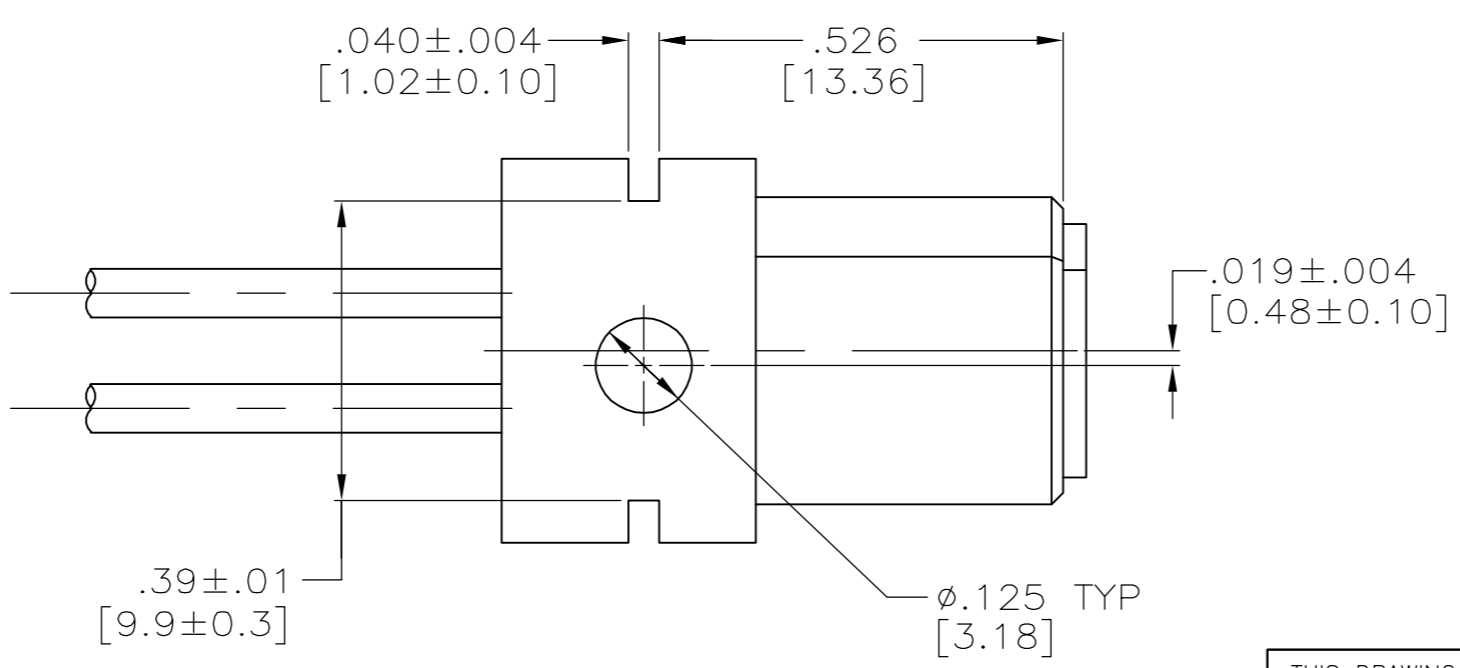
#22 SOCKET CONTACT (QTY 5)
 BODY MAT'L: LEADED COPPER
 FINISH: GOLD PLATED PER ASTM-B-488 OVER NICKEL PER AMS-QQ-N-290
 HOOD MAT'L: STAINLESS STEEL



REMARKS	DIM A	LEAD COLOR	LETTER CAVITY	PART NO.
③	13.00 [330.2]	BLACK	F	5-868021-1
-	4.00 [101.6]	GREEN	E	
-	4.00 [101.6]	BLUE	D	
-	4.00 [101.6]	BROWN	C	
-	4.00 [101.6]	RED	B	
-	4.00 [101.6]	YELLOW	A	868021-1
②	13.00 [330.2]	BLACK	F	
-	4.00 [101.6]	GREEN	E	
-	4.00 [101.6]	BLUE	D	
-	4.00 [101.6]	BROWN	C	
-	4.00 [101.6]	RED	B	
-	4.00 [101.6]	YELLOW	A	



DETAIL Z
 SCALE 10:1



THIS DRAWING IS A CONTROLLED DOCUMENT.

DWN	C.C.THOMAS	02-DEC-92
CHK	D.EABY	11-JAN-93
APVD	D.EABY	11-JAN-93
PRODUCT SPEC		
APPLICATION SPEC		
WEIGHT	-	
CUSTOMER DRAWING		

tyco Electronics Tyco Electronics Corporation
 Harrisburg, Pa 17105-3608

NAME: PLUG ASSY
 6 POSN WITH FLYING LEADS
 LGH

SIZE	CAGE CODE	DRAWING NO	RESTRICTED TO
A2	00779	C=868021	-
SCALE	SHEET	OF	REV
4:1	1	1	F