



Chipsmall Limited consists of a professional team with an average of over 10 year of expertise in the distribution of electronic components. Based in Hongkong, we have already established firm and mutual-benefit business relationships with customers from,Europe,America and south Asia,supplying obsolete and hard-to-find components to meet their specific needs.

With the principle of "Quality Parts,Customers Priority,Honest Operation,and Considerate Service",our business mainly focus on the distribution of electronic components. Line cards we deal with include Microchip,ALPS,ROHM,Xilinx,Pulse,ON,Everlight and Freescale. Main products comprise IC,Modules,Potentiometer,IC Socket,Relay,Connector.Our parts cover such applications as commercial,industrial, and automotives areas.

We are looking forward to setting up business relationship with you and hope to provide you with the best service and solution. Let us make a better world for our industry!



Contact us

Tel: +86-755-8981 8866 Fax: +86-755-8427 6832

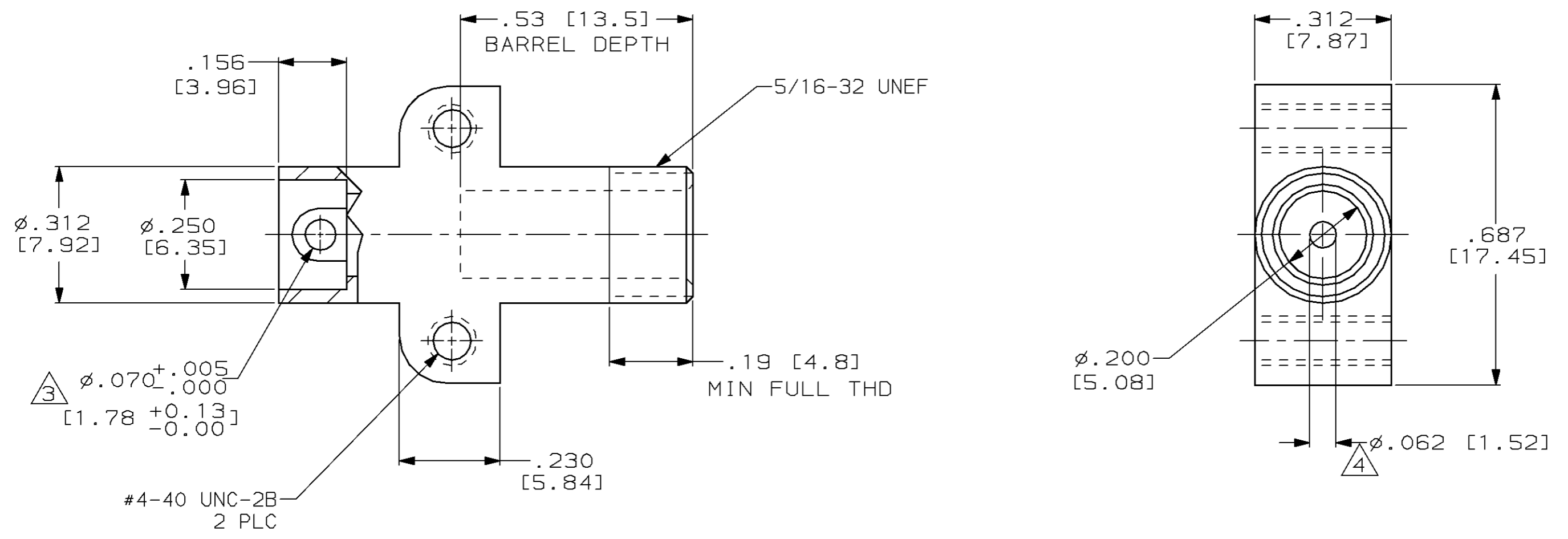
Email & Skype: info@chipsmall.com Web: www.chipsmall.com

Address: A1208, Overseas Decoration Building, #122 Zhenhua RD., Futian, Shenzhen, China



THIS DRAWING IS UNPUBLISHED. RELEASED FOR PUBLICATION, 19 .
 © COPYRIGHT 19 BY AMP INCORPORATED. ALL RIGHTS RESERVED.

LOC		DIST		REVISIONS			
P	LTR	DESCRIPTION		DATE	DWN	APVD	
DF	SO	B		REV PER 0600-2280-94	10-31-94	TT	-



- RECEPTACLE TO MATE WITH AMP LGH 1/2 LEAD ASSEMBLY AVAILABLE SEPARATELY.
- SPECIAL TESTING:
 GROUP "A" TEST:
 (1) VISUAL & MECHANICAL
 (2) INSULATION RESISTANCE: 5000 MEGOHM MIN
 EYELET TO BE SOLDER COATED WITH 63/37 SOLDER.
 PIN CONTACT PLATED WITH GOLD PER MIL-G-45204.

868094-1
 PART NO.

THIS DRAWING IS A CONTROLLED DOCUMENT FOR AMP INCORPORATED. IT IS SUBJECT TO CHANGE AND THE CONTROLLING ENGINEERING ORGANIZATION SHOULD BE CONTACTED FOR THE LATEST REVISION.		DWN C.C. THOMAS 6-25-96	AMP AMP Incorporated Harrisburg, PA 17105-3608
DIMENSIONS: INCHES [mm]		CHK S. GLATFELTER 7-8-96	
TOLERANCES UNLESS OTHERWISE SPECIFIED: 0 PLC ±- 1 PLC ±- 2 PLC ±.02 [0.5] 3 PLC ±.005 [0.13] 4 PLC ±- ANGLES ±-		APVD S. GLATFELTER 7-8-96	NAME LGH 1/2 RECEPTACLE WITH THREADED MOUNTING HOLES AND POTTING SHELL
MATERIAL -		PRODUCT SPEC -	SIZE A3
FINISH -		APPLICATION SPEC -	CAGE CODE 00779
		WEIGHT -	DRAWING NO C-868094
		CUSTOMER DRAWING	SCALE 2:1
			SHEET 1 OF 1
			REV B