



Chipsmall Limited consists of a professional team with an average of over 10 year of expertise in the distribution of electronic components. Based in Hongkong, we have already established firm and mutual-benefit business relationships with customers from,Europe,America and south Asia,supplying obsolete and hard-to-find components to meet their specific needs.

With the principle of “Quality Parts,Customers Priority,Honest Operation,and Considerate Service”,our business mainly focus on the distribution of electronic components. Line cards we deal with include Microchip,ALPS,ROHM,Xilinx,Pulse,ON,Everlight and Freescale. Main products comprise IC,Modules,Potentiometer,IC Socket,Relay,Connector.Our parts cover such applications as commercial,industrial, and automotives areas.

We are looking forward to setting up business relationship with you and hope to provide you with the best service and solution. Let us make a better world for our industry!



Contact us

Tel: +86-755-8981 8866 Fax: +86-755-8427 6832

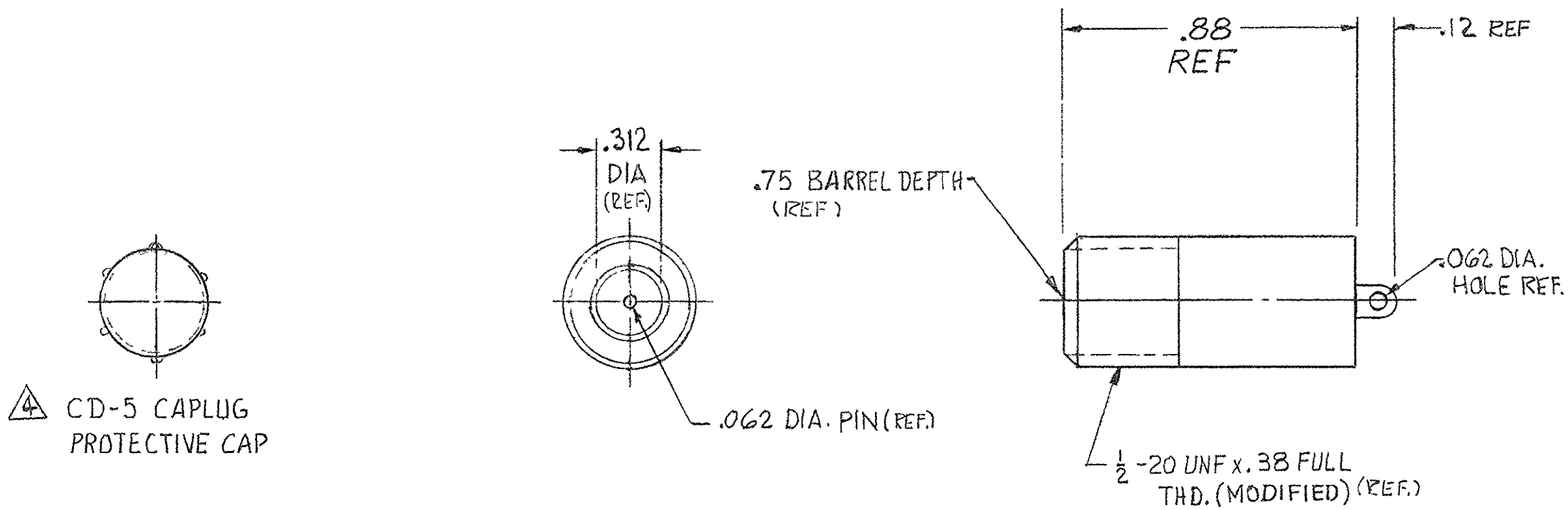
Email & Skype: info@chipsmall.com Web: www.chipsmall.com

Address: A1208, Overseas Decoration Building, #122 Zhenhua RD., Futian, Shenzhen, China



THIS DRAWING IS UNPUBLISHED. RELEASED FOR PUBLICATION . 19 .
 © COPYRIGHT 19 BY AMP INCORPORATED, HARRISBURG, PA. ALL INTERNATIONAL RIGHTS RESERVED. AMP PRODUCTS MAY BE COVERED BY U.S. AND FOREIGN PATENTS AND/OR PATENTS PENDING.

REVISIONS						
P	F	ZONE	LTR	DESCRIPTION	DATE	APPROVED
0			0	RELEASED	9-26-84	W. J. [Signature]
✓			A	REV PER ECN DF-3944	10-25-70	[Signature]
			B	REV PER OH14-0192-05	1-06	RY



△ CD-5 CAPLUG PROTECTIVE CAP

1. RECEPTACLE TO MATE WITH AMP LGH-1 LEAD ASSEMBLY, AVAILABLE SEPARATELY.
2. MARK PER MIL-STD-130
3. SPECIAL HANDLING REQUIREMENTS

MARKING: MARK EACH END ITEM WITH THE CUSTOMER PART NUMBER.

PACKAGING: MARK EACH SHIPPING CONTAINER WITH:

- A. CUSTOMER P/N
- B. AMP LOGO & P/N
- C. P.O. NUMBER.
- D. DATE CODE & NUMBER OF PIECES.

△ PROTECTIVE CAP REQ'D. ON THREADS BEFORE SHIPPING

	RECEPTACLE - TIN PLATED PIN	5-868207-1
97942-13BC327H01	RECEPTACLE - TIN LEAD PLATED PIN	868207-1
CUSTOMER PART NO	DESCRIPTION	PART NO
UNLESS OTHERWISE SPECIFIED DIMENSIONS ARE IN INCHES TOLERANCES ON: DECIMALS .06 ± .02 ANGLES ± °	CONTRACT NO	AMP AMP INCORPORATED Harrisburg, Pa. 17105 NAME LGH-1 RECEPTACLE
	DR Kil Freeman 9-26-84	
	CHK	
MATERIAL GLASS EPOXY MOLDED	APPD W. J. [Signature] 9-27-84	
FINISH #	DSGN APPD	SIZE C
	OTHER APPD	FSCM NO 00779
		DRAWING NO 868207
		SCALE NTS
		SHEET 1/1