



Chipsmall Limited consists of a professional team with an average of over 10 year of expertise in the distribution of electronic components. Based in Hongkong, we have already established firm and mutual-benefit business relationships with customers from,Europe,America and south Asia,supplying obsolete and hard-to-find components to meet their specific needs.

With the principle of “Quality Parts,Customers Priority,Honest Operation,and Considerate Service”,our business mainly focus on the distribution of electronic components. Line cards we deal with include Microchip,ALPS,ROHM,Xilinx,Pulse,ON,Everlight and Freescale. Main products comprise IC,Modules,Potentiometer,IC Socket,Relay,Connector.Our parts cover such applications as commercial,industrial, and automotives areas.

We are looking forward to setting up business relationship with you and hope to provide you with the best service and solution. Let us make a better world for our industry!



Contact us

Tel: +86-755-8981 8866 Fax: +86-755-8427 6832

Email & Skype: info@chipsmall.com Web: www.chipsmall.com

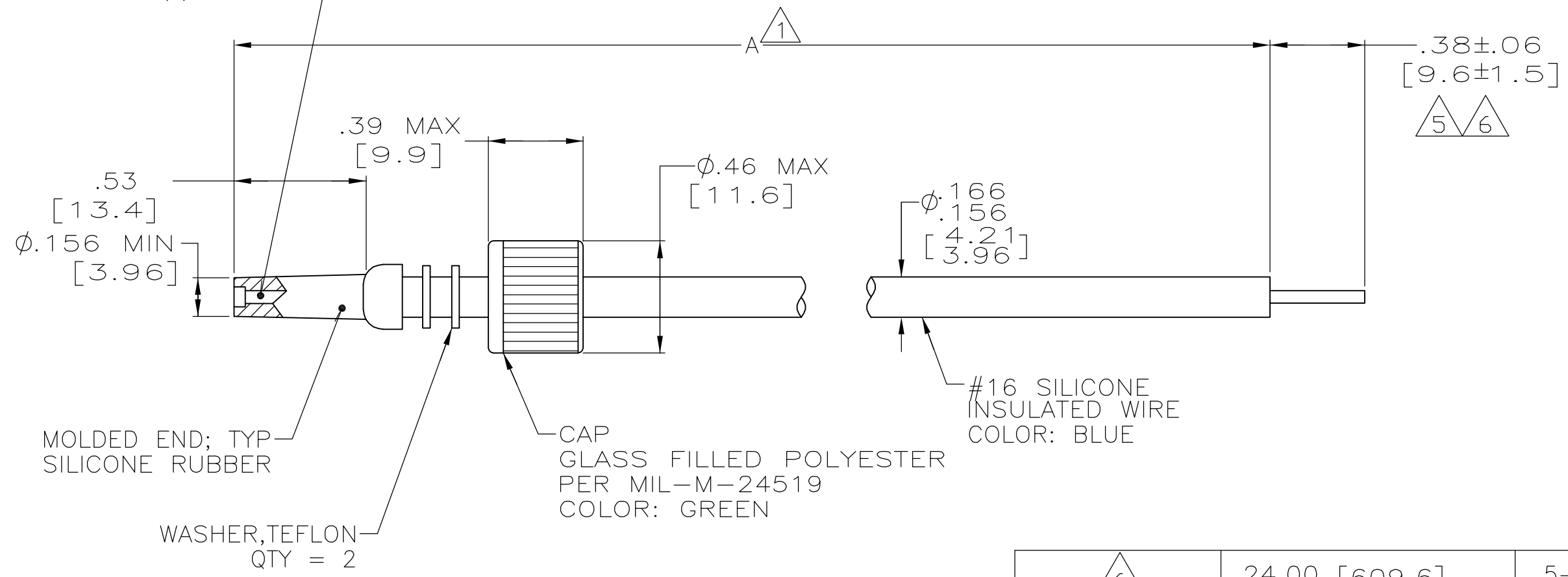
Address: A1208, Overseas Decoration Building, #122 Zhenhua RD., Futian, Shenzhen, China



THIS DRAWING IS UNPUBLISHED. RELEASED FOR PUBLICATION
 © COPYRIGHT BY TYCO ELECTRONICS CORPORATION. ALL RIGHTS RESERVED.

LOC	DIST	REVISIONS			
P	LTR	DESCRIPTION	DATE	DWN	APVD
DF	SO	E	REV PER ECO 05-015021	27JAN06	BL CT

SOCKET; SIZE #16
 MAT'L: Be Cu PER QQ-C-530
 FINISH: GOLD PER MIL-G-24308
 OVER NICKEL PER QQ-N-290



- 1 TOLERANCE OF LEAD LENGTH:
 UP TO 24 INCHES [609.6] = .12[±3.0]
 24 INCHES [609.6] & UP = ±1%
- 2. MARKED PER MIL-STD-130.
- 3. TO MATE WITH AMP LGH-1/2
 RECEPTACLE WITH .53 [13.4] BARREL DEPTH.
- 4. OPERATING VOLTAGE: 10 KVDC AT 0 TO 70,000 FEET,
 -55°C TO 125°C.
- 5 PIGTAIL IS SOLDER DIPPED.
- 6 INSULATION CUT, BUT NOT REMOVED.

6	24.00 [609.6]	5-868313-3
5	24.00 [609.6]	868313-3
5	36.00 [914.4]	868313-2
5	26.00 [660.4]	868313-1
REMARKS	A DIM 1	PART NO

THIS DRAWING IS A CONTROLLED DOCUMENT.		DWN C.C.THOMAS 1-11-90	Tyco Electronics Corporation Harrisburg, PA 17105-3608	
DIMENSIONS: INCHES		CHK D.EABY 4-27-90		
TOLERANCES UNLESS OTHERWISE SPECIFIED:		APVD D.EABY 4-27-90	NAME LEAD ASS'Y, SINGLE MOLDED END LGH-1/2 (BLUE)	
0 PLC ± - 1 PLC ± - 2 PLC ± .02 [0.5] 3 PLC ± - 4 PLC ± - ANGLES ± -		PRODUCT SPEC C.C.THOMAS 4-27-90		
MATERIAL SEE CALLOUTS		FINISH SEE CALLOUTS	APPLICATION SPEC	RESTRICTED TO
		WEIGHT	SIZE A3	CAGE CODE 00779
			DRAWING NO C-868313	SCALE 2:1
			CUSTOMER DRAWING	SHEET 1 OF 1
				REV E