



Chipsmall Limited consists of a professional team with an average of over 10 year of expertise in the distribution of electronic components. Based in Hongkong, we have already established firm and mutual-benefit business relationships with customers from,Europe,America and south Asia,supplying obsolete and hard-to-find components to meet their specific needs.

With the principle of “Quality Parts,Customers Priority,Honest Operation,and Considerate Service”,our business mainly focus on the distribution of electronic components. Line cards we deal with include Microchip,ALPS,ROHM,Xilinx,Pulse,ON,Everlight and Freescale. Main products comprise IC,Modules,Potentiometer,IC Socket,Relay,Connector.Our parts cover such applications as commercial,industrial, and automotives areas.

We are looking forward to setting up business relationship with you and hope to provide you with the best service and solution. Let us make a better world for our industry!



## Contact us

Tel: +86-755-8981 8866 Fax: +86-755-8427 6832

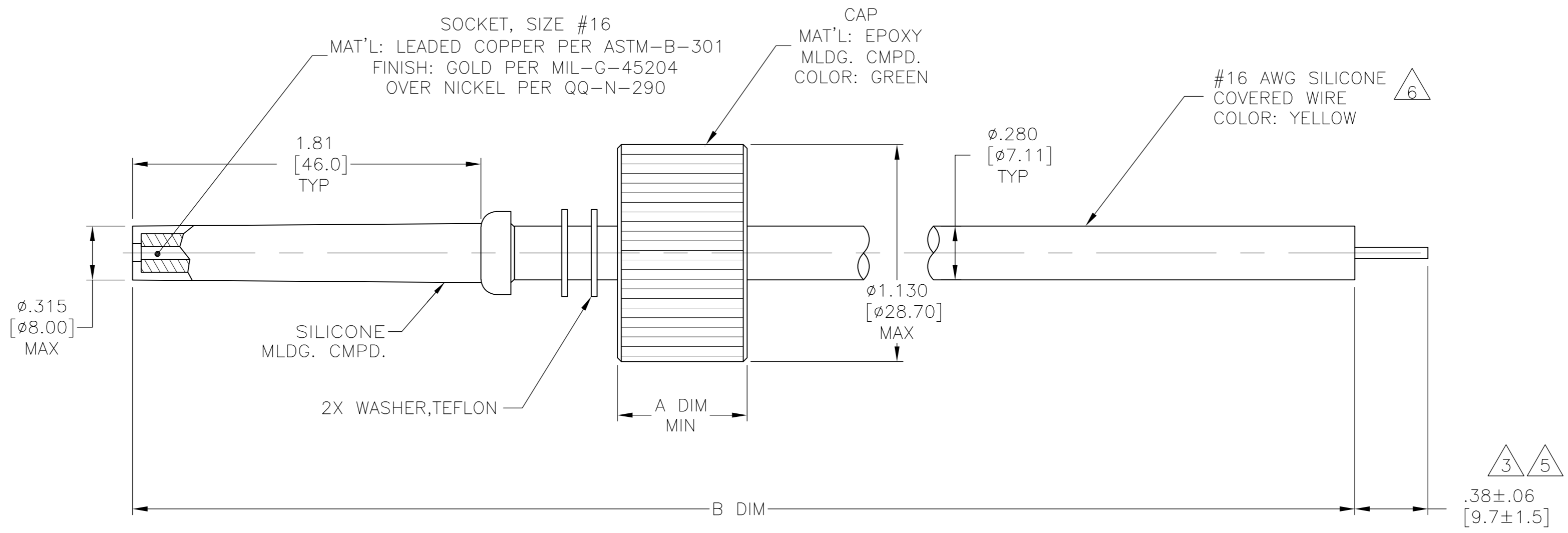
Email & Skype: info@chipsmall.com Web: www.chipsmall.com

Address: A1208, Overseas Decoration Building, #122 Zhenhua RD., Futian, Shenzhen, China



THIS DRAWING IS UNPUBLISHED. RELEASED FOR PUBLICATION  
 © COPYRIGHT - By - ALL RIGHTS RESERVED.

LOC		DIST		REVISIONS			
P	LTR	DESCRIPTION	DATE	DWN	APVD		
	C	ECO-13-005473	4-17-13	CT	DE		



1. MARKED PER MIL-STD-130.
  2. LEADS WILL MATE WITH AMP LGH-3 RECEPTACLE WITH 1.81 [46.0] BARREL DEPTH.
  3. PIGTAIL IS SOLDER DIPPED.
  4. OPERATING VOLTAGE: 40 KVDC AT 0 TO 70,000 FEET, -55° C TO 125° C.
5. INSULATION CUT, BUT NOT REMOVED
6. YELLOW WIRE DOES NOT HAVE A SOLID YELLOW INSULATION BUT IS A WHITE WIRE WITH A YELLOW STRIPE.

REMARKS	DIM B	DIM A MIN	PART NUMBER
5	60.00±1.00 [1524.0±25.4]	.67 [17.0]	5-868353-2
3	60.00±1.00 [1524.0±25.4]	.67 [17.0]	868353-2
3	18.00±.12 [457.2±3.0]	.55 [13.8]	868353-1

THIS DRAWING IS A CONTROLLED DOCUMENT.		DWN C.C.THOMAS 12-15-97		
		CHK D.EABY 12/15/97		
DIMENSIONS: INCHES [mm]		TOLERANCES UNLESS OTHERWISE SPECIFIED:		NAME LEAD ASSY, SGL END, LGH-3 WIRE COLOR: WHITE AND YELLOW STRIPED
		0 PLC ± - 1 PLC ± - 2 PLC ± .02 [0.5] 3 PLC ± - 4 PLC ± - ANGLES ± -		
MATERIAL SEE CALLOUTS		FINISH SEE CALLOUTS		SIZE A2
		WEIGHT -		CAGE CODE 00779
		CUSTOMER DRAWING		DRAWING NO 868353
		SCALE 2:1		SHEET 1 of 1
				REV C

868353