



Chipsmall Limited consists of a professional team with an average of over 10 year of expertise in the distribution of electronic components. Based in Hongkong, we have already established firm and mutual-benefit business relationships with customers from,Europe,America and south Asia,supplying obsolete and hard-to-find components to meet their specific needs.

With the principle of “Quality Parts,Customers Priority,Honest Operation,and Considerate Service”,our business mainly focus on the distribution of electronic components. Line cards we deal with include Microchip,ALPS,ROHM,Xilinx,Pulse,ON,Everlight and Freescale. Main products comprise IC,Modules,Potentiometer,IC Socket,Relay,Connector.Our parts cover such applications as commercial,industrial, and automotives areas.

We are looking forward to setting up business relationship with you and hope to provide you with the best service and solution. Let us make a better world for our industry!



Contact us

Tel: +86-755-8981 8866 Fax: +86-755-8427 6832

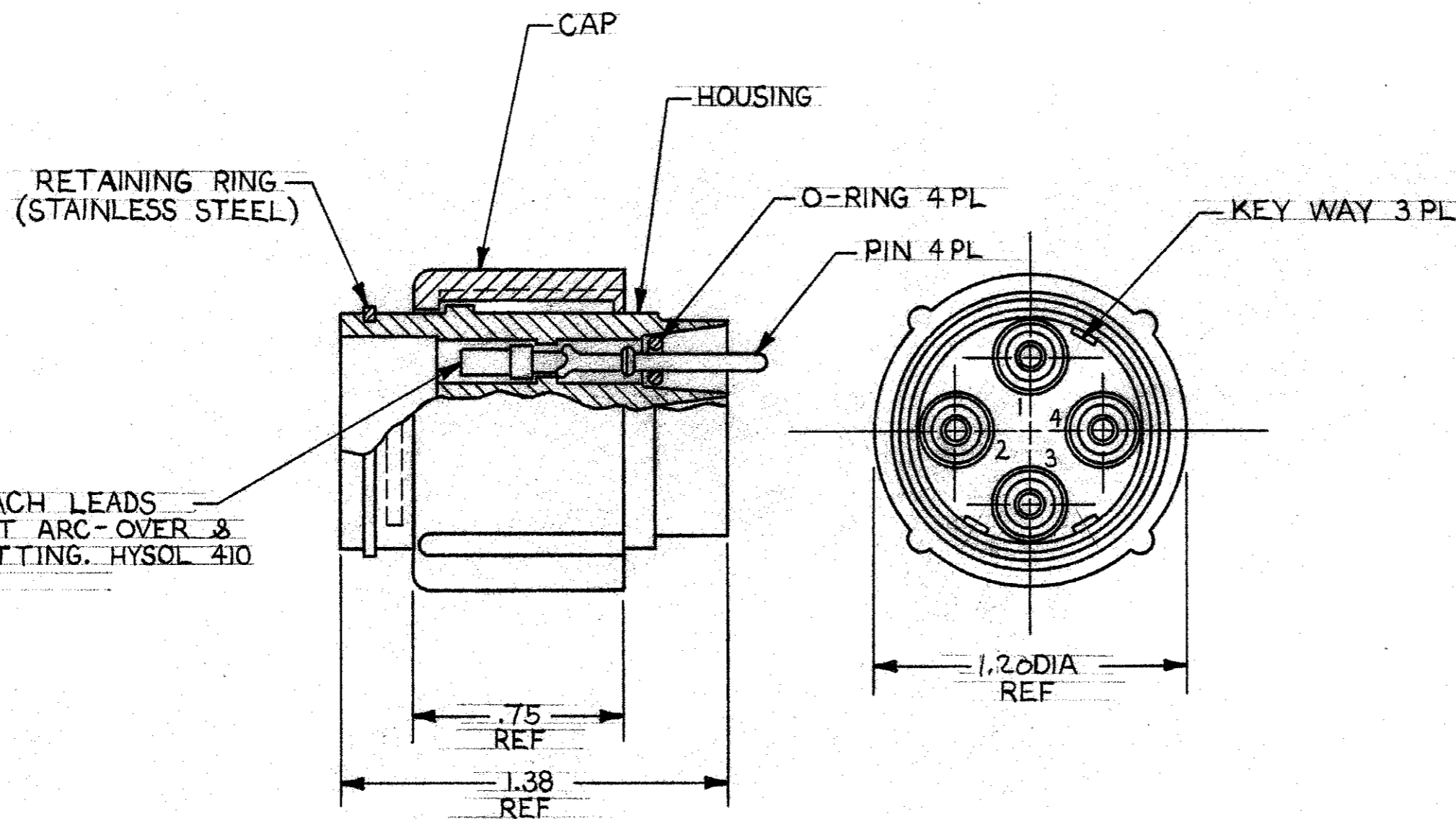
Email & Skype: info@chipsmall.com Web: www.chipsmall.com

Address: A1208, Overseas Decoration Building, #122 Zhenhua RD., Futian, Shenzhen, China



THIS DRAWING IS UNPUBLISHED. RELEASED FOR PUBLICATION, 19
 © COPYRIGHT 19 BY AMP INCORPORATED, HARRISBURG, PA. ALL INTERNATIONAL RIGHTS RESERVED. AMP PRODUCTS MAY BE COVERED BY U.S. AND FOREIGN PATENTS AND/OR PATENTS PENDING.

REVISIONS						
P	F	ZONE	LTR	DESCRIPTION	DATE	APPROVED
0			O	RELEASE	12-14-84	MB
			A	REV PER 0414-120-03	CT	CT



- MARK PER MIL-STD-130.
- #16 GA PINS GOLD PLATED PER MIL-G-45204 TYPE II .00005 THK MIN.
- PLUG & PINS SHIPPED SEPARATELY.
- TO REMOVE PINS USE EXTRACTION TOOL NO 860751-1.

WIRE SIZE RANGE	HAND TOOL	AMP P/N
16, 18	45098	868374-1

UNLESS OTHERWISE SPECIFIED DIMENSIONS ARE IN INCHES. TOLERANCES ON: DECIMALS ± _____ ANGLES ± _____		CONTRACT NO		PART NO	
MATERIAL _____		DR <i>R. Pauch</i> 12-14-84		AMP INCORPORATED Harrisburg, Pa. 17105	
FINISH _____		CHK		NAME	
		APPD <i>M. Gardner</i> 12-14-84		PLUG ASSY 4 PIN	
		APPD		DRAWING NO	
		DSGN APPD		C 00779 868374	
		OTHER APPD		SCALE NTS SHEET	