



Chipsmall Limited consists of a professional team with an average of over 10 year of expertise in the distribution of electronic components. Based in Hongkong, we have already established firm and mutual-benefit business relationships with customers from,Europe,America and south Asia,supplying obsolete and hard-to-find components to meet their specific needs.

With the principle of "Quality Parts,Customers Priority,Honest Operation,and Considerate Service",our business mainly focus on the distribution of electronic components. Line cards we deal with include Microchip,ALPS,ROHM,Xilinx,Pulse,ON,Everlight and Freescale. Main products comprise IC,Modules,Potentiometer,IC Socket,Relay,Connector.Our parts cover such applications as commercial,industrial, and automotives areas.

We are looking forward to setting up business relationship with you and hope to provide you with the best service and solution. Let us make a better world for our industry!



## Contact us

Tel: +86-755-8981 8866 Fax: +86-755-8427 6832

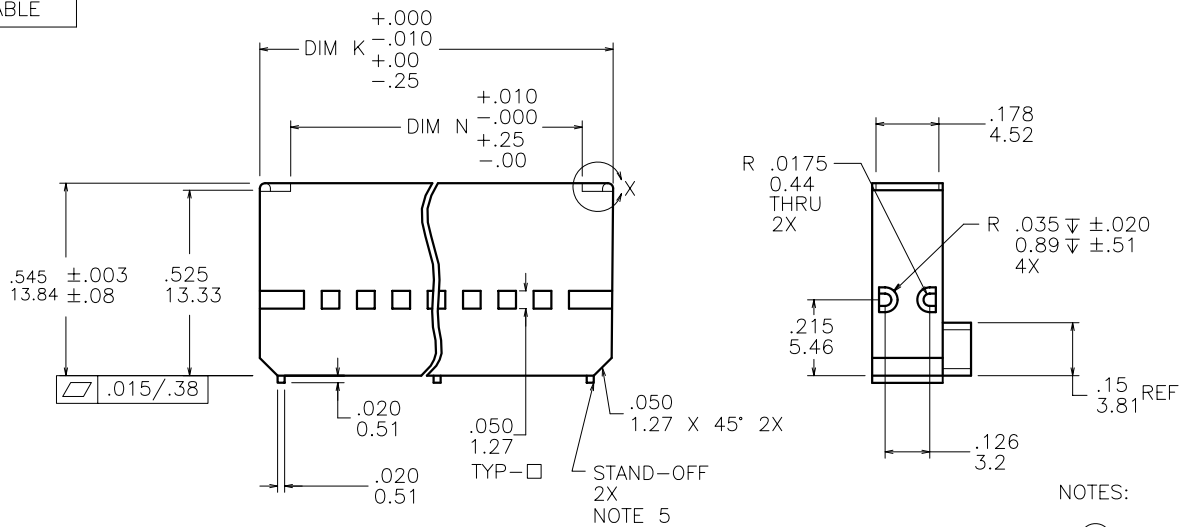
Email & Skype: info@chipsmall.com Web: www.chipsmall.com

Address: A1208, Overseas Decoration Building, #122 Zhenhua RD., Futian, Shenzhen, China



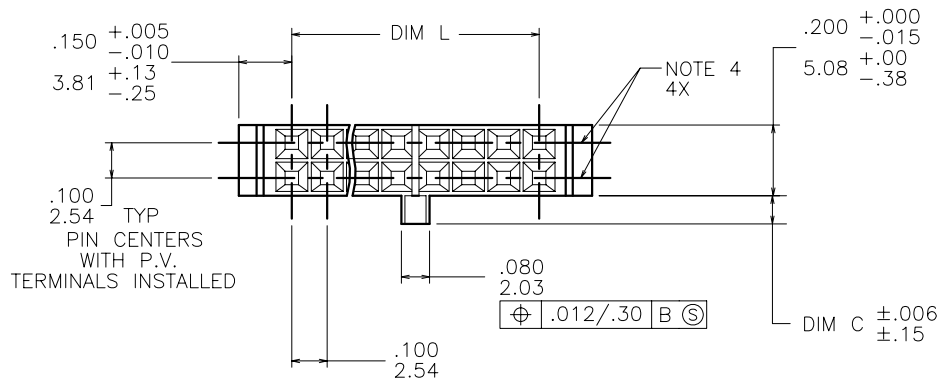
PRODUCT NO.

SEE TABLE



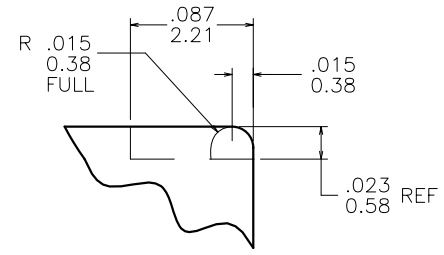
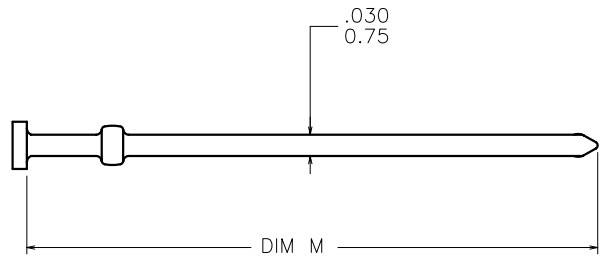
NOTES:

- ① MOLDING MATERIAL: MODIFIED POLYPHENYLENE ETHER, FLAME RETARDANT PER UL-94V-0, COLOR: BLACK.
2. PIN LENGTH TO BE .210/5.33 MIN. RECOMMENDED PIN LENGTH IS .225±.015/5.72±.38.
- ③ RETENTION ROD TO BE INCLUDED WITH MINI ROD HOUSING (QUANTITY 2 PER HSG). RETENTION RODS TO BE TRIMMED AFTER INSERTION.
- ④ END 2 POSITIONS ARE MOLDED CLOSED—BOTH ENDS.
- ⑤ CENTER STAND-OFF ON 2X13 AND LARGER HOUSINGS ONLY.
6. PRODUCT MEETS EUROPEAN UNION DIRECTIVES AND OTHER COUNTRY REGULATIONS AS DESCRIBED IN GS-22-008.
7. THIS PRODUCT IS NOT INTENDED TO BE EXPOSED TO MANUFACTURING SOLDER PROCESSES.
8. PRODUCT SPECIFICATION: BUS-12-067.



mat'l. code SEE NOTE 1				surface ✓	tolerance	projection ⊕	product family PV HOUSINGS
ltr	ecr no	dr	date	tolerances unless otherwise specified		INCH/MM	title
C	C50094	MSC	1995-11-29	angles	linear	XX+01/XX+3	MINI ROD HSG DR POLARIZED WITH LATCHING FEATURE
D	V91206	BKB	1999-07-06			XXX+005/XXX+13	
E	V03-1336	PJ	2004-01-22	0°±2°		XXXX+0020/XXX+051	scale 2:1
F	V05-0717	TAB	2005-07-29	dr	A. RAISTRICK	1990-09-18	sheet 1 of 2 size 85855 A3
G	V06-0448	HTB	2006-05-23	engr	C. TREXLER	1990-09-18	
H	V07-0565	HTB	2007-08-27	chr	C. TREXLER	1990-09-18	type Product Customer Drawing
				appd	C. TREXLER	1990-09-18	
sheet	revision	H	H				
index	sheet	1	2				

PRODUCT NO.	NO OF USABLE POS	DIM K	DIM L	DIM C	RETENTION ROD P/N	DIM M	DIM N
86855-006LF	2 X 3	.500/12.70	.200/5.08	.080/2.03	89590-001	2.300/58.42	.325/8.26
86855-010LF	2 X 5	.700/17.78	.400/10.16	.080/2.03	89590-001	2.300/58.42	.525/13.34
86855-014LF	2 X 7	.900/22.86	.600/15.24	.080/2.03	89590-001	2.300/58.42	.725/18.42
86855-016LF	2 X 8	1.000/25.40	.700/17.78	.080/2.03	89590-001	2.300/58.42	.825/20.96
86855-020LF	2 X 10	1.200/30.48	.900/22.86	.080/2.03	89590-001	2.300/58.42	1.025/26.04
86855-024LF	2 X 12	1.400/35.56	1.100/27.94	.080/2.03	89590-001	2.300/58.42	1.225/31.12
86855-026LF	2 X 13	1.500/38.10	1.200/30.48	.080/2.03	89590-001	2.300/58.42	1.325/33.66
86855-030LF	2 X 15	1.700/43.18	1.400/35.56	.080/2.03	89590-001	2.300/58.42	1.525/38.74
86855-034LF	2 X 17	1.900/48.26	1.600/40.64	.080/2.03	89590-002	4.650/118.11	1.725/43.82
86855-040LF	2 X 20	2.200/55.88	1.900/48.26	.080/2.03	89590-002	4.650/118.11	2.025/51.44
86855-044LF	2 X 22	2.400/60.96	2.100/53.34	.080/2.03	89590-002	4.650/118.11	2.225/56.52
86855-050LF	2 X 25	2.700/68.58	2.400/60.96	.080/2.03	89590-002	4.650/118.11	2.525/64.14
86855-060LF	2 X 30	3.200/81.28	2.900/73.66	.080/2.03	89590-002	4.650/118.11	3.025/76.84



VIEW X  
SCALE: 8:1

RETENTION ROD SEE NOTE 3

mat'l. code SEE NOTE 1				surface <input checked="" type="checkbox"/>		tolerance		projection		product family PV HOUSINGS	
ltr	ecr no	dr	date	tolerances unless otherwise specified				title		MINI ROD HSG DR POLARIZED WITH LATCHING FEATURE	
H				angles	linear	.XX+01/XX+3		INCH/MM		sheet 2 of 2 size	
				0°±2°		.XXX+005/XXX+3		scale 2:1		dwg no 85855	
				dr	A. RAISTRICK	1990-09-18				A3	
				engr	C. TREXLER	1990-09-18					
				chr	C. TREXLER	1990-09-18					
				appd	C. TREXLER	1990-09-18		type		Product Customer Drawing	
sheet index	revision sheet										



Copyright FCJ