

Chipsmall Limited consists of a professional team with an average of over 10 year of expertise in the distribution of electronic components. Based in Hongkong, we have already established firm and mutual-benefit business relationships with customers from,Europe,America and south Asia,supplying obsolete and hard-to-find components to meet their specific needs.

With the principle of “Quality Parts,Customers Priority,Honest Operation,and Considerate Service”,our business mainly focus on the distribution of electronic components. Line cards we deal with include Microchip,ALPS,ROHM,Xilinx,Pulse,ON,Everlight and Freescale. Main products comprise IC,Modules,Potentiometer,IC Socket,Relay,Connector.Our parts cover such applications as commercial,industrial, and automotives areas.

We are looking forward to setting up business relationship with you and hope to provide you with the best service and solution. Let us make a better world for our industry!



Contact us

Tel: +86-755-8981 8866 Fax: +86-755-8427 6832

Email & Skype: info@chipsmall.com Web: www.chipsmall.com

Address: A1208, Overseas Decoration Building, #122 Zhenhua RD., Futian, Shenzhen, China

THIS DRAWING IS UNPUBLISHED. RELEASED FOR PUBLICATION
 © COPYRIGHT BY TYCO ELECTRONICS CORPORATION. ALL RIGHTS RESERVED.

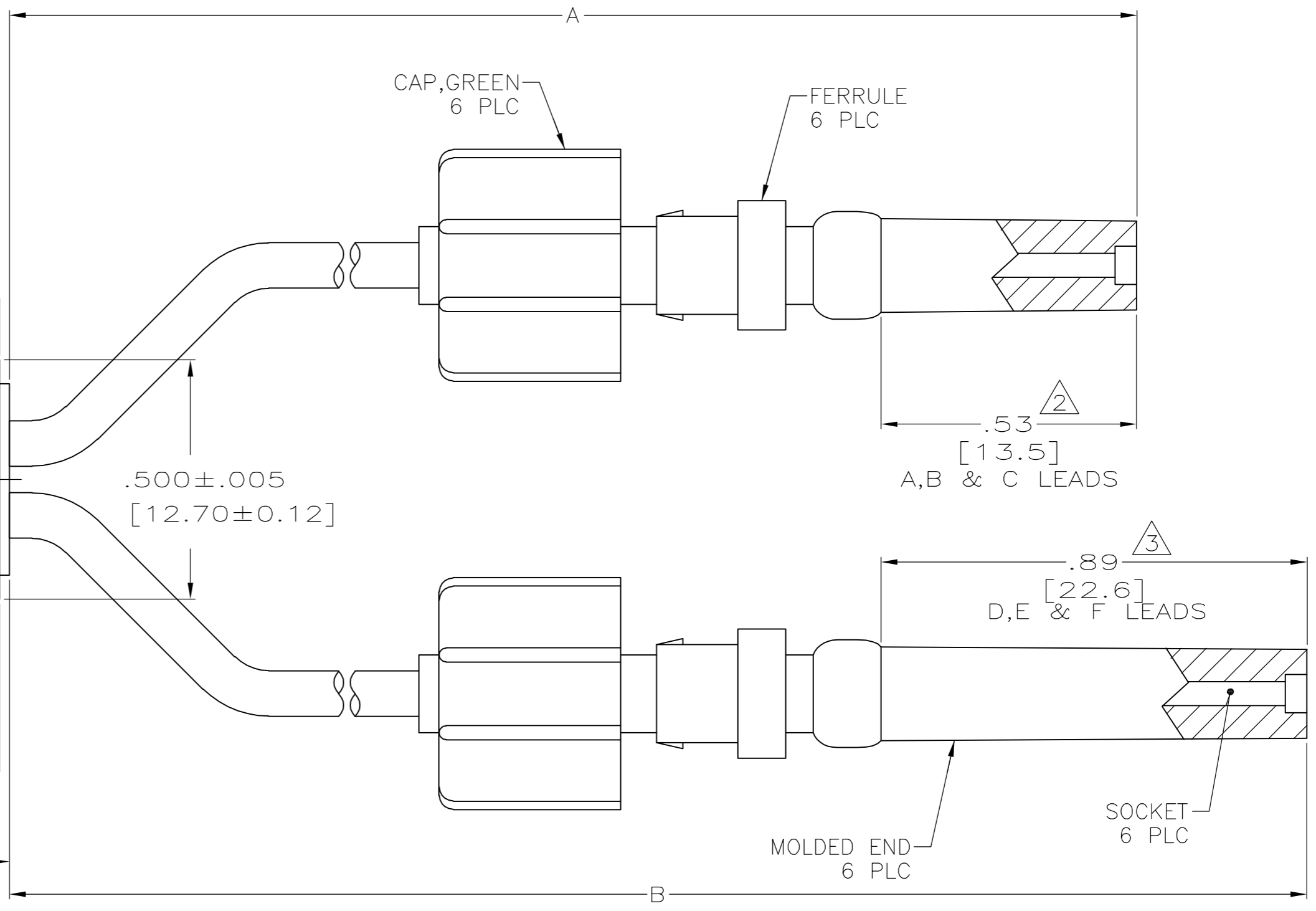
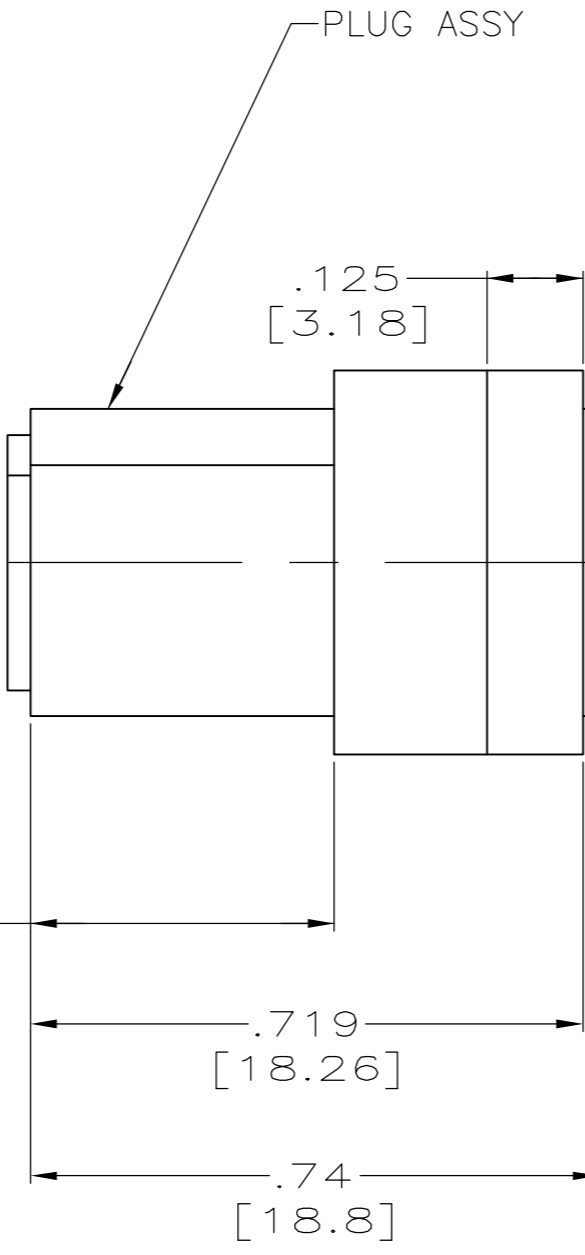
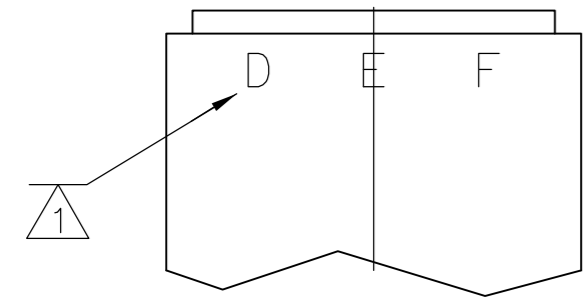
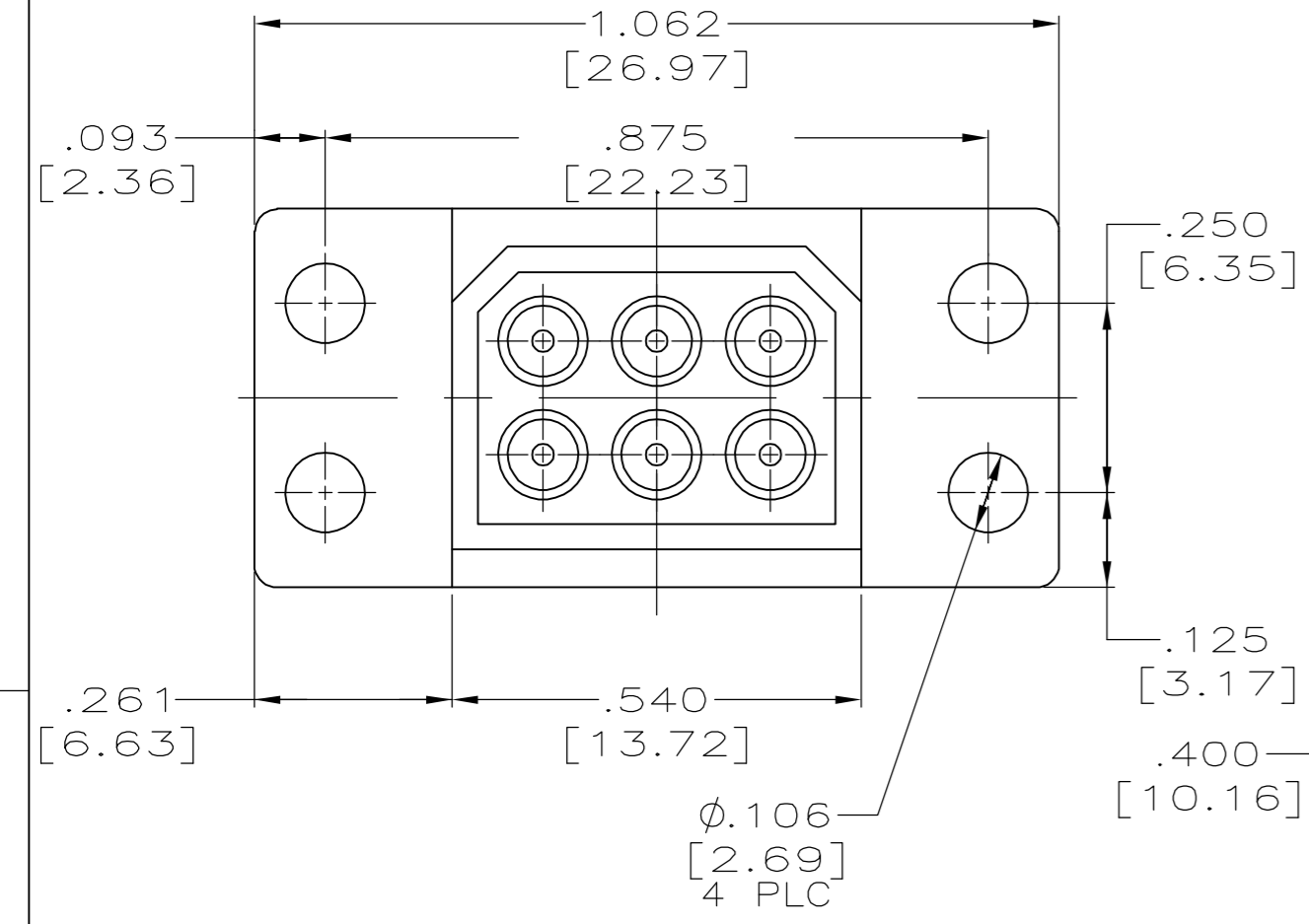
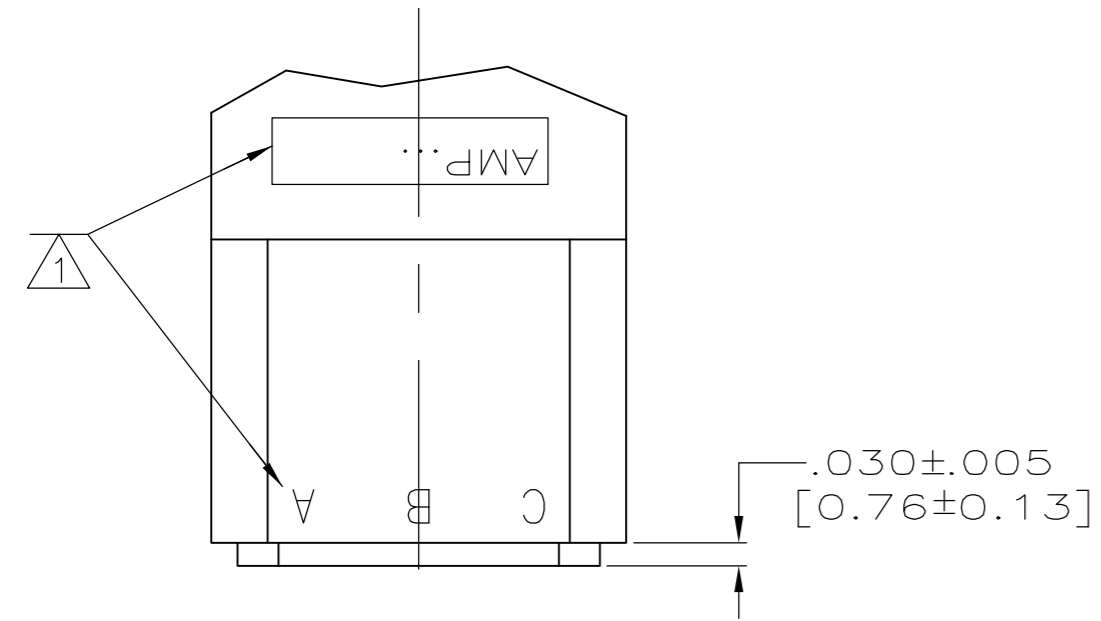
LOC		DIST		REVISIONS			
P	LTR	DESCRIPTION		DATE	DWN	APVD	
DF	S0	E	REV PER ECO-05-011907	15MAY06	PY	DE	

D

C

B

A



- ① CAVITY I.D. AND AMP INFO. MARKED PER MIL-STD-130.
- ② TO MATE WITH AMP LGH-1/2 RECEPTACLE WITH .53 [13.5] BARREL DEPTH.
- ③ TO MATE WITH AMP LGH-1/2L RECEPTACLE WITH .89 [22.6] BARREL DEPTH.

868566-1	F	WHITE	-	14.40 ± .25 [365.8 ± 6.4]
	E	BLACK	-	15.50 ± .25 [393.7 ± 6.4]
	D	BLUE	-	6.10 ± .25 [154.9 ± 6.4]
	C	GREEN	13.80 ± .25 [350.5 ± 6.4]	-
	B	RED	15.50 ± .25 [393.7 ± 6.4]	-
	A	BROWN	5.50 ± .25 [139.7 ± 6.4]	-
PART NO.	POSN	WIRE COLOR	A DIM	B DIM

THIS DRAWING IS A CONTROLLED DOCUMENT.		DWN C.C.THOMAS 7-6-93	Tyco Electronics Corporation Harrisburg, PA 17105-3608														
DIMENSIONS: INCHES		CHK D.EABY 9-16-93															
TOLERANCES UNLESS OTHERWISE SPECIFIED:		APVD D.EABY 9-16-93	NAME PLUG ASSY, 6 POSN WITH FLYING MOLDED END LEADS, LGH														
<table border="0"> <tr><td>0 PLC</td><td>± -</td></tr> <tr><td>1 PLC</td><td>± -</td></tr> <tr><td>2 PLC</td><td>± .03 [0.8]</td></tr> <tr><td>3 PLC</td><td>± .015 [0.38]</td></tr> <tr><td>4 PLC</td><td>± -</td></tr> <tr><td>ANGLES</td><td>± -</td></tr> <tr><td>FINISH</td><td>± -</td></tr> </table>		0 PLC	± -	1 PLC	± -	2 PLC	± .03 [0.8]	3 PLC	± .015 [0.38]	4 PLC	± -	ANGLES	± -	FINISH	± -	PRODUCT SPEC APPLICATION SPEC	SIZE A2
0 PLC	± -																
1 PLC	± -																
2 PLC	± .03 [0.8]																
3 PLC	± .015 [0.38]																
4 PLC	± -																
ANGLES	± -																
FINISH	± -																
MATERIAL SEE CALLOUTS		WEIGHT -	CAGE CODE 00779														
CUSTOMER DRAWING		SCALE 4:1	DRAWING NO C=868566														
		SHEET 1 of 1	RESTRICTED TO -														
		REV E															