



Chipsmall Limited consists of a professional team with an average of over 10 year of expertise in the distribution of electronic components. Based in Hongkong, we have already established firm and mutual-benefit business relationships with customers from,Europe,America and south Asia,supplying obsolete and hard-to-find components to meet their specific needs.

With the principle of “Quality Parts,Customers Priority,Honest Operation,and Considerate Service”,our business mainly focus on the distribution of electronic components. Line cards we deal with include Microchip,ALPS,ROHM,Xilinx,Pulse,ON,Everlight and Freescale. Main products comprise IC,Modules,Potentiometer,IC Socket,Relay,Connector.Our parts cover such applications as commercial,industrial, and automotives areas.

We are looking forward to setting up business relationship with you and hope to provide you with the best service and solution. Let us make a better world for our industry!



Contact us

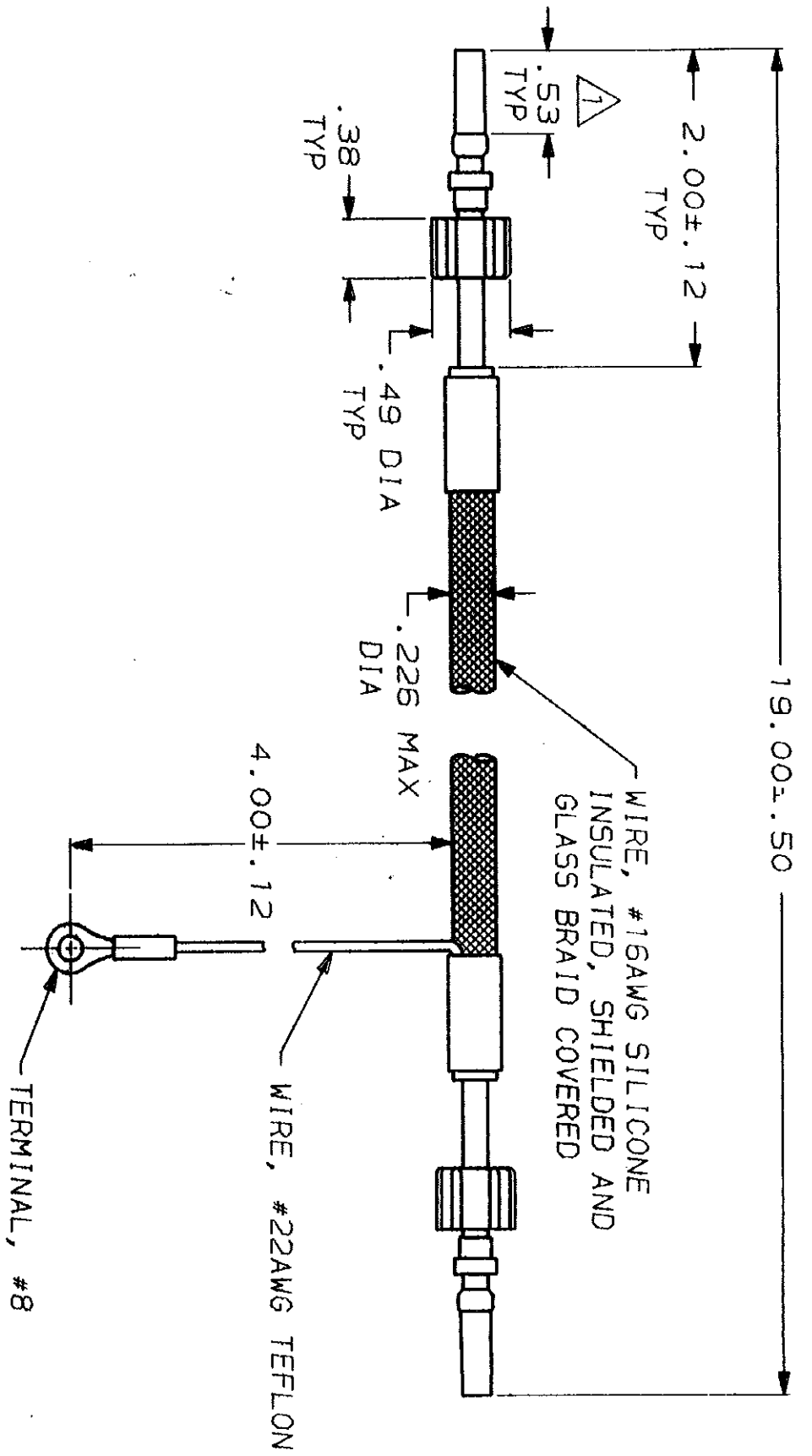
Tel: +86-755-8981 8866 Fax: +86-755-8427 6832

Email & Skype: info@chipsmall.com Web: www.chipsmall.com

Address: A1208, Overseas Decoration Building, #122 Zhenhua RD., Futian, Shenzhen, China



DRAWING MADE IN THIRD ANGLE PROJECTION
 THIS DRAWING IS UNPUBLISHED. RELEASED FOR PUBLICATION
 © COPYRIGHT 19 BY AMP INCORPORATED, HARRISBURG, PA. ALL INTERNATIONAL RIGHTS RESERVED. AMP PRODUCTS MAY BE COVERED BY U.S. AND FOREIGN PATENTS AND/OR PATENTS PENDING.



1 TO MATE WITH AMP LGH-1/2 RECEPTACLE WITH .53 BARREL DEPTH.
 2. MARKED PER MIL-STD-130.

LOC	DIST	P	F	ZONE	LTR	DESCRIPTION	DATE	APPROVED
L	37		✓		A	REV & REDRAWN ECN 53475	8-25-85	M.J.

UNLESS OTHERWISE SPECIFIED DIMENSIONS ARE IN INCHES TOLERANCES ON:		DR	R. HEPPNER	8-15-85	NAME	AMP AMP INCORPORATED Harrisburg, Pa. 17105		
2 PL DEC ± .02	3 PL DEC ± .02	CHK	-		LEAD ASSY,	SIZE	FSCM NO	DRAWING NO
ANGLES ±		APPD	M. GARDNER	8-19-85	LGH-1/2	C	00779	868582
MATERIAL		APPD	-			SCALE	1:1	SHEET
		PRODUCT SPEC	-					1 OF 1
FINISH		APPLICATION SPEC	-					
		WEIGHT	-					

868582-1
PART NO

AMP 1471-7 REV 10-84

CUSTOMER DRAWING