



Chipsmall Limited consists of a professional team with an average of over 10 year of expertise in the distribution of electronic components. Based in Hongkong, we have already established firm and mutual-benefit business relationships with customers from,Europe,America and south Asia,supplying obsolete and hard-to-find components to meet their specific needs.

With the principle of “Quality Parts,Customers Priority,Honest Operation,and Considerate Service”,our business mainly focus on the distribution of electronic components. Line cards we deal with include Microchip,ALPS,ROHM,Xilinx,Pulse,ON,Everlight and Freescale. Main products comprise IC,Modules,Potentiometer,IC Socket,Relay,Connector.Our parts cover such applications as commercial,industrial, and automotives areas.

We are looking forward to setting up business relationship with you and hope to provide you with the best service and solution. Let us make a better world for our industry!



## Contact us

Tel: +86-755-8981 8866 Fax: +86-755-8427 6832

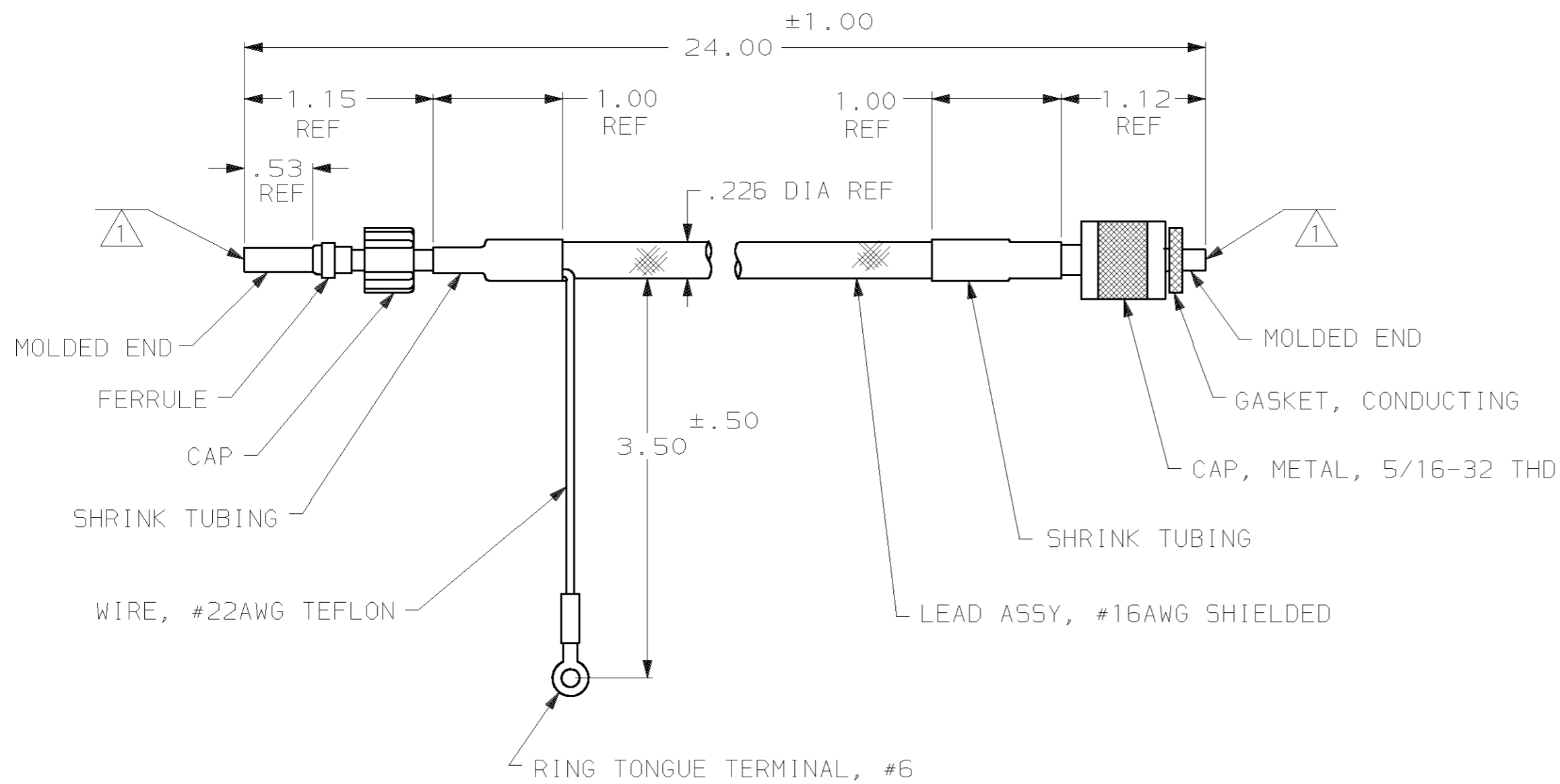
Email & Skype: info@chipsmall.com Web: www.chipsmall.com

Address: A1208, Overseas Decoration Building, #122 Zhenhua RD., Futian, Shenzhen, China



THIS DRAWING IS UNPUBLISHED. RELEASED FOR PUBLICATION ,19 .  
 © COPYRIGHT 19 BY AMP INCORPORATED, HARRISBURG, PA. ALL INTERNATIONAL RIGHTS RESERVED. AMP PRODUCTS MAY BE COVERED BY U.S. AND FOREIGN PATENTS AND/OR PATENTS PENDING.

LOC	DIST	P	F	REVISIONS			DATE	APPROVED
				ZONE	LTR	DESCRIPTION		
				0		RLSE NPR 1631	-	-
✓	✓			A		REV PER 0600-8209-99 JB	3-99	DE
				B		REV PER 063D-0091-99 JEB	3-00	DE



1 TO MATE WITH AMP LGH-1/2 RECEPTACLE WITH .53 BARREL DEPTH.  
 2. MARKED PER MIL-STD-130.

868749-1

PART NO

UNLESS OTHERWISE SPECIFIED  
 DIMENSIONS ARE IN INCHES  
 TOLERANCES ON :  
 2 PL DEC ± -  
 3 PL DEC ± -  
 ANGLES ± -

MATERIAL  
 -

FINISH  
 -

DR -  
 CHK -  
 APPD -  
 APPD -  
 PRODUCT SPEC -  
 APPLICATION SPEC -  
 WEIGHT -

**AMP** | AMP INCORPORATED  
 Harrisburg, Pa. 17105

NAME  
 LEAD ASSY, LGH-1/2

SIZE FSCM NO DRAWING NO  
**C** 00779 868749

SCALE NTS SHEET 1 OF 1