



Chipsmall Limited consists of a professional team with an average of over 10 year of expertise in the distribution of electronic components. Based in Hongkong, we have already established firm and mutual-benefit business relationships with customers from,Europe,America and south Asia,supplying obsolete and hard-to-find components to meet their specific needs.

With the principle of "Quality Parts,Customers Priority,Honest Operation,and Considerate Service",our business mainly focus on the distribution of electronic components. Line cards we deal with include Microchip,ALPS,ROHM,Xilinx,Pulse,ON,Everlight and Freescale. Main products comprise IC,Modules,Potentiometer,IC Socket,Relay,Connector.Our parts cover such applications as commercial,industrial, and automotives areas.

We are looking forward to setting up business relationship with you and hope to provide you with the best service and solution. Let us make a better world for our industry!



Contact us

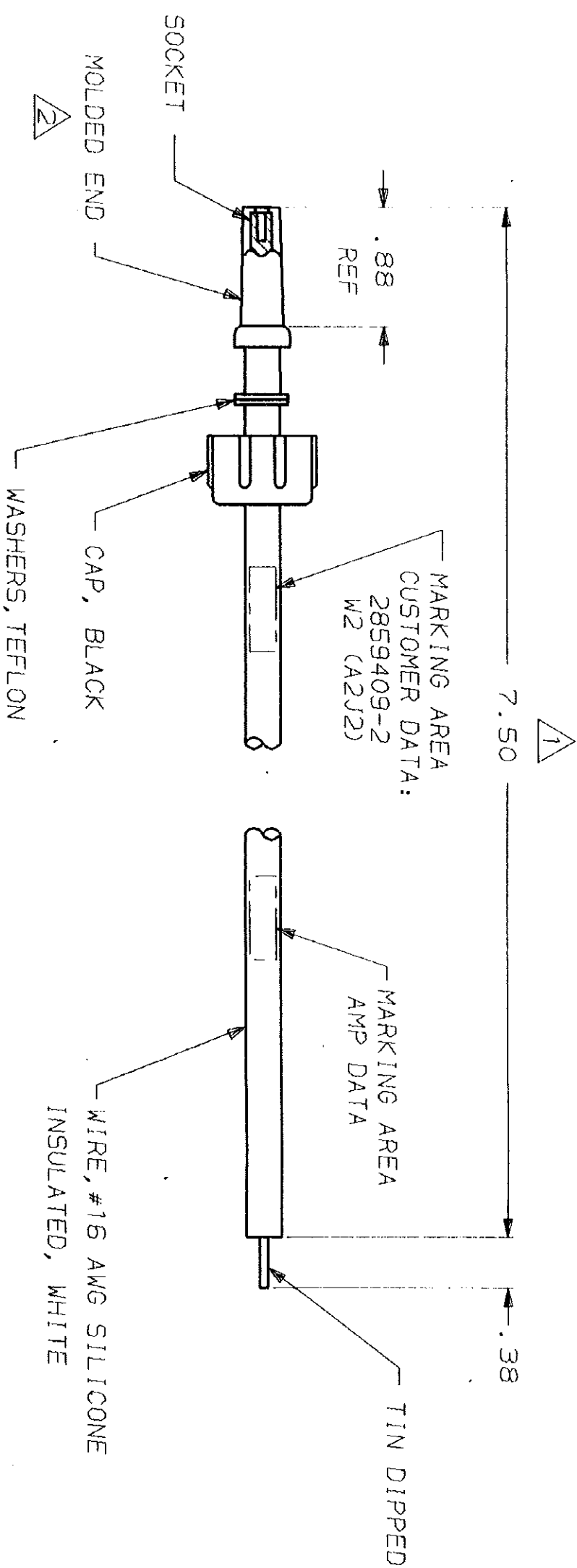
Tel: +86-755-8981 8866 Fax: +86-755-8427 6832

Email & Skype: info@chipsmall.com Web: www.chipsmall.com

Address: A1208, Overseas Decoration Building, #122 Zhenhua RD., Futian, Shenzhen, China



THIS DRAWING IS UNPUBLISHED. RELEASED FOR PUBLICATION
 © COPYRIGHT 19 BY AMP INCORPORATED, HARRISBURG, PA. ALL INTERNATIONAL RIGHTS RESERVED. AMP PRODUCTS MAY BE COVERED BY U.S. AND FOREIGN PATENTS AND/OR PATENTS PENDING.



- 1. TOLERANCE: 0 TO 24" = ±.12, 24" & UP = ± 1%.
- 2. TO MATE WITH RECEPTACLE PART NO 868754-1.
- 3. MARKED PER MIL-STD-130.
- 4. OPERATING VOLTAGE: 30KVDC, AT SEA LEVEL.
- 5. HIPOT: 45 KVDC, SEA LEVEL, 3 MINUTES; 100%.

LOC		DIST		REVISONS		DATE	APPROVED
L	P	F	ZONE	LTR	DESCRIPTION		
						3-20-86	MFB
				0	RLSE NPR 1684		

868755-1
PART NO

UNLESS OTHERWISE SPECIFIED DIMENSIONS ARE IN INCHES TOLERANCES ON :		DR	R.N.	3-19-86	NAME		AMP INCORPORATED HARRISBURG, Pa. 17105	
2 PL DEC ± .02	3 PL DEC ± .02	CHK			LEAD ASSY,			
ANGLES ±		APPD	M. J. M...	3-20-86	LGH-1			
MATERIAL		PRODUCT SPEC			SIZE	FSCM NO	DRAWING NO	
		APPLICATION SPEC			C	00779	868755	
FINISH		WEIGHT			SCALE	NTS	SHEET	1 OF 1

CUSTOMER DRAWING