



Chipsmall Limited consists of a professional team with an average of over 10 year of expertise in the distribution of electronic components. Based in Hongkong, we have already established firm and mutual-benefit business relationships with customers from,Europe,America and south Asia,supplying obsolete and hard-to-find components to meet their specific needs.

With the principle of “Quality Parts,Customers Priority,Honest Operation,and Considerate Service”,our business mainly focus on the distribution of electronic components. Line cards we deal with include Microchip,ALPS,ROHM,Xilinx,Pulse,ON,Everlight and Freescale. Main products comprise IC,Modules,Potentiometer,IC Socket,Relay,Connector.Our parts cover such applications as commercial,industrial, and automotives areas.

We are looking forward to setting up business relationship with you and hope to provide you with the best service and solution. Let us make a better world for our industry!



Contact us

Tel: +86-755-8981 8866 Fax: +86-755-8427 6832

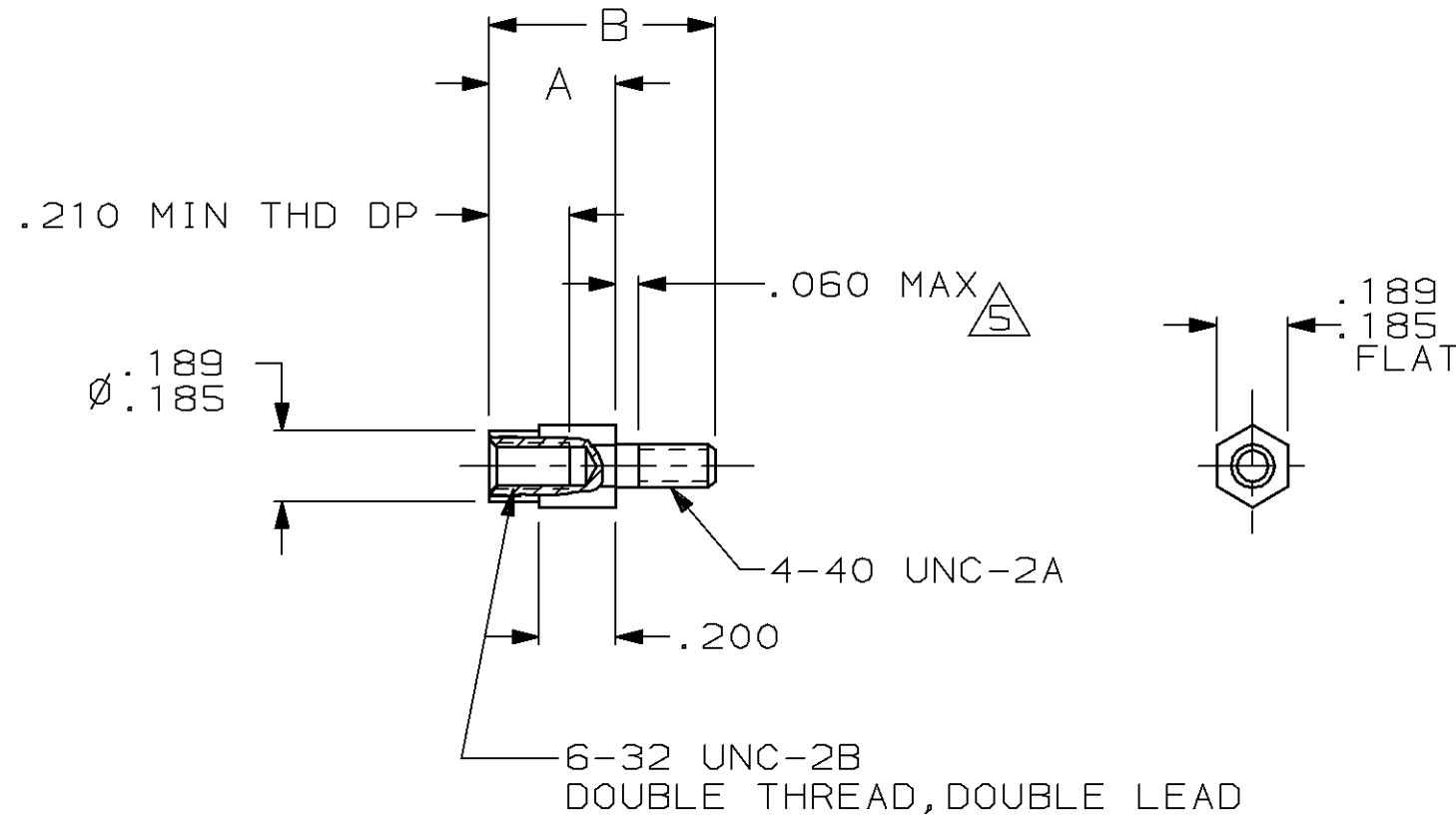
Email & Skype: info@chipsmall.com Web: www.chipsmall.com

Address: A1208, Overseas Decoration Building, #122 Zhenhua RD., Futian, Shenzhen, China



THIS DRAWING IS UNPUBLISHED. RELEASED FOR PUBLICATION, 19
 © COPYRIGHT 19 BY AMP INCORPORATED. ALL INTERNATIONAL RIGHTS RESERVED.

LOC	DIST	P	F	REVISIONS				
				ZONE	LTR	DESCRIPTION	DATE	APPD
AR	39			0		RELEASED TO CUST AR2289	1-89	-
				A		SUPSD -2 PER EC 0020-542-94	12/21/94	GM



- 1 STAINLESS STEEL
- 2 CARBON STEEL
- 3 PASSIVATED
- 4 ZINC PLATED PER QQ-Z-325, CLASS 3, TYPE II
- 5 NO THREAD REQUIRED THIS LENGTH.

	B	A	FINISH	MATERIAL	PART NO.
OBSOLETE	.680	.420	4	2	86937-6
	.589	.330	3	1	86937-3
SUPSD BY 86937-3	.589	.330	4	2	86937-2

DO NOT SCALE PRINT. UNLESS SPECIFIED DIMENSIONS IN INCHES. TOLERANCES ON: 2 PLC DEC ± - 3 PLC DEC ± .005 ANGLES ± -		DR 1-26-89 C. OBERMAN	AMP AMP INCORPORATED Harrisburg, Pa. 17105	
MATERIAL SEE TABLE	CHK 2-15-89 G.D. MILLER	APPD 2-15-89 G.D. MILLER		
FINISH SEE TABLE	APPD 2-15-89 W. PARKER	PRODUCT SPEC -	SIZE B	FSCM NO 00779
	APPLICATION SPEC -	WEIGHT -	DRAWING NO 86937	SCALE 2:1
			SHEET 1 OF 1	