



Chipsmall Limited consists of a professional team with an average of over 10 year of expertise in the distribution of electronic components. Based in Hongkong, we have already established firm and mutual-benefit business relationships with customers from,Europe,America and south Asia,supplying obsolete and hard-to-find components to meet their specific needs.

With the principle of “Quality Parts,Customers Priority,Honest Operation,and Considerate Service”,our business mainly focus on the distribution of electronic components. Line cards we deal with include Microchip,ALPS,ROHM,Xilinx,Pulse,ON,Everlight and Freescale. Main products comprise IC,Modules,Potentiometer,IC Socket,Relay,Connector.Our parts cover such applications as commercial,industrial, and automotives areas.

We are looking forward to setting up business relationship with you and hope to provide you with the best service and solution. Let us make a better world for our industry!



Contact us

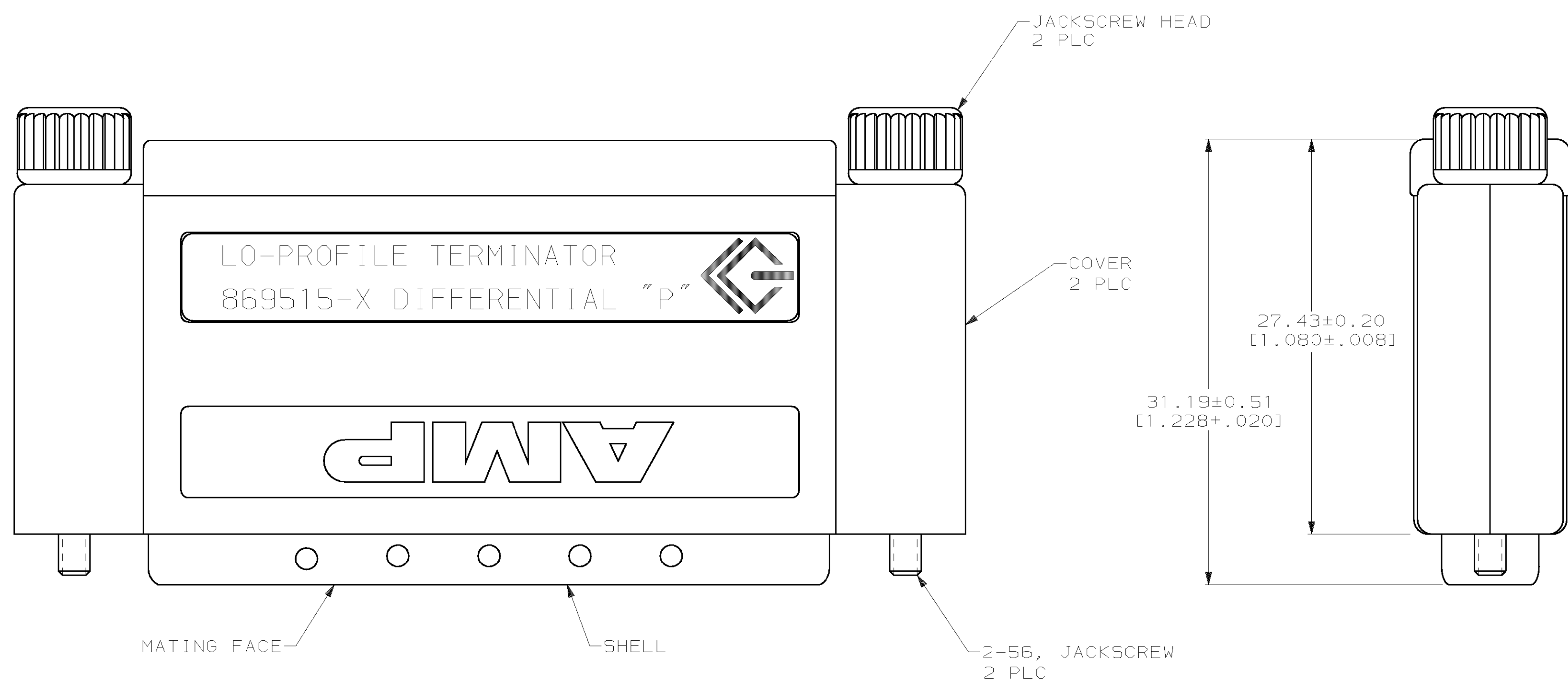
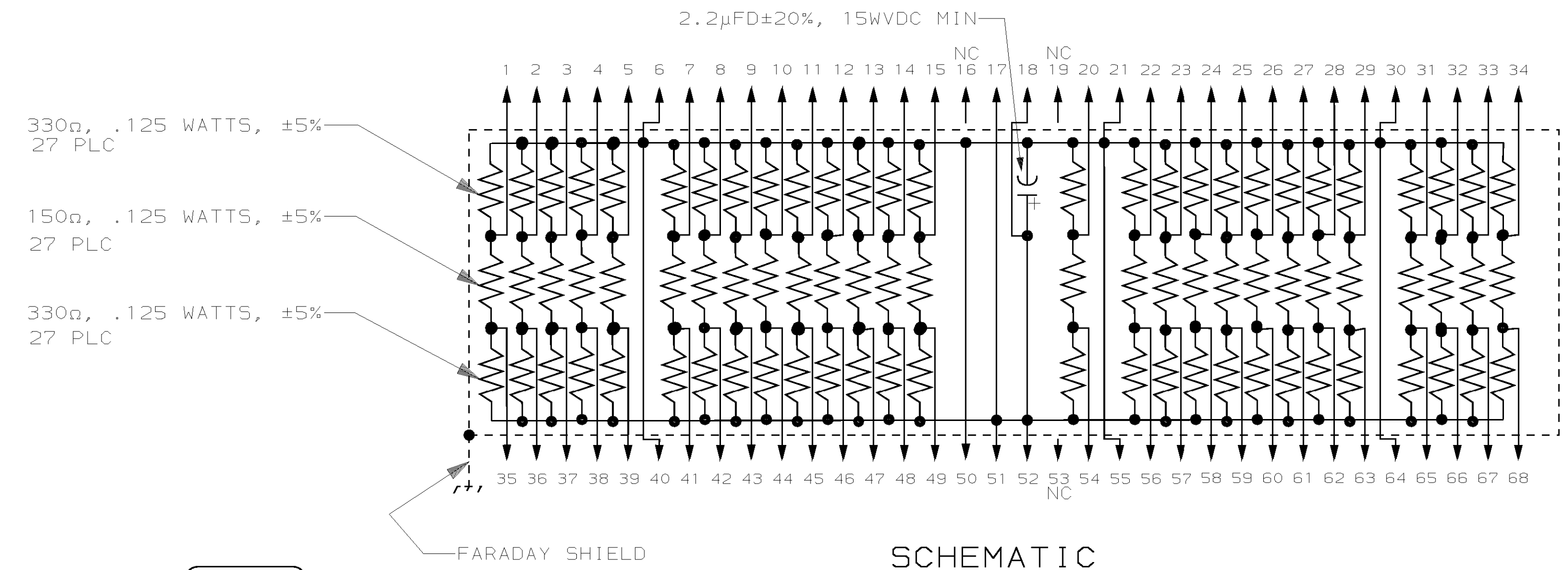
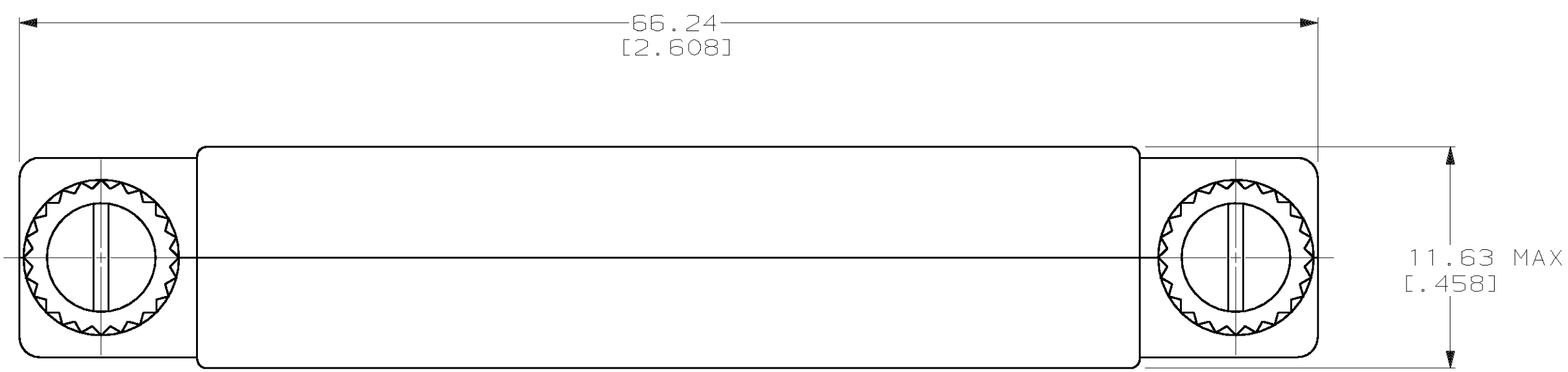
Tel: +86-755-8981 8866 Fax: +86-755-8427 6832

Email & Skype: info@chipsmall.com Web: www.chipsmall.com

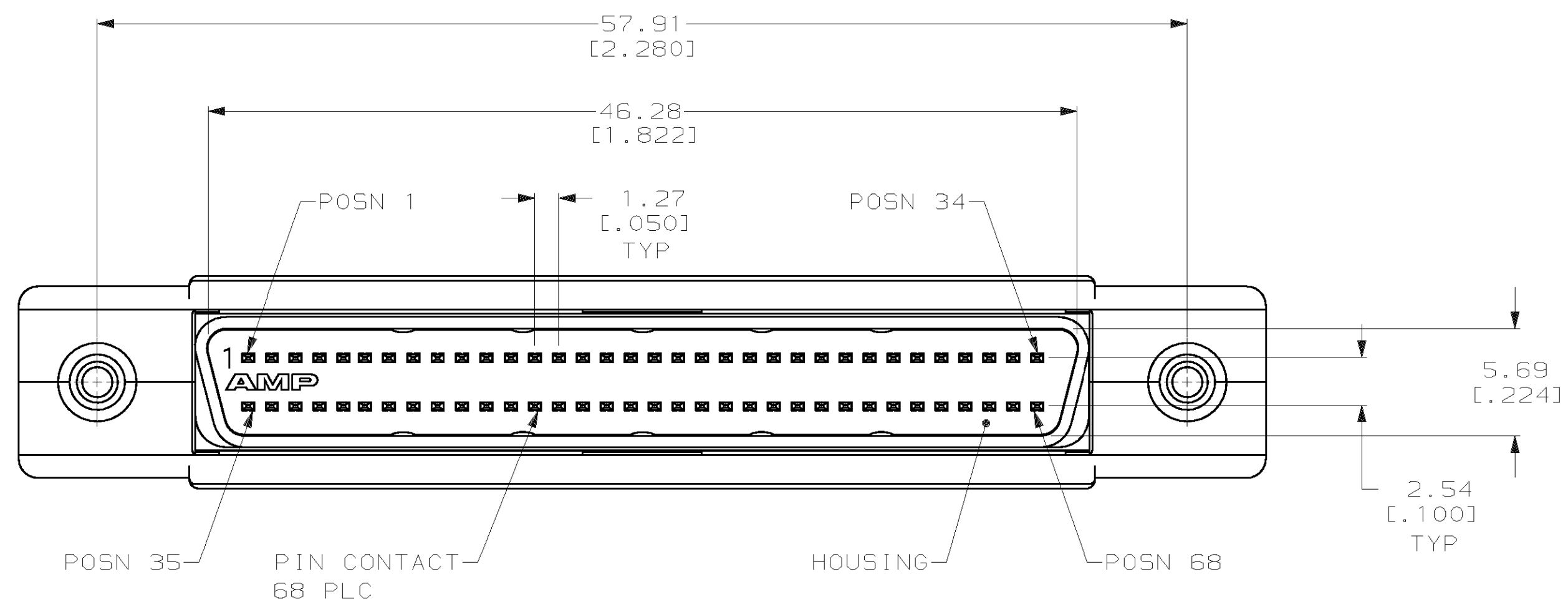
Address: A1208, Overseas Decoration Building, #122 Zhenhua RD., Futian, Shenzhen, China



LOC		DIST		REV		ZONE		LTR		REVISIONS		DATE	APPD
GP	00	P	F							DESCRIPTION			
						F				REV PER EC 0020-601-93	10/27/93	PR	
						G				REV PER EC 0020-1462-93	01/28/94	MLP	
						H				REV PER EC 0020-0080-95	02/01/95	PR	
						J				REV PER EC 0020-0186-95	05/23/95	RF	
						K				REV PER EC 0640-166-99	24 JUN 99	JK	
						L				REV PER EC 051A-0168-00	29 JUN 00	MG	



- ⚠ SHELL: CARBON STEEL; PIN CONTACT: PHOSPHOR BRONZE; HOUSING: POLYESTER, BLACK; RESISTOR: THICK FILM RESISTOR COMPOSITION ON ALUMINA SUBSTRATE. JACKSCREW: STAINLESS STEEL; SHIELD: COPPER; COVER: ABS, GREY, UL 94V-0; JACKSCREW HEAD: PVC, BEIGE.
- ⚠ 5.08μm[.000200] MIN TIN-NICKEL OVER 1.27μm[.000050] MIN COPPER.
- ⚠ 0.76μm[.000030] MIN GOLD FOR A LENGTH OF 3.35[.132] MIN FROM MATING END OVER 1.27μm[.000050] MIN NICKEL.
- ⚠ SEE RESTRICTED CUSTOMER DRAWING 869515-2.



DO NOT SCALE PRINT. UNLESS SPECIFIED DIMENSIONS IN mm [INCHES] TOLERANCES ON: 2 PLC DEC ± 0.25[.010] 3 PLC DEC ± - ANGLES ± -		DR 8-1-91 J McCLINTON		AMP Incorporated Harrisburg, PA 17105-3508	
MATERIAL		CHK 9-30-91 R. STONE			
FINISH SHELL: ⚠ CONTACTS: ⚠		APPD 10-2-91 P. RUELIUS		NAME	
		APPD 10-3-91 J. FULPONI		PLUG ASSEMBLY, 68 POSITION, LOW PROFILE, .050 SERIES AMPLIMITE™ TERMINATOR	
		PRODUCT SPEC -		DRAWING NO 869515	
		APPLICATION SPEC -		SIZE D	
		WEIGHT -		CAGE CODE 00779	
				SCALE 4:1	
				SHEET 1 OF 1	