



Chipsmall Limited consists of a professional team with an average of over 10 year of expertise in the distribution of electronic components. Based in Hongkong, we have already established firm and mutual-benefit business relationships with customers from,Europe,America and south Asia,supplying obsolete and hard-to-find components to meet their specific needs.

With the principle of “Quality Parts,Customers Priority,Honest Operation,and Considerate Service”,our business mainly focus on the distribution of electronic components. Line cards we deal with include Microchip,ALPS,ROHM,Xilinx,Pulse,ON,Everlight and Freescale. Main products comprise IC,Modules,Potentiometer,IC Socket,Relay,Connector.Our parts cover such applications as commercial,industrial, and automotives areas.

We are looking forward to setting up business relationship with you and hope to provide you with the best service and solution. Let us make a better world for our industry!



Contact us

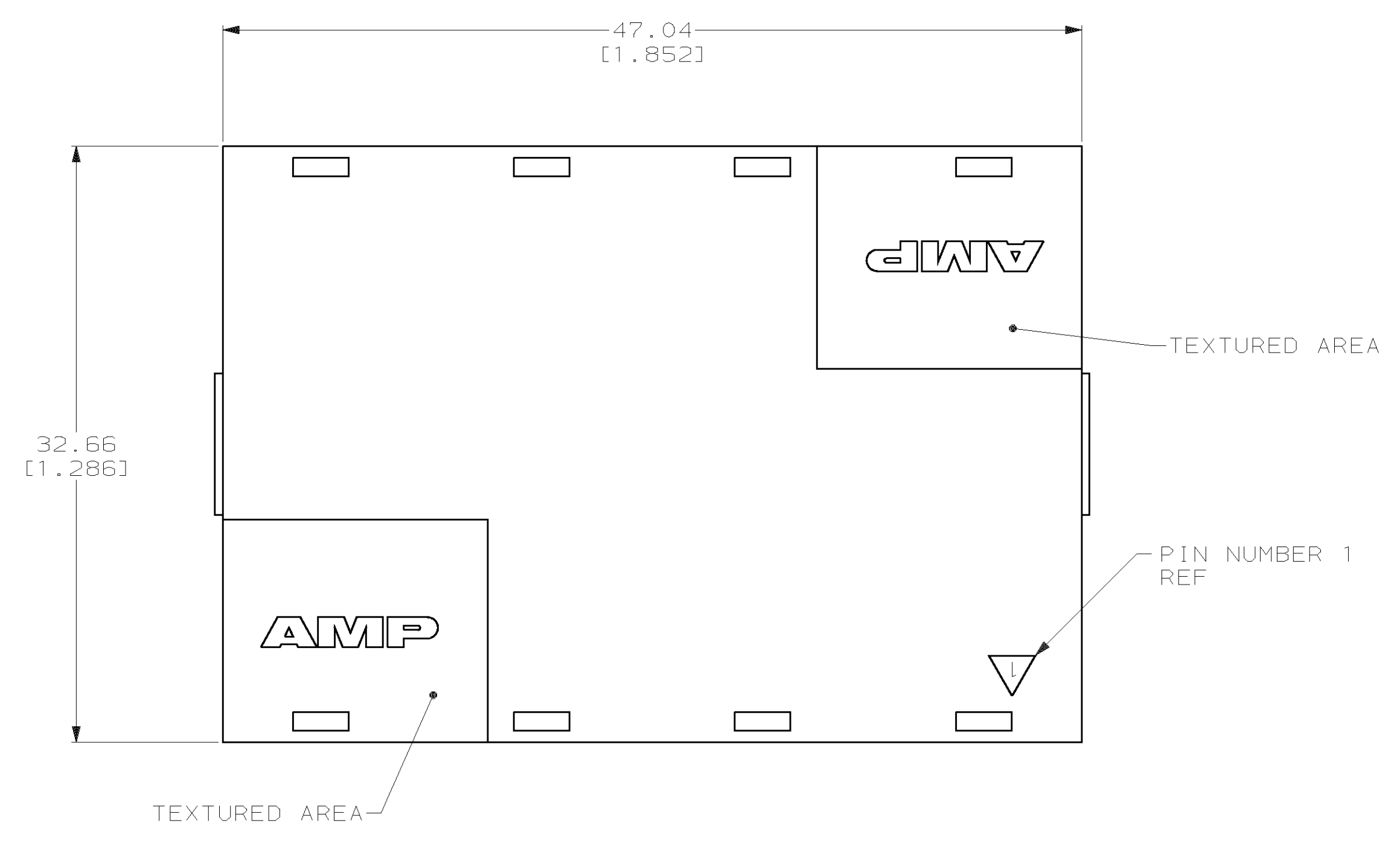
Tel: +86-755-8981 8866 Fax: +86-755-8427 6832

Email & Skype: info@chipsmall.com Web: www.chipsmall.com

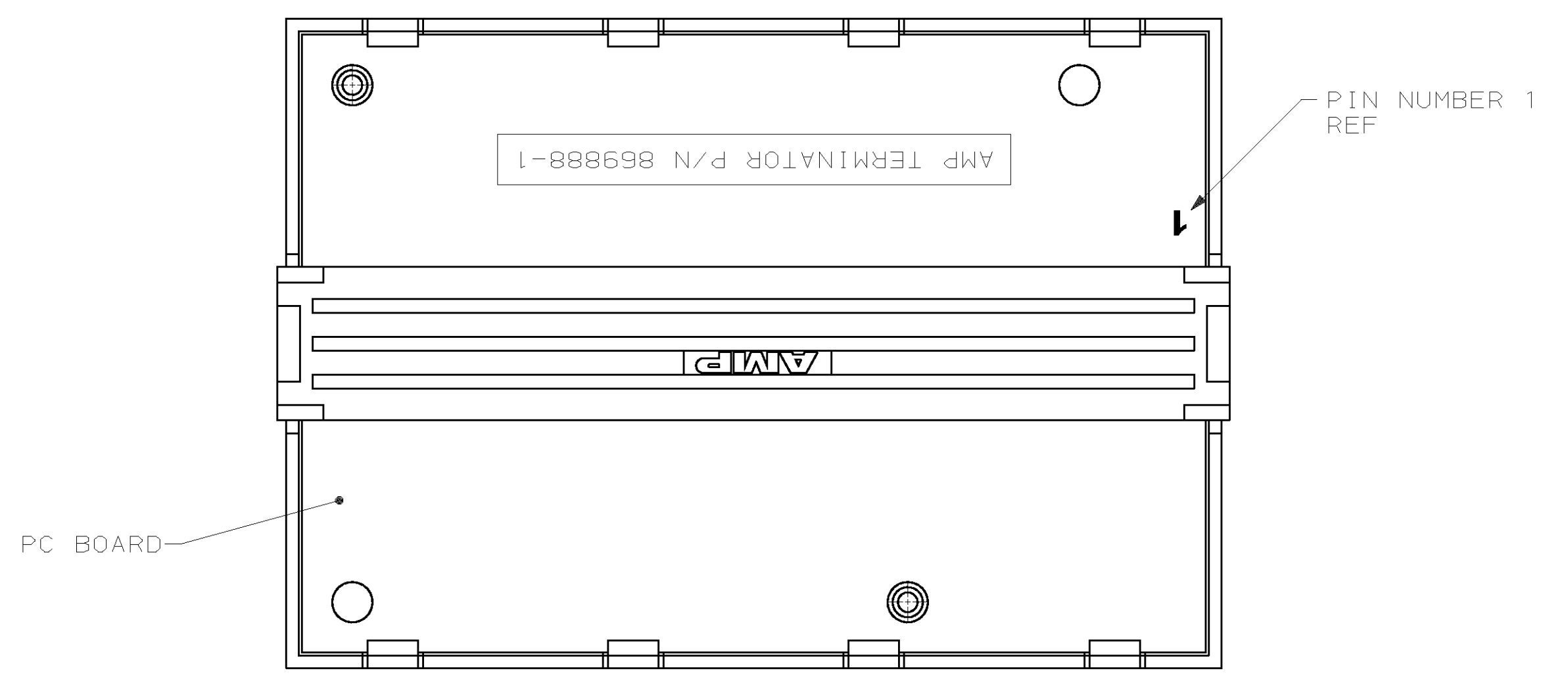
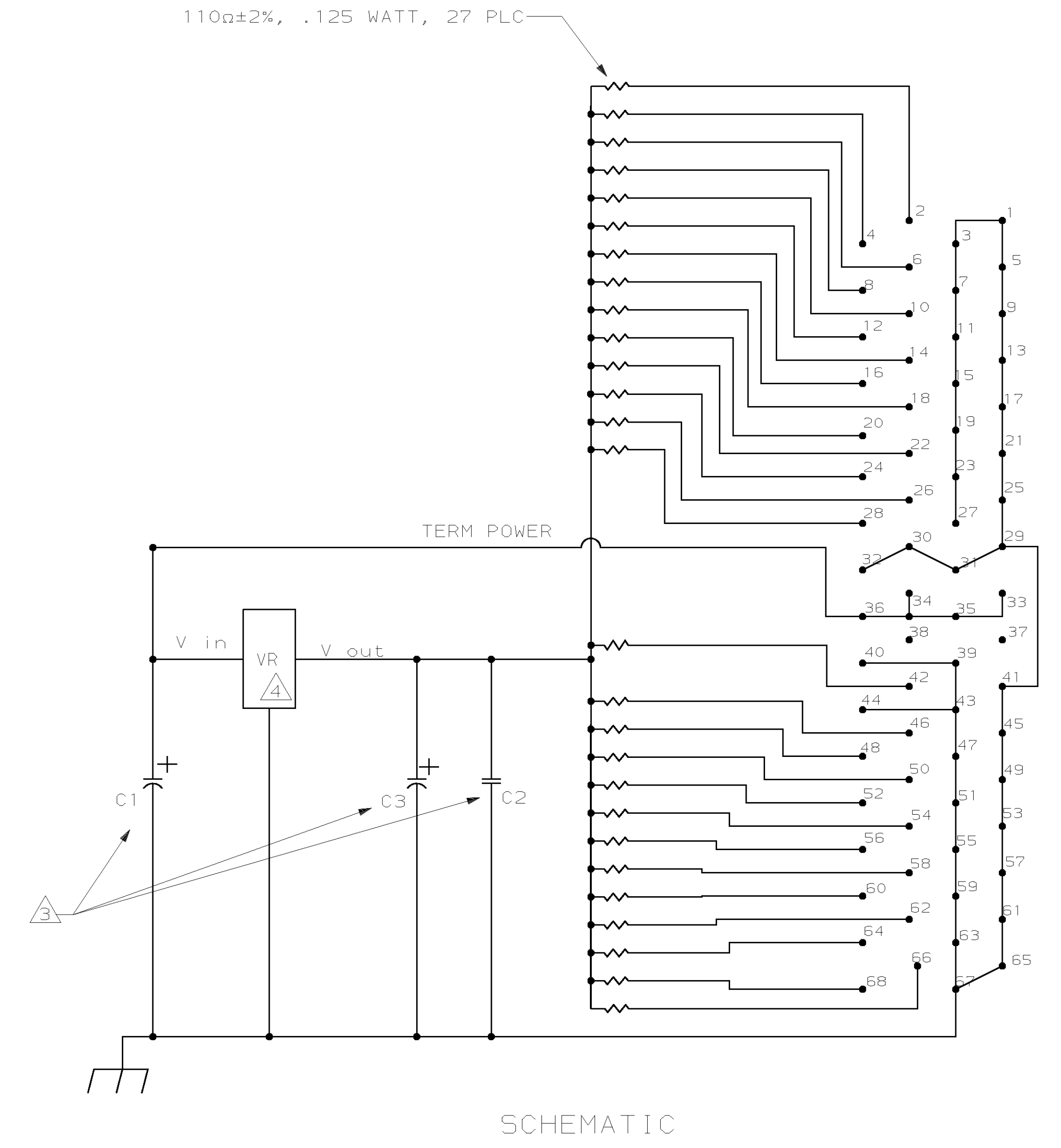
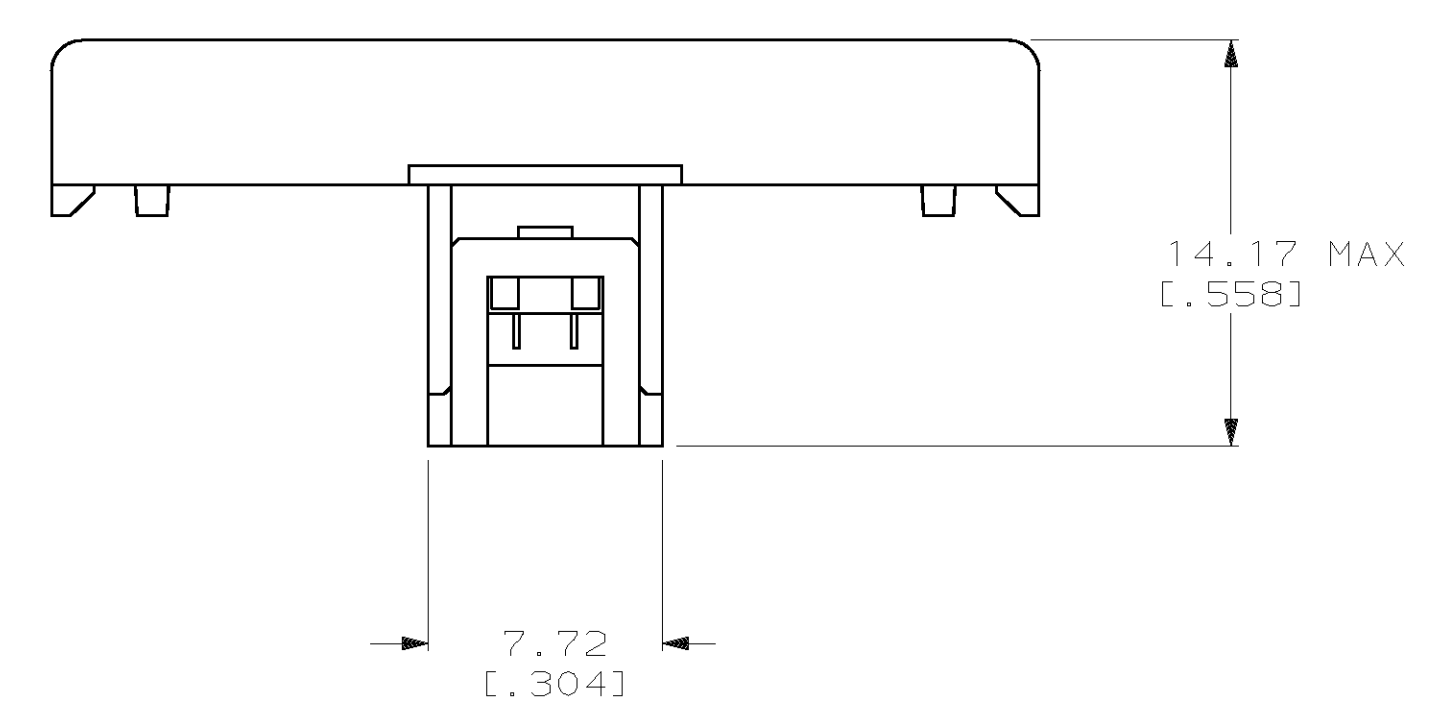
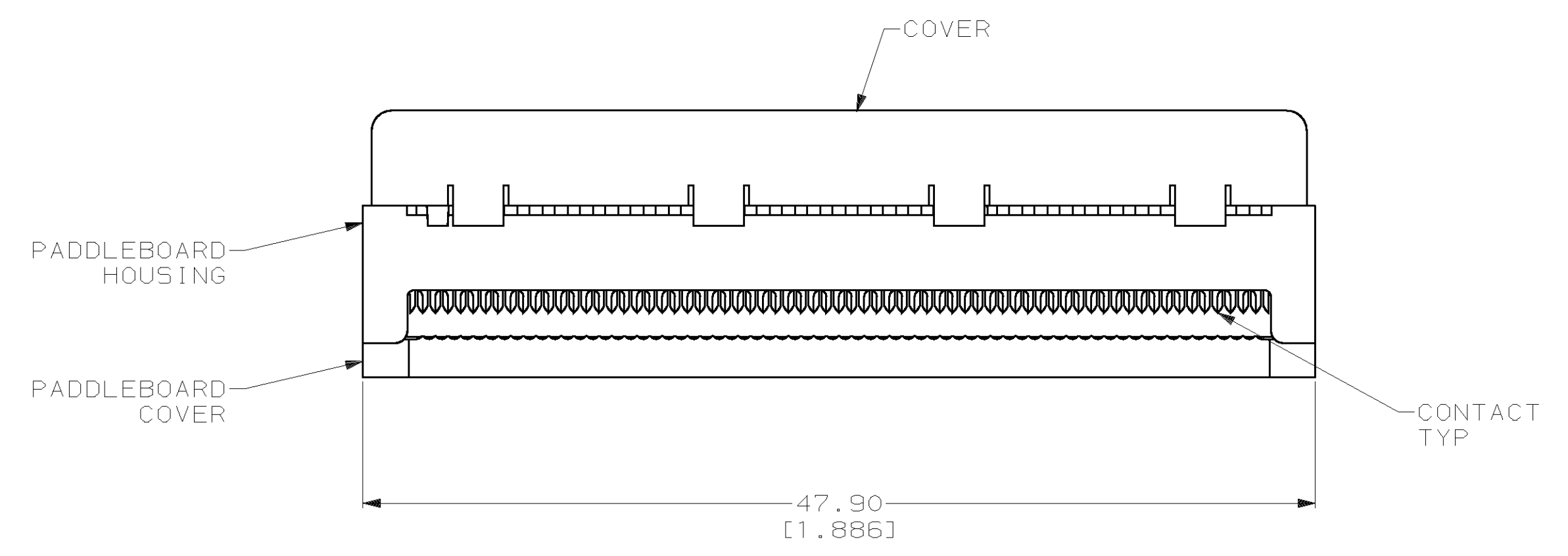
Address: A1208, Overseas Decoration Building, #122 Zhenhua RD., Futian, Shenzhen, China



LOC		DIST		P		F		ZONE		LTR		REVISIONS			
BD	62											DESCRIPTION	DATE	APPD	
												K	REV PER 0520-0287-02	01MAY02	TS/RF



- △1 PADDLEBOARD HOUSING: LCP, BLACK, UL 94V-0 RATED.
 PADDLEBOARD COVER: POLYESTER, BLACK OR GREY, UL 94V-0 RATED.
 COVER: ABS, BLACK, UL 94V-0 RATED.
 CONTACTS: COPPER ALLOY.
 SUBSTRATE: PLASTIC LAMINATE.
- △2 2.54µm [0.000100] MIN TIN-LEAD OVER 1.27µm [0.000050] MIN NICKEL.
- △3 C1 = 4.7µFD TANTALUM; C3 = 22µFD TANTALUM; C2 COMPRISED OF TWO .1µFD CERAMIC CAPACITORS.
- △4 VOLTAGE REGULATOR TO MEET ALL SCSI SINGLE-ENDED ACTIVE REQUIREMENTS.



THIS DRAWING IS A CONTROLLED DOCUMENT FOR AMP INCORPORATED. IT IS SUBJECT TO CHANGE AND THE CONTROLLING ENGINEERING ORGANIZATION SHOULD BE CONTACTED FOR THE LATEST REVISION.

DO NOT SCALE PRINT. UNLESS SPECIFIED DIMENSIONS IN mm [INCHES]		DR 08-08-94 D. BROCKWAY		869888-1 PART NO	
TOLERANCES ON:		CHK 08-09-94 R. STONE		AMP Incorporated Harrisburg, PA 17105-3608	
2 PLC DEC ± 0.13 (0.005)		APPD 09-10-94 J. VANDYKE		NAME	
3 PLC DEC ± -		APPD 09-10-94 J. VANDYKE		.025¢ IDC ASSEMBLY, ACTIVE TERMINATOR	
ANGLES ± -		APPD 09-10-94 J. VANDYKE		MATERIAL	
△1		PRODUCT SPEC		SIZE	
FINISH		APPLICATION SPEC		CAGE CODE	
△2		-		D 00779	
WEIGHT		-		DRAWING NO	
-		-		C-869888	
-		-		SCALE	
-		-		4:1	
-		-		SHEET	
-		-		1 OF 1	