



Chipsmall Limited consists of a professional team with an average of over 10 year of expertise in the distribution of electronic components. Based in Hongkong, we have already established firm and mutual-benefit business relationships with customers from,Europe,America and south Asia,supplying obsolete and hard-to-find components to meet their specific needs.

With the principle of “Quality Parts,Customers Priority,Honest Operation,and Considerate Service”,our business mainly focus on the distribution of electronic components. Line cards we deal with include Microchip,ALPS,ROHM,Xilinx,Pulse,ON,Everlight and Freescale. Main products comprise IC,Modules,Potentiometer,IC Socket,Relay,Connector.Our parts cover such applications as commercial,industrial, and automotives areas.

We are looking forward to setting up business relationship with you and hope to provide you with the best service and solution. Let us make a better world for our industry!



## Contact us

Tel: +86-755-8981 8866 Fax: +86-755-8427 6832

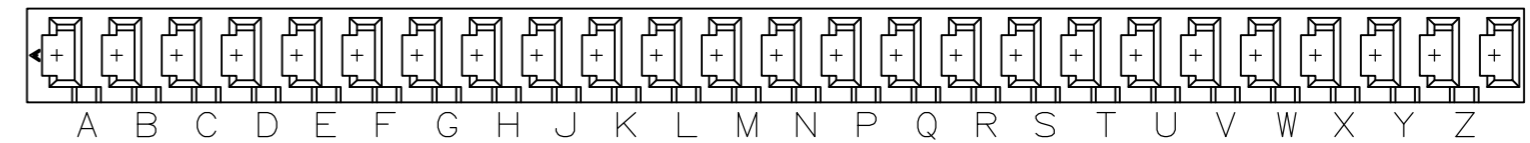
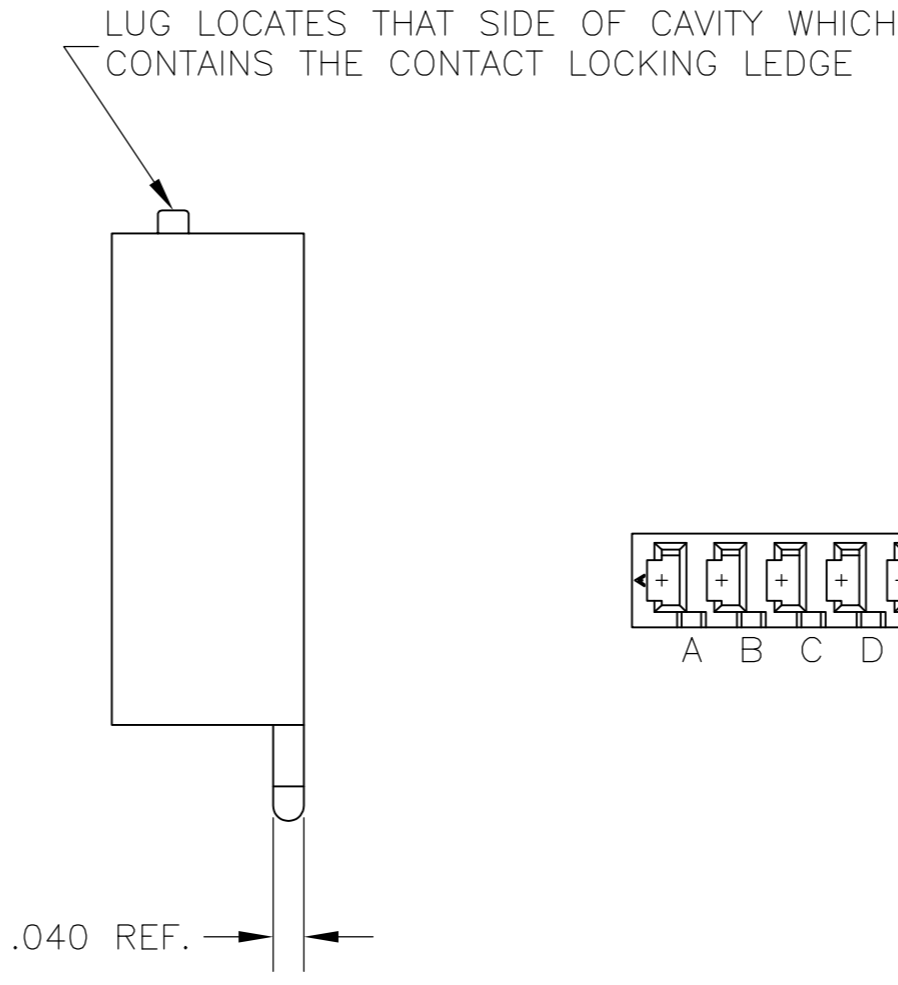
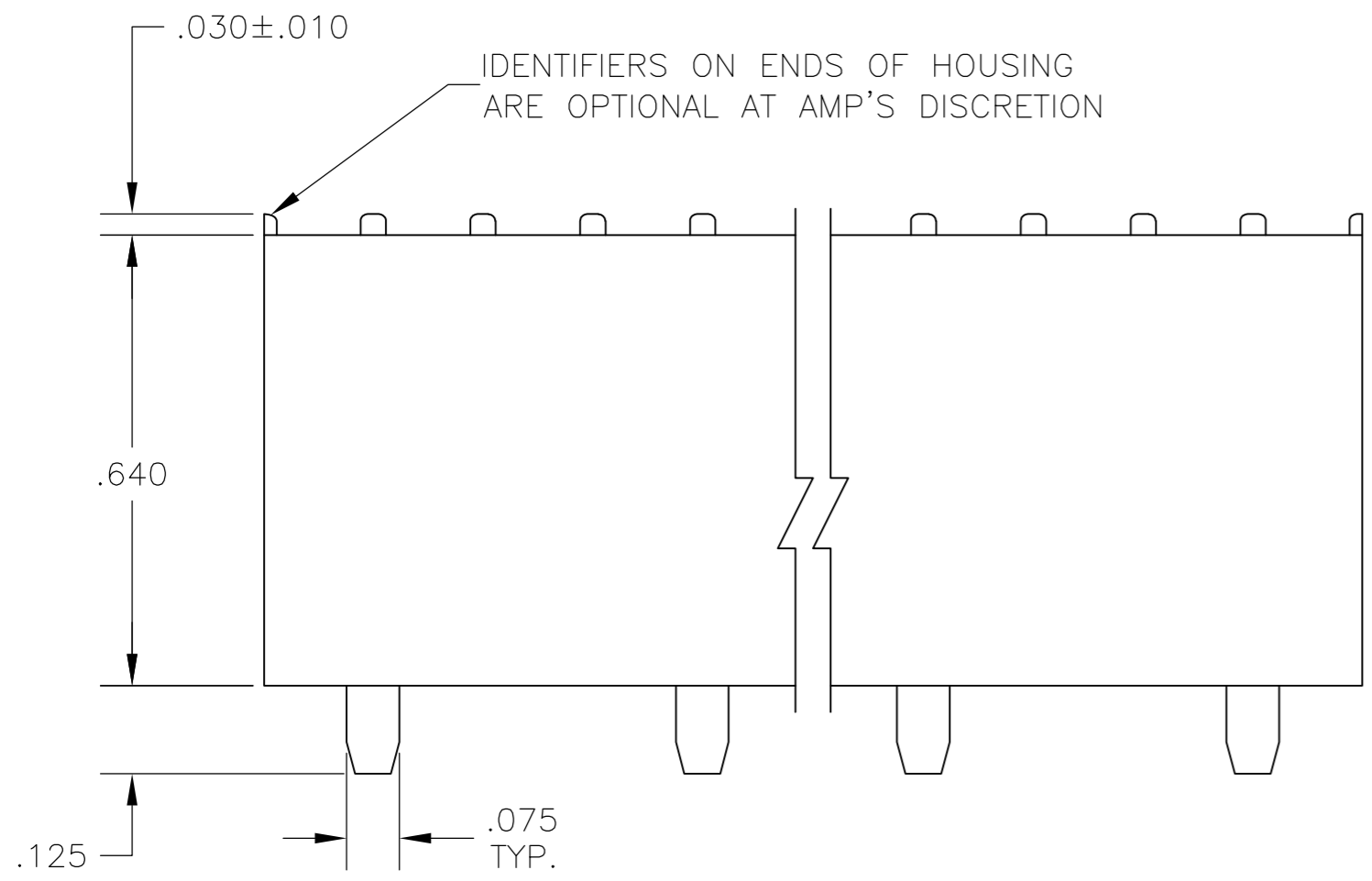
Email & Skype: info@chipsmall.com Web: www.chipsmall.com

Address: A1208, Overseas Decoration Building, #122 Zhenhua RD., Futian, Shenzhen, China

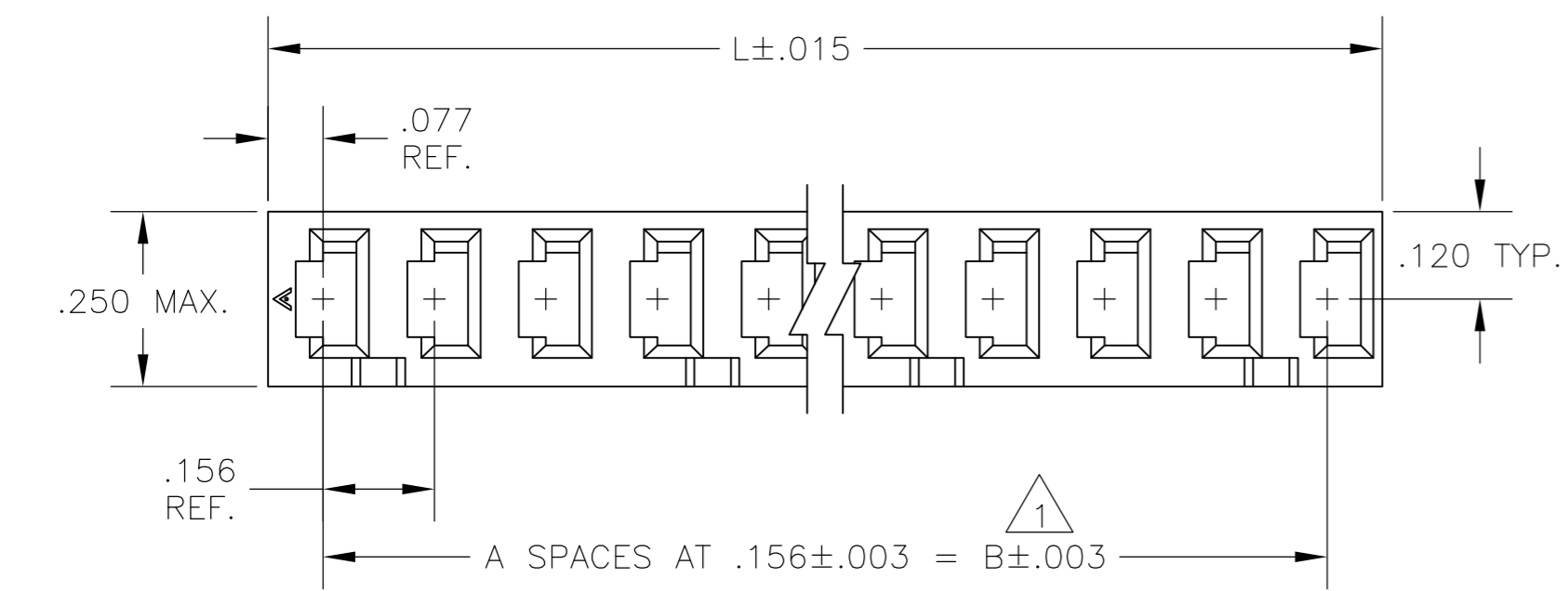


THIS DRAWING IS UNPUBLISHED. RELEASED FOR PUBLICATION  
 © COPYRIGHT - By - ALL RIGHTS RESERVED.

LOC		DIST		REVISIONS				
P	LTR	DESCRIPTION			DATE	DWN	APVD	
	K2	REVISED PER ECO-11-004820			11MAR11	RK	HMR	



KEY LOCATIONS (REF ONLY)



2	OBSOLETE	A,C,E,H,K,M,Q,S,U,W,Y	3.900	3.744	24	11	25	-2=87159-4
	OBSOLETE	A,C,E,G,J,L,N,Q,S,U,W,Y	3.744	3.588	23	12	24	2- -3
	OBSOLETE	A,D,G,K,N,R,U,X	3.588	3.432	22	8	23	2- -2
	OBSOLETE	A,C,E,G,J,L,N,Q,S,U,W	3.432	3.276	21	11	22	2- -1
	OBSOLETE	A,D,G,K,N,R,U	3.276	3.120	20	7	21	2- -0
2	OBSOLETE	A,C,E,G,J,L,N,Q,S,U	3.120	2.964	19	10	20	1- -9
	OBSOLETE	B,D,F,J,L,N,Q,S	2.964	2.808	18	8	19	1- -8
	OBSOLETE	A,D,F,J,P,S	2.808	2.652	17	6	18	1- -7
	OBSOLETE	A,D,G,K,N,R	2.652	2.496	16	6	17	1- -6
	OBSOLETE	A,C,E,G,J,L,N,Q	2.496	2.340	15	8	16	1- -5
	OBSOLETE	A,D,G,K,N	2.340	2.184	14	5	15	1- -4
	OBSOLETE	A,C,E,G,J,L,N	2.184	2.028	13	7	14	1- -3
	OBSOLETE	A,C,E,G,J,L	1.872	1.716	11	6	12	1- -2
	OBSOLETE	A,D,G,K	1.716	1.560	10	4	11	1- -1
	OBSOLETE	A,C,E,G,J	1.560	1.404	9	5	10	1- -0
2	OBSOLETE	A,D,G	1.404	1.248	8	3	9	- -9
	OBSOLETE	A,C,E,G	1.248	1.092	7	4	8	- -8
	OBSOLETE	A,C,E	1.092	.936	6	3	7	- -7
	OBSOLETE	A,C,E	.936	.780	5	3	6	- -6
	OBSOLETE	A,C	.624	.468	3	2	4	- -5
	OBSOLETE	A	.468	.312	2	1	3	- -4
	OBSOLETE	A	.312	.156	1	1	2	- -3
	OBSOLETE	A,D,J,M,	2.028	1.872	12	4	13	- -2
	OBSOLETE	A,D	.780	.624	4	2	5	- -1
			KEY LOCATIONS	L	B	A	NO OF KEYS	NO OF POS

- 1 TOLERANCE NON CUMULATIVE
- 2 OBSOLETE PARTS: OBSOLETE CIS STREAMLINING PER D.RENAUD/D.SINISI

THIS DRAWING IS A CONTROLLED DOCUMENT.

DWN	S. SHUEY	8-7-93
CHK	S. SHUEY	8-7-93
APVD	S. SHUEY	8-7-93

TE Connectivity

HOUSING, MOD I, .156 CL.  
SINGLE ROW, CRIMP SNAP IN,  
KEYED

108-25016  
114-25000

SIZE: A2 CAGE CODE: 00779 DRAWING NO: C=87159

SCALE: 4:1 SHEET: 1 OF 1 REV: K2