



Chipsmall Limited consists of a professional team with an average of over 10 year of expertise in the distribution of electronic components. Based in Hongkong, we have already established firm and mutual-benefit business relationships with customers from,Europe,America and south Asia,supplying obsolete and hard-to-find components to meet their specific needs.

With the principle of "Quality Parts,Customers Priority,Honest Operation,and Considerate Service",our business mainly focus on the distribution of electronic components. Line cards we deal with include Microchip,ALPS,ROHM,Xilinx,Pulse,ON,Everlight and Freescale. Main products comprise IC,Modules,Potentiometer,IC Socket,Relay,Connector.Our parts cover such applications as commercial,industrial, and automotives areas.

We are looking forward to setting up business relationship with you and hope to provide you with the best service and solution. Let us make a better world for our industry!



Contact us

Tel: +86-755-8981 8866 Fax: +86-755-8427 6832

Email & Skype: info@chipsmall.com Web: www.chipsmall.com

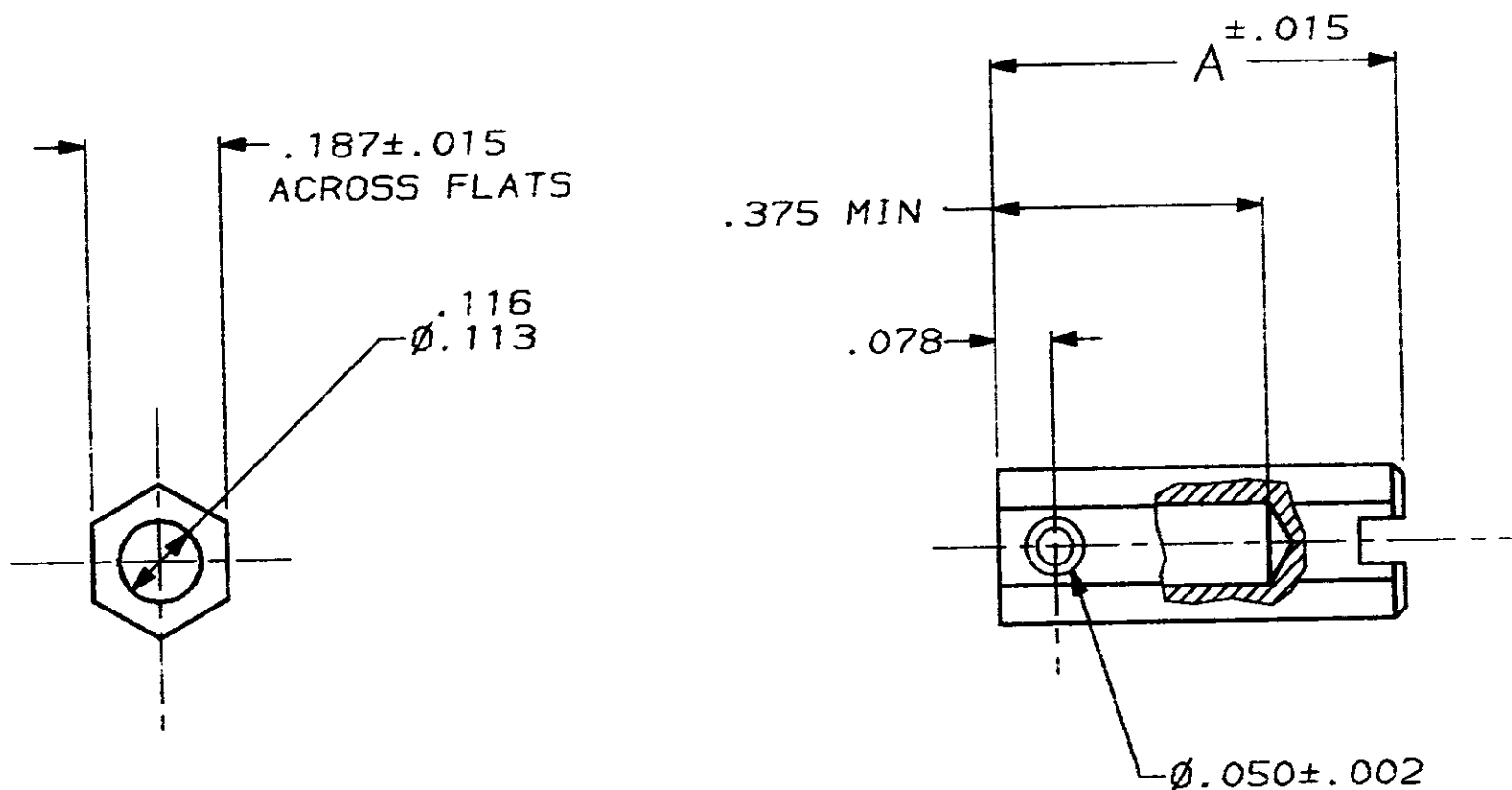
Address: A1208, Overseas Decoration Building, #122 Zhenhua RD., Futian, Shenzhen, China



DRAWING MADE IN THIRD ANGLE PROJECTION

THIS DRAWING IS UNPUBLISHED. RELEASED FOR PUBLICATION .19
 © COPYRIGHT 19 BY AMP INCORPORATED. ALL INTERNATIONAL RIGHTS RESERVED.

LOC	DIST	P	F	ZONE	LTR	DESCRIPTION	DATE	APPO
AR	39	5	✓		J	REDRAWN AR2290	1-89	-



.400	2	1	87184-6
.562	2	1	87184-2
A	FINISH	MATERIAL	PART NO.

1 STAINLESS STEEL
 2 PASSIVATED

DO NOT SCALE PRINT. UNLESS SPECIFIED DIMENSIONS IN INCHES TOLERANCES ON: 2 PLC DEC ± - 3 PLC DEC ± .005 ANGLES ± -		DR 1-31-89 C. OBERMAN		AMP INCORPORATED Harrisburg, Pa. 17105	
MATERIAL SEE TABLE		CHK - 2-1-89 APPD - 2-1-89 APPS - 2-1-89 PRODUCT SPEC -		NAME BODY, JACKSCREW	
FINISH SEE TABLE		APPLICATION SPEC -		SIZE B	FSCN NO 00779
		WEIGHT -		DRAWING NO 87184	SHEET 1 OF 1

CUSTOMER DRAWING