



Chipsmall Limited consists of a professional team with an average of over 10 year of expertise in the distribution of electronic components. Based in Hongkong, we have already established firm and mutual-benefit business relationships with customers from,Europe,America and south Asia,supplying obsolete and hard-to-find components to meet their specific needs.

With the principle of "Quality Parts,Customers Priority,Honest Operation,and Considerate Service",our business mainly focus on the distribution of electronic components. Line cards we deal with include Microchip,ALPS,ROHM,Xilinx,Pulse,ON,Everlight and Freescale. Main products comprise IC,Modules,Potentiometer,IC Socket,Relay,Connector.Our parts cover such applications as commercial,industrial, and automotives areas.

We are looking forward to setting up business relationship with you and hope to provide you with the best service and solution. Let us make a better world for our industry!



Contact us

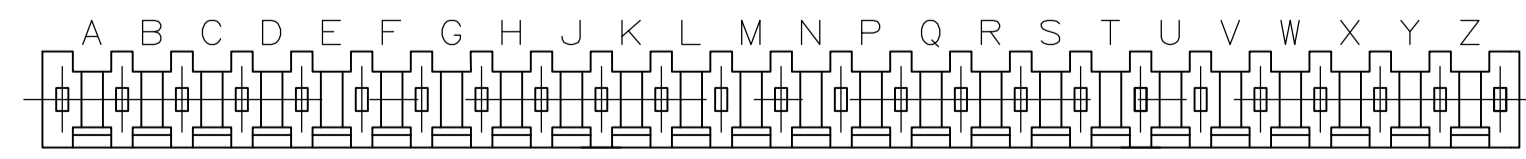
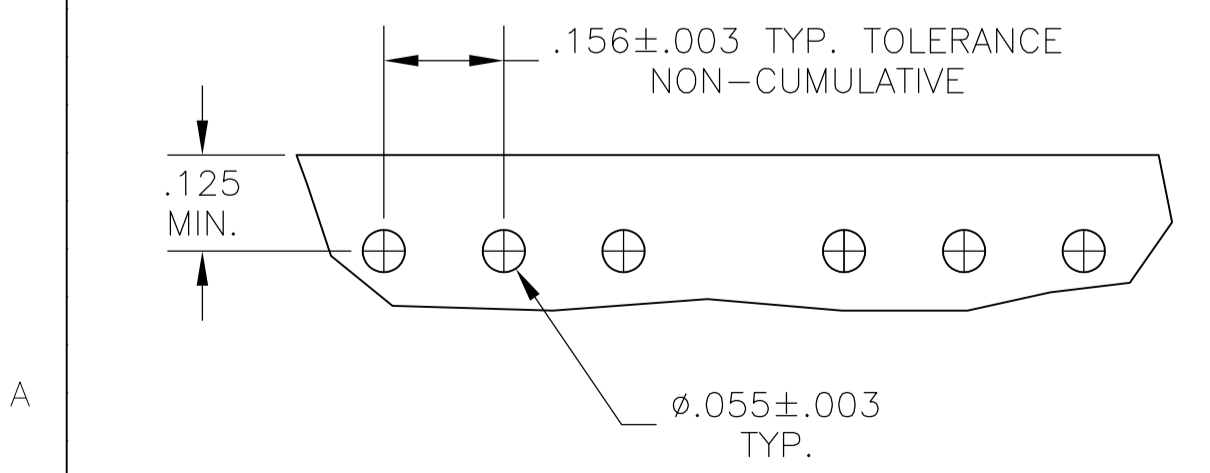
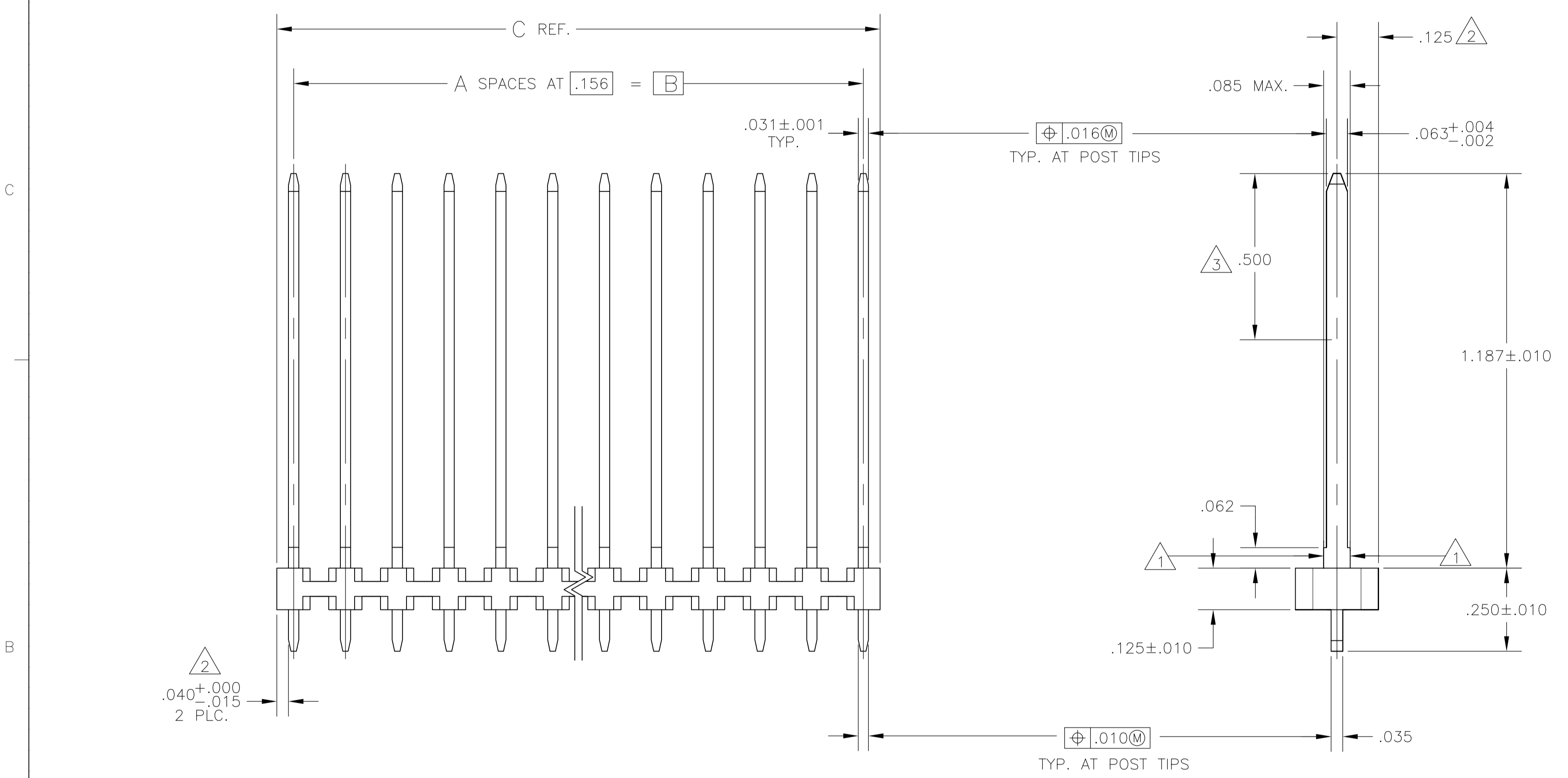
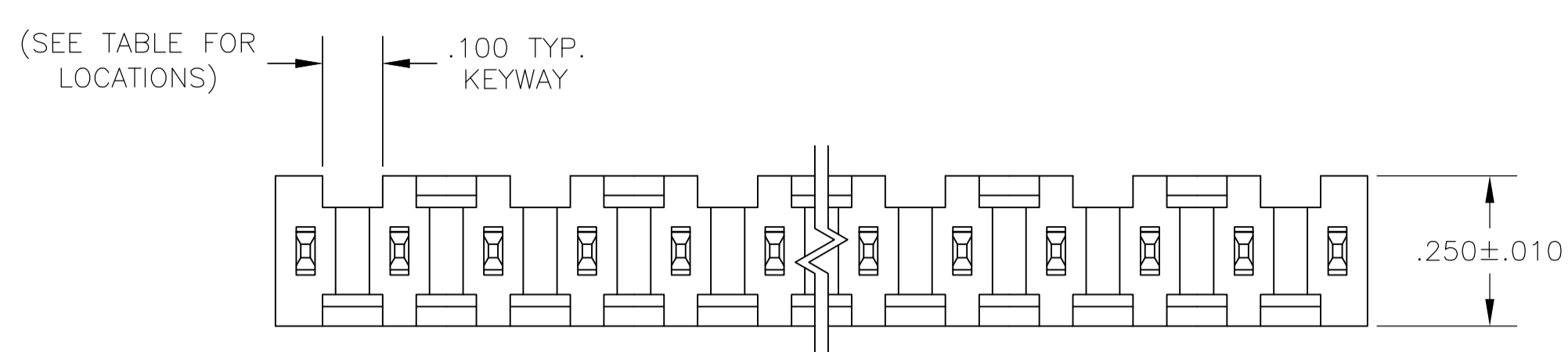
Tel: +86-755-8981 8866 Fax: +86-755-8427 6832

Email & Skype: info@chipsmall.com Web: www.chipsmall.com

Address: A1208, Overseas Decoration Building, #122 Zhenhua RD., Futian, Shenzhen, China



- 1 THESE SURFACES WILL NOT BE PLATED
- 2 THE NOTED DIMENSIONS APPLY AT THE INTERSECTION OF THE POST AND THE HOUSING POINT OF MEASUREMENT FOR PLATING THICKNESS
- 3 HOUSING POINT OF MEASUREMENT FOR PLATING THICKNESS
- 4 OBSOLETE PARTS: OBSOLETE CIS STREAMLINING PER D.RENAUD/D.SINISI



KEYWAY LOCATIONS (REF-SEE TABLE)
 (MATING LENGTH OF POST ON NEAR SIDE)
 SCALE: 2:1

OBSOLETE	-	0	5.415	5.304	34	35	3-87283-5
OBSOLETE	-	0	5.259	5.148	33	34	3-87283-4
OBSOLETE	-	0	5.103	4.992	32	33	3-87283-3
OBSOLETE	-	0	4.947	4.836	31	32	3-87283-2
OBSOLETE	-	0	4.791	4.680	30	31	3-87283-1
OBSOLETE	-	0	4.635	4.524	29	30	3-87283-0
OBSOLETE	-	0	4.479	4.368	28	29	2-87283-9
OBSOLETE	-	0	4.323	4.212	27	28	2-87283-8
OBSOLETE	-	0	4.167	4.056	26	27	2-87283-7
OBSOLETE	-	0	4.011	3.900	25	26	2-87283-6
4 OBSOLETE	A,C,E,H,K,M,Q,S,U,W,Y	11	3.855	3.744	24	25	2-87283-5
	A,C,E,G,J,L,N,Q,S,U,W,Y	12	3.699	3.588	23	24	2-87283-4
	A,D,G,K,N,R,U,X	8	3.543	3.432	22	23	2-87283-3
	A,C,E,G,J,L,N,Q,S,U,W	11	3.387	3.276	21	22	2-87283-2
	A,D,G,K,N,R,U	7	3.231	3.120	20	21	2-87283-1
	A,C,E,G,J,L,N,Q,S,U	10	3.075	2.964	19	20	2-87283-0
	B,D,F,J,L,N,Q,S	8	2.919	2.808	18	19	1-87283-9
	A,D,F,J,M,P,S,	7	2.763	2.652	17	18	1-87283-8
	A,D,G,K,N,R	6	2.607	2.496	16	17	1-87283-7
	A,C,E,G,J,L,N,Q	8	2.451	2.340	15	16	1-87283-6
4 OBSOLETE	A,D,G,K,N	5	2.295	2.184	14	15	1-87283-5
	A,C,E,G,J,L,N	7	2.139	2.028	13	14	1-87283-4
	A,D,J,M	4	1.983	1.872	12	13	1-87283-3
	A,C,E,G,J,L	6	1.827	1.716	11	12	1-87283-2
	A,D,G,K	4	1.671	1.560	10	11	1-87283-1
	A,C,E,G,J	5	1.515	1.404	9	10	1-87283-0
	A,D,G	3	1.359	1.248	8	9	87283-9
	A,C,E,G	4	1.203	1.092	7	8	87283-8
	A,C,E	3	1.047	.936	6	7	87283-7
	A,C,E	3	.891	.780	5	6	87283-6
4 OBSOLETE	A,D	2	.735	.624	4	5	87283-5
	A,C	2	.579	.468	3	4	87283-4
4 OBSOLETE	A	1	.423	.312	2	3	87283-3
	A	1	.267	.156	1	2	87283-2
4 OBSOLETE	-	0	.111	-	1	1	87283-1

THIS DRAWING IS A CONTROLLED DOCUMENT.		DIN L A MAYER 7-28-87		Tyco Electronics Corporation	
DIMENSIONS: INCHES		CHK F HUBBEN 7-28-87		Harrisburg, Pa 17105-3608	
TOLERANCES UNLESS OTHERWISE SPECIFIED:		APVD F HUBBEN 7-28-87		NAME	
0 PLC ± -		PRODUCT SPEC		108-25016	
1 PLC ± -		APPLICATION SPEC		SIZE	
2 PLC ± -		WEIGHT		A1 00779 C=87283	
3 PLC ± .005		CUSTOMER DRAWING		SCALE 4:1 SHEET 1 OF 1 REV 1	
4 PLC ± -		RESTRICTED TO			
ANGLES ± -					
MATERIAL: HOUSING-FLAME RETARDANT THERMOPLASTIC, COLOR-BLACK		FINISH: .00030 GOLD IN CONTACT AREA GOLD FLASH ON REMAINDER OF POST ALL OVER .00050 NICKEL			