



Chipsmall Limited consists of a professional team with an average of over 10 year of expertise in the distribution of electronic components. Based in Hongkong, we have already established firm and mutual-benefit business relationships with customers from,Europe,America and south Asia,supplying obsolete and hard-to-find components to meet their specific needs.

With the principle of “Quality Parts,Customers Priority,Honest Operation,and Considerate Service”,our business mainly focus on the distribution of electronic components. Line cards we deal with include Microchip,ALPS,ROHM,Xilinx,Pulse,ON,Everlight and Freescale. Main products comprise IC,Modules,Potentiometer,IC Socket,Relay,Connector.Our parts cover such applications as commercial,industrial, and automotives areas.

We are looking forward to setting up business relationship with you and hope to provide you with the best service and solution. Let us make a better world for our industry!



Contact us

Tel: +86-755-8981 8866 Fax: +86-755-8427 6832

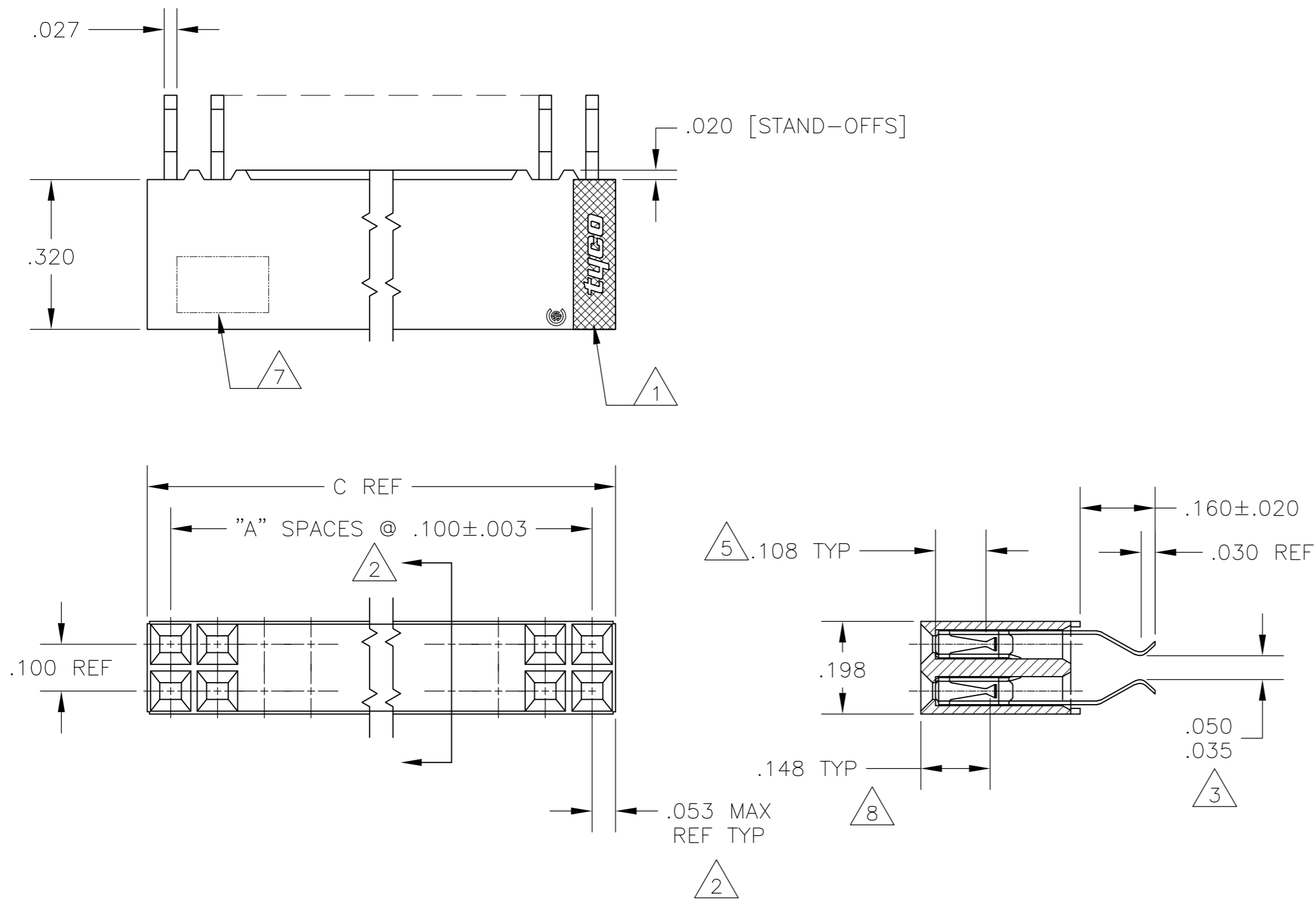
Email & Skype: info@chipsmall.com Web: www.chipsmall.com

Address: A1208, Overseas Decoration Building, #122 Zhenhua RD., Futian, Shenzhen, China



THIS DRAWING IS UNPUBLISHED. RELEASED FOR PUBLICATION
 © COPYRIGHT BY TYCO ELECTRONICS CORPORATION. ALL RIGHTS RESERVED.

LOC	DIST	REVISIONS					
AD	00	P	LTR	DESCRIPTION	DATE	DWN	APVD
		U		EC 0G3C 0025 05	16MAR05	MB	JO
		U1		REVISED PER ECO-09-020774	24AUG09	KK	AEG



- 1 TYCO TRADEMARK AND CSA LOGO ARE MOLDED INTO HOUSING.
- 2 THESE DIMENSIONS PERTAIN TO CAVITY ϕ 'S ONLY - NOT TO CONTACT LOCATIONS
- 3 THESE DIMENSIONS ARE DESIGNED FOR .0625 ± .0075 THICK PC BOARD
- 4 DUPLEX PLATED, .00030 GOLD ON CONTACT AREA, .000150-.000300 BRIGHT TIN-LEAD OR TIN ON SOLDER LEADS, ALL OVER .000050 NICKEL.
- 5 POINT OF MEASUREMENT FOR PLATING THICKNESS (MEASURED INSIDE CONTACT BEAMS)
- 6 NO PART NUMBER MARKING REQUIRED FOR THIS PART
- 7 PART NUMBER AND DATE CODE MARKED IN APPROXIMATE LOCATION SHOWN.
- 8 POINT OF CONTACT MEASUREMENT.
- 9 HOUSING; GLASS FILLED, FLAME RETARDANT POLYESTER
COLOR-BLACK
CONTACTS: PHOSPHOR BRONZE.
- 10 DUPLEX PLATED: .000030 GOLD ON CONTACT AREA, .0001500-.000300 MATTE TIN ON SOLDER LEADS, ALL OVER .000050 MINIMUM NICKEL.
- 11 ROHS 2002/95/EC COMPLIANT
- 12 OBSOLETE PARTS: OBSOLETE CIS STREAMLINING PER D.RENAUD/D.SINISI

REV	DESCRIPTION	DATE	DWN	APVD
1	7-87331-9			
2	7-87331-8			
3	7-87331-7			
4	7-87331-6			
5	7-87331-5			
6	7-87331-4			
7	7-87331-3			
8	7-87331-2			
9	7-87331-1			
10	7-87331-0			
11	6-87331-9			
12	6-87331-8			
13	6-87331-7			
14	6-87331-6			
15	6-87331-5			
16	6-87331-4			
17	6-87331-3			
18	6-87331-2			
19	6-87331-1			
20	6-87331-0			
21	5-87331-9			
22	5-87331-8			
23	5-87331-7			
24	5-87331-6			
25	5-87331-5			
26	5-87331-4			
27	5-87331-3			
28	5-87331-2			
29	5-87331-1			
30	5-87331-0			
31	2-87331-9			
32	2-87331-8			
33	2-87331-7			
34	2-87331-6			
35	2-87331-5			
36	2-87331-4			
37	2-87331-3			
38	2-87331-2			
39	2-87331-1			
40	2-87331-0			
41	1-87331-9			
42	1-87331-8			
43	1-87331-7			
44	1-87331-6			
45	1-87331-5			
46	1-87331-4			
47	1-87331-3			
48	1-87331-2			
49	1-87331-1			
50	1-87331-0			
51	87331-8			
52	87331-7			
53	87331-6			
54	87331-5			
55	87331-4			
56	87331-3			
57	87331-2			
58	87331-1			
59	87331-0			

THIS DRAWING IS A CONTROLLED DOCUMENT.

DWN J KNAUB 05-01-94
 CHK A GABANY 28-06-94
 APVD A GABANY 28-06-94

TOLERANCES UNLESS OTHERWISE SPECIFIED:
 0 PLC ± -
 1 PLC ± -
 2 PLC ± -
 3 PLC ± .005
 4 PLC ± -
 ANGLES ± -
 FINISH 4 10

MATERIAL 9

FINISH C B A

NO OF POSN

PART NUMBER

ASSEMBLY, MOD II, DOUBLE ROW, .100x.100 VERTICAL BOARD MOUNT, CARD EDGE

SIZE A2 CAGE CODE 00779 DRAWING NO C=87331 RESTRICTED TO

SCALE 1:1 SHEET 1 OF 1 REV U1