



Chipsmall Limited consists of a professional team with an average of over 10 year of expertise in the distribution of electronic components. Based in Hongkong, we have already established firm and mutual-benefit business relationships with customers from,Europe,America and south Asia,supplying obsolete and hard-to-find components to meet their specific needs.

With the principle of “Quality Parts,Customers Priority,Honest Operation,and Considerate Service”,our business mainly focus on the distribution of electronic components. Line cards we deal with include Microchip,ALPS,ROHM,Xilinx,Pulse,ON,Everlight and Freescale. Main products comprise IC,Modules,Potentiometer,IC Socket,Relay,Connector.Our parts cover such applications as commercial,industrial, and automotives areas.

We are looking forward to setting up business relationship with you and hope to provide you with the best service and solution. Let us make a better world for our industry!



Contact us

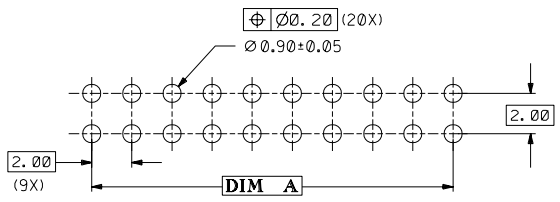
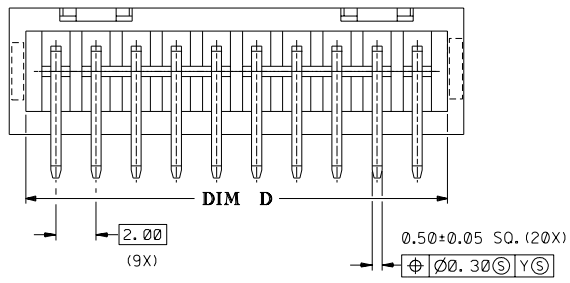
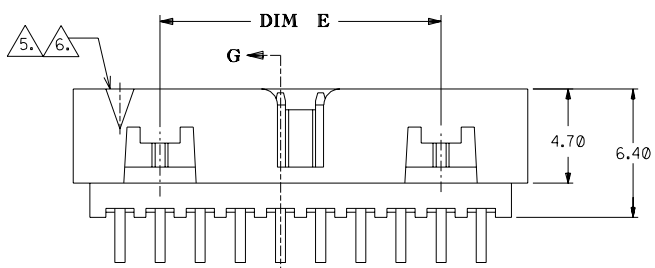
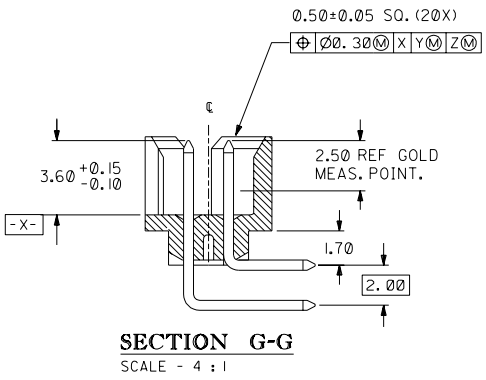
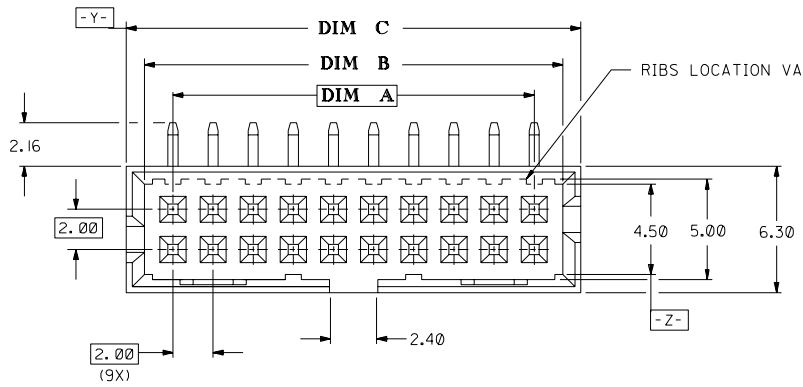
Tel: +86-755-8981 8866 Fax: +86-755-8427 6832

Email & Skype: info@chipsmall.com Web: www.chipsmall.com

Address: A1208, Overseas Decoration Building, #122 Zhenhua RD., Futian, Shenzhen, China



DWG. NO. SD | 87333-***20
CAD FILE S8733320.DGN
DO NOT SCALE DRAWING



RECOMMENDED PCB PATTERN

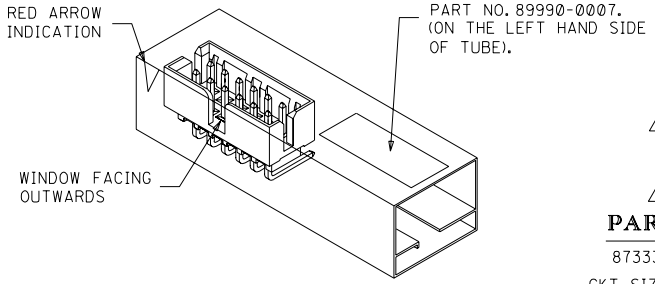


FIG.1 : ORIENTATION OF PART IN TUBE.
(FOR THE REFERENCE OF PART/TUBE ASSEMBLY.)

PLS REFER TO PART 87333-***3 FOR CENTER LOCKING SLOT OPTION.

PART NO.	CKT SIZE	DIM A	DIM B	DIM C	DIM D	DIM E
87333-042*	4	2.00	4.85	6.65	5.00	—
87333-062*	6	4.00	6.85	8.65	7.00	—
87333-082*	8	6.00	8.85	10.65	9.00	—
87333-102*	10	8.00	10.85	12.65	11.00	—
87333-122*	12	10.00	12.85	14.65	13.00	—
87333-142*	14	12.00	14.85	16.65	15.00	8.00
87333-162*	16	14.00	16.85	18.65	17.00	10.00
87333-182*	18	16.00	18.85	20.65	19.00	12.00
87333-202*	20	18.00	20.85	22.65	21.00	14.00
87333-222*	22	20.00	22.85	24.65	23.00	16.00
87333-242*	24	22.00	24.85	26.65	25.00	18.00
87333-262*	26	24.00	26.85	28.65	27.00	20.00
87333-282*	28	26.00	28.85	30.65	29.00	22.00
87333-302*	30	28.00	30.85	32.65	31.00	24.00
87333-322*	32	30.00	32.85	34.65	33.00	26.00
87333-342*	34	32.00	34.85	36.65	35.00	28.00
87333-362*	36	34.00	36.85	38.65	37.00	30.00
87333-382*	38	36.00	38.85	40.65	39.00	32.00
87333-402*	40	38.00	40.85	42.65	41.00	34.00
87333-422*	42	40.00	42.85	44.65	43.00	36.00
87333-442*	44	42.00	44.85	46.65	45.00	38.00
87333-462*	46	44.00	46.85	48.65	47.00	40.00
87333-482*	48	46.00	48.85	50.65	49.00	42.00
87333-502*	50	48.00	50.85	52.65	51.00	44.00

NOTES:

- FOR ILLUSTRATION PURPOSES, 20 CIRCUIT SIZE WAFER IS SHOWN
 - NO CENTRE POLARIZATION SLOT FOR CKT SIZE 4 AND 6.
 - PRODUCT SPECIFICATION PS-87331 APPLIES.
 - NO SIDE LOCKING SLOT FROM 4 TO 12 CKT SIZE.
5. CKT# IDENTIFICATION APPLIES ONLY TO CKT. SIZE 8 THROUGH 50 ONLY. CKT# IDENTIFICATION MAY OR MAY NOT BE PRESENT ON CKT. SIZE 4 & 6.
6. CKT 4 & 6 HAS NO IDENTIFICATION TAG

PART NUMBER LEGEND :

87333 - ***
CKT SIZE PLATING OPTION

20 - 0.38um/15uin GOLD IN CONTACT AREA AND 1.90um/75uin MIN. TIN/LEAD IN SOLDER TAIL AREA OVER 1.27um/50uin MIN. NICKEL OVERALL.

21 - 0.76um/30uin GOLD IN CONTACT AREA AND 1.90um/75uin MIN. TIN/LEAD IN SOLDER TAIL AREA OVER 1.27um/50uin MIN. NICKEL OVERALL.

B4	ADD NOTE 6 & SYMBOL (ECN# 2000 -0078)	-	SEE	990810	MATERIAL : HOUSING : 30% G.F. NYLON 46 UL94V-0 COLOR - BLACK
B3	ADD FIG L	S60450	SEE	GMS 960326	PIN : 0.50MM SQ. PHOSPHOR BRONZE
B2	ADD NOTE 5 AT LOC (DB)	S60296	SEE	GMS 951201	FINISH : SEE ABOVE
B1	REVISE PER ECN*	S50078	JACK	S.O. 940818	GENERAL TOLERANCES ± 0.20/.008
B	REVISE PER ECN*	S40584	SEE	TOH 940803	REV B4
A	REVISE PER ECN*	S30634	ANG	TOH 930507	DWG. NO. : SD 87333-***20
I	PRE-REL PER ECN*	S30099	ANG	TOH 920612	TITLE : 'MILLI-GRID' R/A SHROUDED HEADER W/SLOT, STANDOFF
LTR	REVISION RECORD	ECN	DR	CHK	DATE
REVISE ONLY ON CAD SYSTEM					DRAWN BY ANG GW 920612
					CHK'D BY TOH SK 920914
					APPR'D BY R WONG 920914
					SCALE 4 : 1

MOLEX SINGAPORE PTE LTD
SHEET 1 OF 1