



Chipsmall Limited consists of a professional team with an average of over 10 year of expertise in the distribution of electronic components. Based in Hongkong, we have already established firm and mutual-benefit business relationships with customers from,Europe,America and south Asia,supplying obsolete and hard-to-find components to meet their specific needs.

With the principle of “Quality Parts,Customers Priority,Honest Operation,and Considerate Service”,our business mainly focus on the distribution of electronic components. Line cards we deal with include Microchip,ALPS,ROHM,Xilinx,Pulse,ON,Everlight and Freescale. Main products comprise IC,Modules,Potentiometer,IC Socket,Relay,Connector.Our parts cover such applications as commercial,industrial, and automotives areas.

We are looking forward to setting up business relationship with you and hope to provide you with the best service and solution. Let us make a better world for our industry!



## Contact us

Tel: +86-755-8981 8866 Fax: +86-755-8427 6832

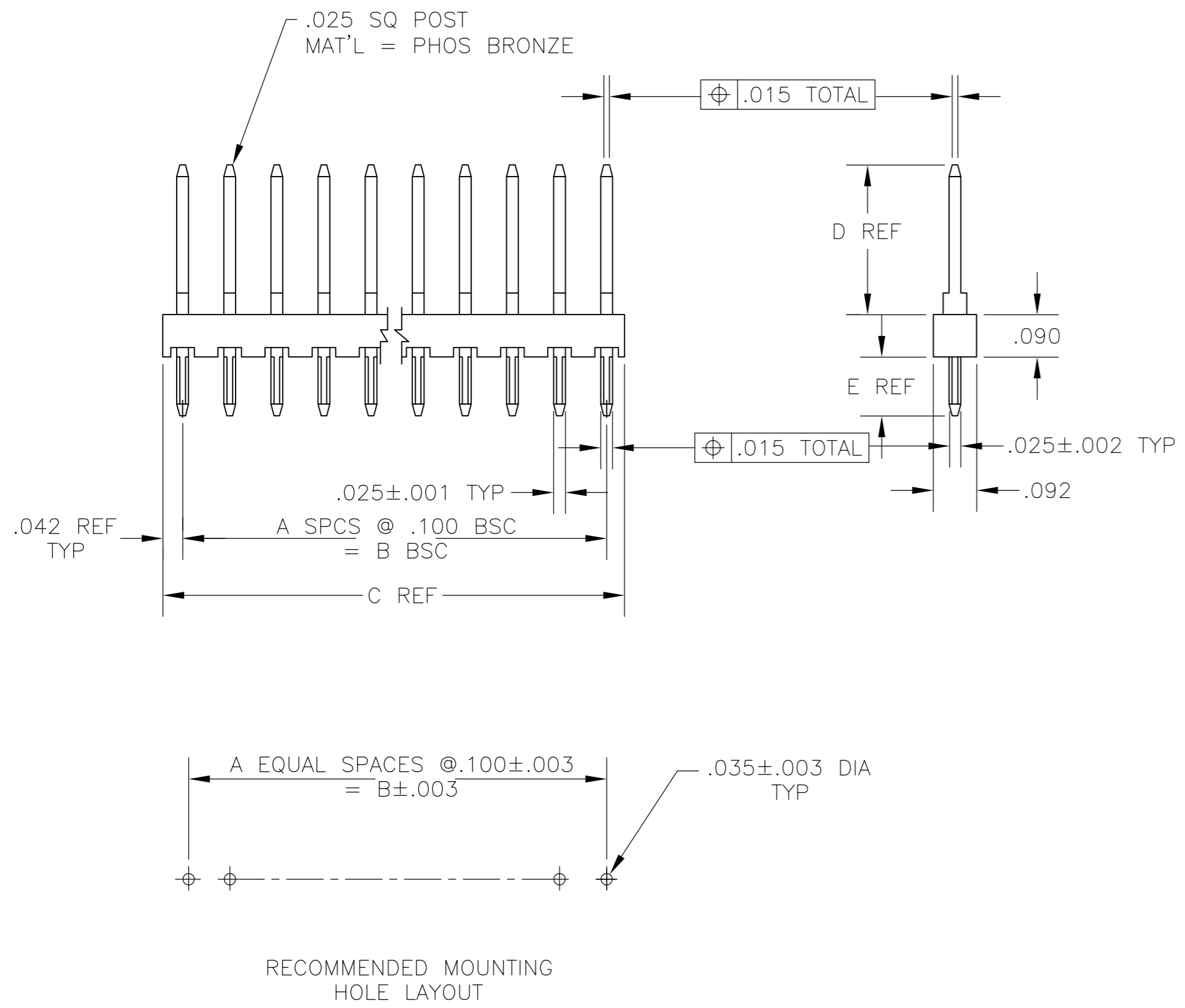
Email & Skype: info@chipsmall.com Web: www.chipsmall.com

Address: A1208, Overseas Decoration Building, #122 Zhenhua RD., Futian, Shenzhen, China



THIS DRAWING IS UNPUBLISHED. RELEASED FOR PUBLICATION  
 © COPYRIGHT - By - ALL RIGHTS RESERVED.

LOC		DIST		REVISIONS					
AD		38		P	LTR	DESCRIPTION	DATE	DWN	APVD
				K1		REVISED PER ECO-11-004917	11MAR11	RK	HMR



			.125	.318	.184	.100	1	2	4- 87348	-3
OBSOLETE	△3				4.840	4.000	40	40	4-	-2
OBSOLETE	△2				4.840	4.000	40	40	4-	-1
					3.984	3.900	39	40	4-	-0
OBSOLETE					3.884	3.800	38	39	3-	-9
OBSOLETE					3.784	3.700	37	38	3-	-8
OBSOLETE					3.684	3.600	36	37	3-	-7
OBSOLETE					3.584	3.500	35	36	3-	-6
SUPERCEDED BY 3-103321-5	△5				3.484	3.400	34	35	3-	-5
OBSOLETE					3.384	3.300	33	34	3-	-4
OBSOLETE					3.284	3.200	32	33	3-	-3
OBSOLETE					3.184	3.100	31	32	3-	-2
SUPERCEDED BY 3-103321-1					3.840	3.000	30	31	3-	-1
SUPERCEDED BY 3-103321-0					2.984	2.900	29	30	3-	-0
SUPERCEDED BY 2-103321-9					2.884	2.800	28	29	2-	-9
OBSOLETE					2.784	2.700	27	28	2-	-8
OBSOLETE					2.684	2.600	26	27	2-	-7
SUPERCEDED BY 2-103321-6					2.584	2.500	25	26	2-	-6
SUPERCEDED BY 2-103321-5					2.484	2.400	24	25	2-	-5
SUPERCEDED BY 2-103321-4					2.384	2.300	23	24	2-	-4
OBSOLETE					2.284	2.200	22	23	2-	-3
SUPERCEDED BY 2-103321-2					2.100	2.100	21	22	2-	-2
OBSOLETE					2.840	2.000	20	21	2-	-1
OBSOLETE	△5				1.984	1.900	19	20	2-	-0
OBSOLETE					1.884	1.800	18	19	1-	-9
SUPERCEDED BY 1-103321-8					1.784	1.700	17	18	1-	-8
SUPERCEDED BY 1-103321-7					1.684	1.600	16	17	1-	-7
SUPERCEDED BY 1-103321-6					1.584	1.500	15	16	1-	-6
SUPERCEDED BY 1-103321-5					1.484	1.400	14	15	1-	-5
					1.384	1.300	13	14	1-	-4
SUPERCEDED BY 1-103321-3					1.284	1.200	12	13	1-	-3
					1.184	1.100	11	12	1-	-2
SUPERCEDED BY 1-103321-1					1.840	1.000	10	11	1-	-1
					.984	.900	9	10	1-	-0
SUPERCEDED BY 103321-9					.884	.800	8	9		-9
					.784	.700	7	8		-8
SUPERCEDED BY 103321-7					.684	.600	6	7		-7
					.584	.500	5	6		-6
					.484	.400	4	5		-5
					.384	.300	3	4		-4
					.284	.200	2	3		-3
					.184	.100	1	2		-2
	△2		.125	.318	.084	0	0	1		87348-1
FINISH			E	D	C	B	A	NO OF POS	ASSEMBLY PART NUMBER	

- TRUE POSITION TOLERANCE OF POST TIPS APPLIES WHEN HEADERS ARE HELD FLAT AGAINST PRINTED CIRCUIT BOARD.
- △2 .000100-.000200 BRIGHT TIN-LEAD OVER .000050 NICKEL.
- △3 .000100-.000200 BRIGHT TIN OVER .000050 NICKEL.
- △4 .000100-.000200 MATTE TIN OVER .000050 NICKEL.
- △5 OBSOLETE PARTS: OBSOLETE CIS STREAMLINING PER D.RENAUD/D.SINISI

SEE SHEET 2 FOR ADDITIONAL LEAD FREE PART NUMBERS


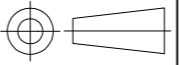
THIS DRAWING IS A CONTROLLED DOCUMENT.

DIMENSIONS: INCHES	TOLERANCES UNLESS OTHERWISE SPECIFIED: 0 PLC ± - 1 PLC ± - 2 PLC ± - 3 PLC ± .005 4 PLC ± - ANGLES ± -	DWN K HELM 6-89 CHK R. FEIDT 6-89 APVD R. FEIDT 6-89	TE Connectivity
MATERIAL -	FINISH SEE TABLE	PRODUCT SPEC - APPLICATION SPEC - WEIGHT -	NAME ASSEMBLY, MOD II, HEADER, SINGLE ROW, .100 C/L, VERTICAL, .025 SQ POSTS
		CUSTOMER DRAWING	SIZE A2 CAGE CODE 00779 DRAWING NO C=87348 RESTRICTED TO -
			SCALE 4:1 SHEET 1 OF 2 REV K1

THIS DRAWING IS UNPUBLISHED. RELEASED FOR PUBLICATION  
 © COPYRIGHT - By - ALL RIGHTS RESERVED.

LOC	DIST	REVISIONS			
P	LTR	DESCRIPTION	DATE	DWN	APVD
		SEE SHEET 1			

	△4	.125	.318	3.984	3.900	39	40	9-87348-0	
△5 OBSOLETE				3.584	3.500	35	36	8-	6-
△5 OBSOLETE				1.984	1.900	19	20	7-	0-
				1.384	1.300	13	14	6-	-4
△5 OBSOLETE				1.184	1.100	11	12	6-	-2
				1.840	1.000	10	11	6-	-1
				.984	.900	9	10	6-	-0
				.784	.700	7	8	5-	-8
				.584	.500	5	6	5-	-6
				.484	.400	4	5	5-	-5
				.384	.300	3	4	5-	-4
				.284	.200	2	3	5-	-3
				.184	.100	1	2	5-	-2
	△4	.125	.318	.084	0	0	1	5-87348-1	
	FINISH	E	D	C	B	A	NO OF POS	ASSEMBLY PART NUMBER	

THIS DRAWING IS A CONTROLLED DOCUMENT.		DWN K HELM 6-89	 TE Connectivity					
DIMENSIONS: INCHES		CHK R. FEIDT 6-89						
		APVD R. FEIDT 6-89						
TOLERANCES UNLESS OTHERWISE SPECIFIED: 0 PLC ± - 1 PLC ± - 2 PLC ± - 3 PLC ± .005 4 PLC ± - ANGLES ± -		NAME ASSEMBLY, MOD II, HEADER, SINGLE ROW, .100 C/L, VERTICAL, .025 SQ POSTS						
MATERIAL -	FINISH SEE TABLE	PRODUCT SPEC -	APPLICATION SPEC -	WEIGHT -	SIZE A2	CAGE CODE 00779	DRAWING NO 87348	RESTRICTED TO -
CUSTOMER DRAWING			SCALE 4:1	SHEET 2 of 2	REV K1			

87348

A