



Chipsmall Limited consists of a professional team with an average of over 10 year of expertise in the distribution of electronic components. Based in Hongkong, we have already established firm and mutual-benefit business relationships with customers from,Europe,America and south Asia,supplying obsolete and hard-to-find components to meet their specific needs.

With the principle of “Quality Parts,Customers Priority,Honest Operation,and Considerate Service”,our business mainly focus on the distribution of electronic components. Line cards we deal with include Microchip,ALPS,ROHM,Xilinx,Pulse,ON,Everlight and Freescale. Main products comprise IC,Modules,Potentiometer,IC Socket,Relay,Connector.Our parts cover such applications as commercial,industrial, and automotives areas.

We are looking forward to setting up business relationship with you and hope to provide you with the best service and solution. Let us make a better world for our industry!



Contact us

Tel: +86-755-8981 8866 Fax: +86-755-8427 6832

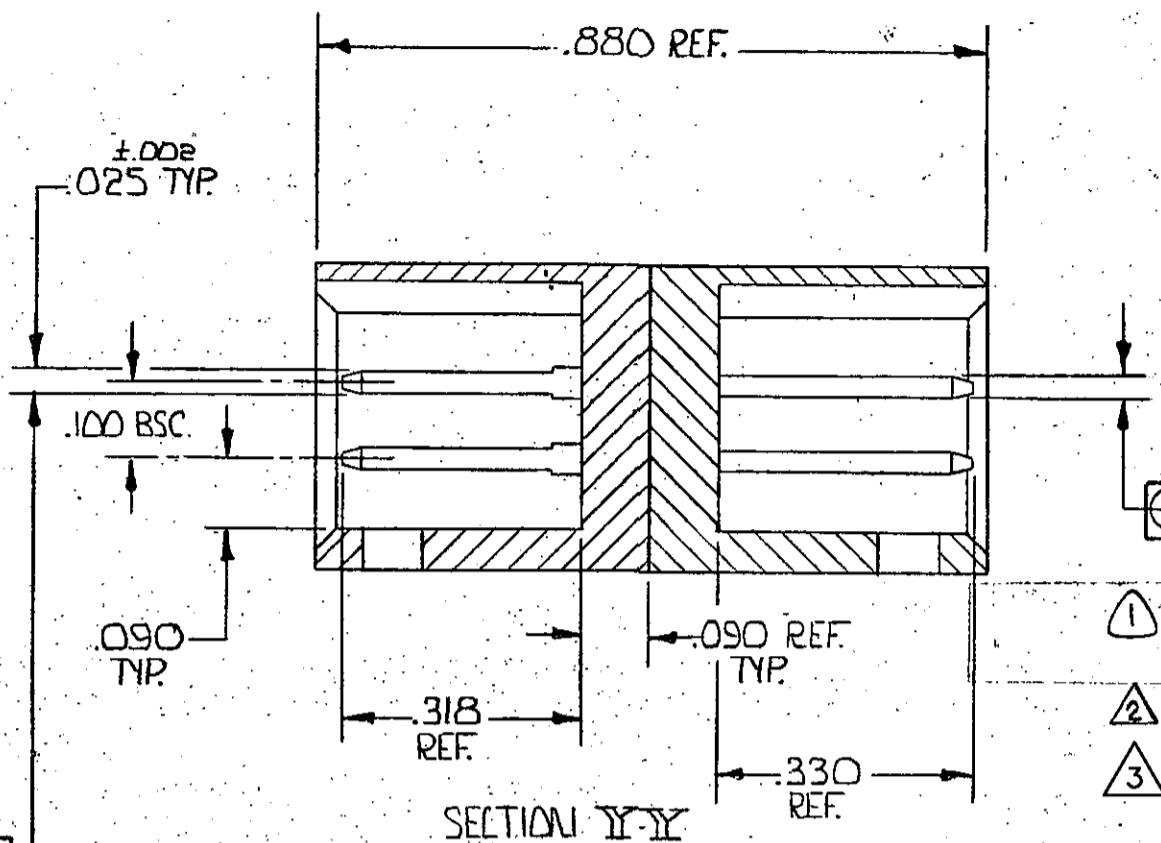
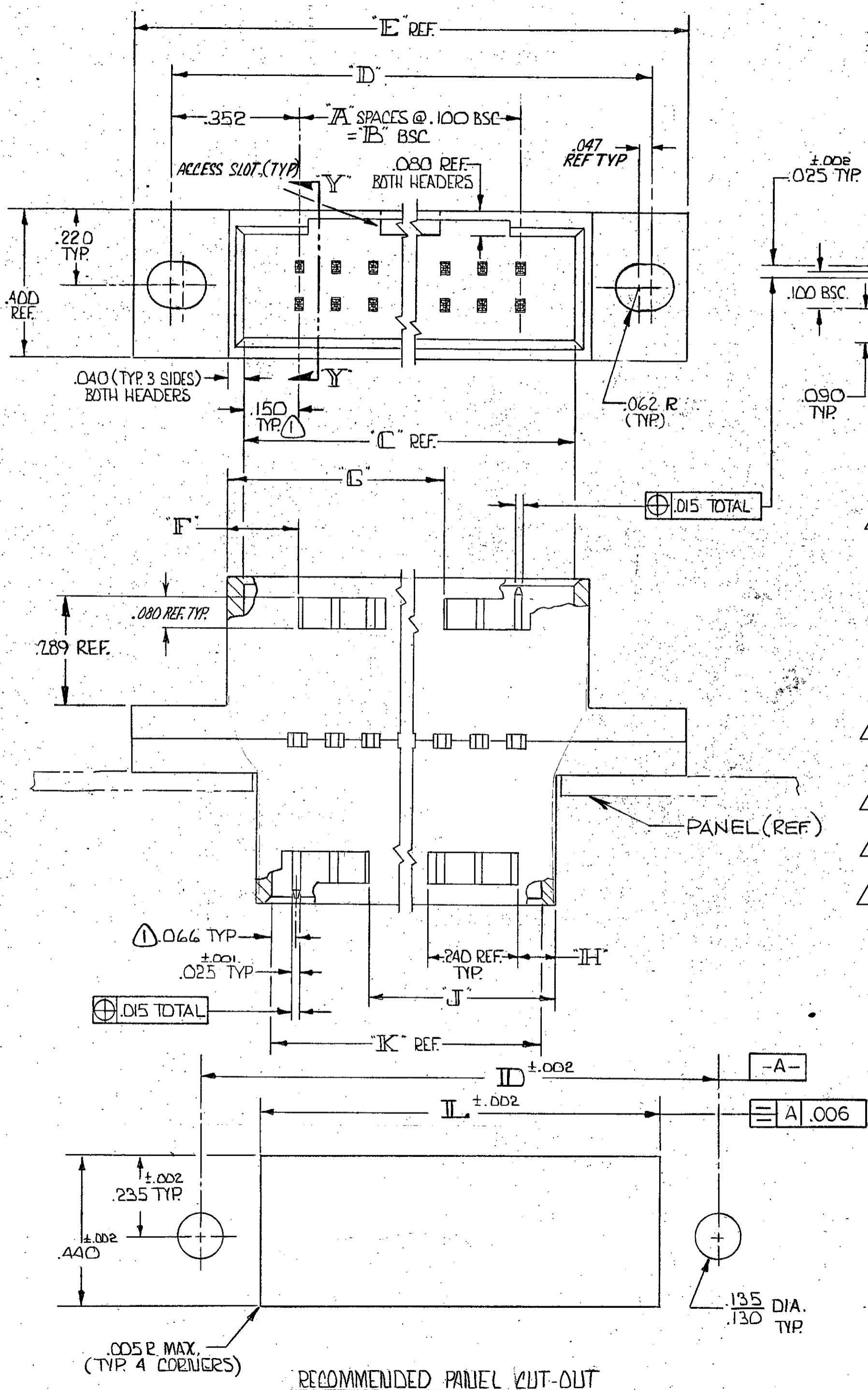
Email & Skype: info@chipsmall.com Web: www.chipsmall.com

Address: A1208, Overseas Decoration Building, #122 Zhenhua RD., Futian, Shenzhen, China



© COPYRIGHT

REVISIONS				DATE	APPROVED
P	F	ZONE	LTR		
		F2		31MAR11	HMR
DESCRIPTION					
REVISED PER ECO-11-005140					



- ① WILL ALSO MATE W/OTHER CONNECTORS WHICH ARE COMPATIBLE WITH THE .066 ±.150 END DIMS.
- ② OBSOLETE PART NUMBER
- ③ OBSOLETE PARTS: OBSOLETE CIS STREAMLINING PER D.RENAUD/D.SINISI

	L	K	J	H	G	F	E	D	C	B	A	NO. OF POS.	PART NO
③ OBSOLETE	3.132	3.032	2.806	.106	2.890	.190	3.804	3.604	3.200	2.900	29	60	2-87496-6
	3.032	2.932	2.706		2.790		3.704	3.504	3.100	2.800	28	58	2-② -5
	2.932	2.832	2.606		2.690		3.604	3.404	3.000	2.700	27	56	2-② -4
	2.832	2.732	2.506		2.590		3.504	3.304	2.900	2.600	26	54	2-② -3
	2.732	2.632	2.406		2.490		3.404	3.204	2.800	2.500	25	52	2-② -2
	2.532	2.432	2.206		2.290		3.204	3.004	2.600	2.300	23	48	2-② -1
	2.432	2.332	2.106		2.190		3.104	2.904	2.500	2.200	22	46	2-② -0
	2.332	2.232	2.006		2.090		3.004	2.804	2.400	2.100	21	44	1-② -9
	2.232	2.132	1.906		1.990		2.904	2.704	2.300	2.000	20	42	1-② -8
③ OBSOLETE	2.132	2.032	1.806		1.890		2.804	2.604	2.200	1.900	19	40	① -7
	2.032	1.932	1.706		1.790		2.704	2.504	2.100	1.800	18	38	1-② -6
	1.932	1.832	1.606		1.690		2.604	2.404	2.000	1.700	17	36	1-② -5
③ OBSOLETE	1.832	1.732	1.506		1.590		2.504	2.304	1.900	1.600	16	34	① -4
	1.732	1.632	1.406		1.490		2.404	2.204	1.800	1.500	15	32	1-② -3
③ OBSOLETE	1.632	1.532	1.306		1.390		2.304	2.104	1.700	1.400	14	30	① -2
	1.532	1.432	1.206		1.290		2.204	2.004	1.600	1.300	13	28	1-② -1
③ OBSOLETE	1.432	1.332	1.106		1.190		2.104	1.904	1.500	1.200	12	26	① -0
	1.332	1.232	1.006		1.090		2.004	1.804	1.400	1.100	11	24	① -9
	1.232	1.132	.906		.990		1.904	1.704	1.300	1.000	10	22	② -8
	1.132	1.032	.806	.106	.890	.190	1.804	1.604	1.200	.900	9	20	② -7
	1.032	.932	—	.406	—	.490	1.704	1.504	1.100	.800	8	18	② -6
	.932	.832	—	.306	—	.390	1.604	1.404	1.000	.700	7	16	② -5
	.832	.732	—	.306	—	.390	1.504	1.304	.900	.600	6	14	② -4
	.732	.632	—	.206	—	.290	1.404	1.204	.800	.500	5	12	② -3
	.632	.532	—	.206	—	.290	1.304	1.104	.700	.400	4	10	② -2
	2.732	2.532	2.306	.106	2.390	.190	3.304	3.104	2.700	2.400	24	50	87496-1

UNLESS OTHERWISE SPECIFIED DIMENSIONS ARE IN INCHES. TOLERANCES ON: DECIMALS ±.005 ANGLES ±	CONTRACT NO	TE Connectivity NAME HEADER ASSY. MOD II 100x100 CENTERS WITH PIN. PROTECTION BOTH SIDES & MTG. EARS (MATES W/AMP LATCH OR FCC ONE SIDE) ① (MOD. IV OTHER SIDE) SIZE CODE IDENT NO DRAWING NO C 00779 87496 SCALE SHEET 10-1
	DR <i>D. Meyer</i> 8/21/75 CHK <i>D. Meyer</i> 8-22-75 APPD <i>B. Bennett</i> 8/25/75 APPD <i>R. Clark</i> 8/25/75 DSGN APPD OTHER APPD	
MATERIAL NSG. - GLASS FILLED NYLON COLOR: BLACK POST - PHOS. BRONZE	FINISH POST - .00030 GOLD OVER .00050 NICKEL	