



Chipsmall Limited consists of a professional team with an average of over 10 year of expertise in the distribution of electronic components. Based in Hongkong, we have already established firm and mutual-benefit business relationships with customers from,Europe,America and south Asia,supplying obsolete and hard-to-find components to meet their specific needs.

With the principle of “Quality Parts,Customers Priority,Honest Operation,and Considerate Service”,our business mainly focus on the distribution of electronic components. Line cards we deal with include Microchip,ALPS,ROHM,Xilinx,Pulse,ON,Everlight and Freescale. Main products comprise IC,Modules,Potentiometer,IC Socket,Relay,Connector.Our parts cover such applications as commercial,industrial, and automotives areas.

We are looking forward to setting up business relationship with you and hope to provide you with the best service and solution. Let us make a better world for our industry!



Contact us

Tel: +86-755-8981 8866 Fax: +86-755-8427 6832

Email & Skype: info@chipsmall.com Web: www.chipsmall.com

Address: A1208, Overseas Decoration Building, #122 Zhenhua RD., Futian, Shenzhen, China



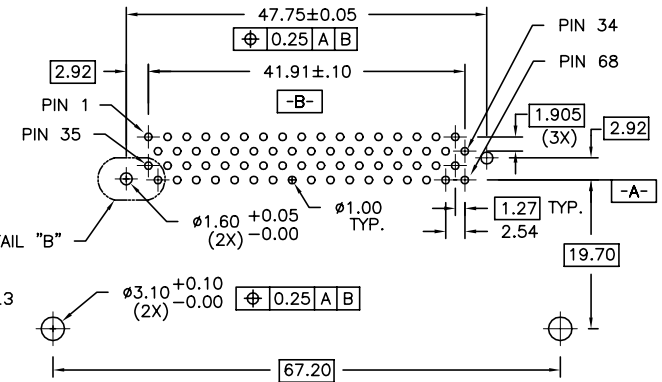
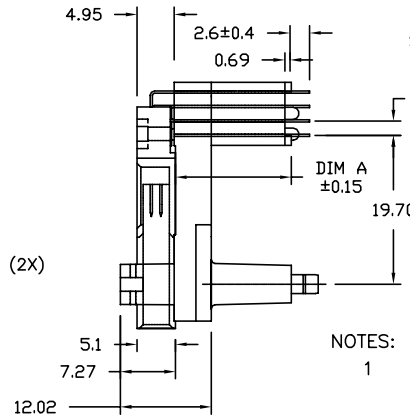
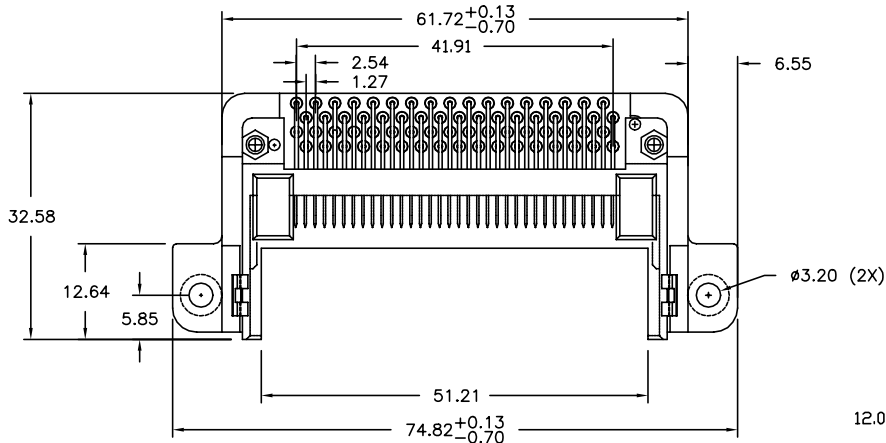
PRODUCT NO.	DIM "A"	DIM "B"	Comments
87536-001LF	8.90	10.8	
87536-011LF	8.90	10.8	SEE NOTE 2
87536-002/002LF	12.70	14.6	
87536-003/003LF	SEE SHEET 2	SEE SHEET 2	
87536-004LF	15.50	17.4	
87536-014LF	15.50	17.4	SEE NOTE 2
87536-005/005LF	SEE SHEET 3	SEE SHEET 3	

A

B

C

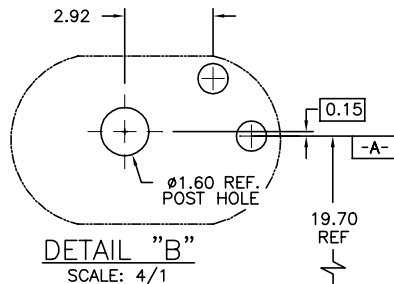
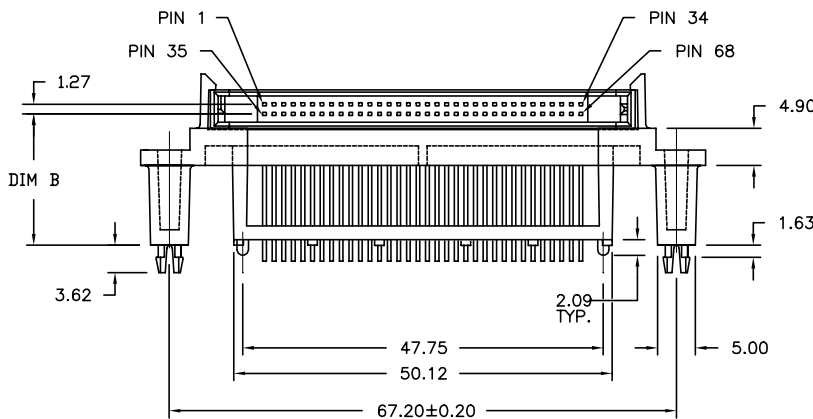
D



P.C.B. LAYOUT

NOTES:

- MATERIAL:
CONTACT - COPPER ALLOY
HOUSING: HIGH TEMPERATURE THERMOPLASTIC UL94V-0 BLACK
- PLATING:
CONTACT - ALL OVER 1.27um NICKEL UNDER PLATING
0.076um GOLD MIN ON CONTACT
2.5um TIN/LEAD PLATING ON TIN LEAD SOLDER TAIL
2.5um PURE TIN PLATING ON LEAD FREE SOLDER TAIL
- MATING CONNECTOR TO MATE WITH 68 POS. RECEPTACLE BASED ON JEIDA/PCMCIA SPECIFICATION
- IF LEAD FREE P/N. THE HOUSING WILL WITHSTAND EXPOSURE TO 260°C PEAK TEMPERATURE FOR 10 SECONDS IN A WAVE SOLDER APPLICATION WITH A 1.00MM MINIMUM THICK CIRCUIT BOARD.
- IF LEAD FREE P/N. PACKAGING MEETS GS-14-920 SPECIFICATION
- LEAD FREE PRODUCT MEETS EUROPEAN UNION DIRECTIVES AND OTHER COUNTRY REGULATIONS AS DISCRIBED IN GS-22-008
- PRODUCT SPECIFICATION APR-12-031, PACKING SPECIFICATION BUS-14-357
- PRODUCT SPEC:110-263



DETAIL "B"
SCALE: 4/1

rev	ecn no	dr	date
W	LX-N-011425	ZK	04/23/12
R	N10-0052	SH	05/30/10
S	N10-0140	SH	06/29/10
T	N10-0331	David	09/20/10
U	N10-0339	SH	09/30/10
V	ELX-N-007948	ZK	11/01/11
W	ELX-N-011425	ZK	04/27/12

www.fciconnect.com		surface 6.4 Iso 1302	tolerance std Iso406 Iso 1101	projection	
		TOLERANCES UNLESS OTHERWISE SPECIFIED		size A4	Scale 1.000
Dr	R.GRAPE	3/6/96	ANGULAR	0.X ± 0.3	
Eng	CHONG YI	3/6/96	LINEAR	0.XX ± 0.15	
Chr	CHONG YI	3/6/96	0° ±2°	0.XXX ± 0.05	ECN N10-0140
Appr	CHONG YI	3/6/96	Product family	PCMCIA	Spec ref *
FCI		title		dwg no	
		HEADER ASSEMBLY W/STANDOFF		87536	
catalog no		*		CUSTOMER	
				sheet 1 of 3	

A

B

C

D

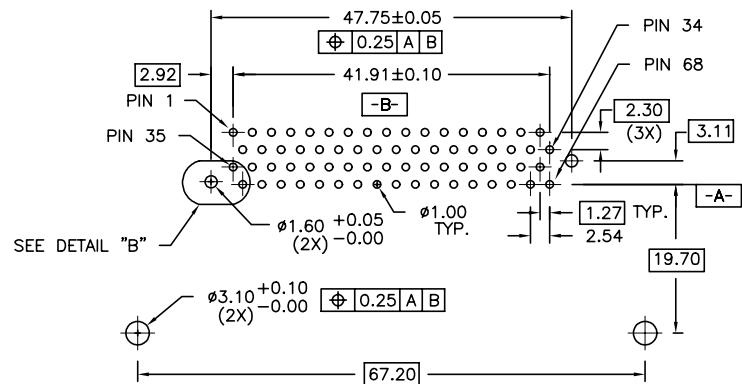
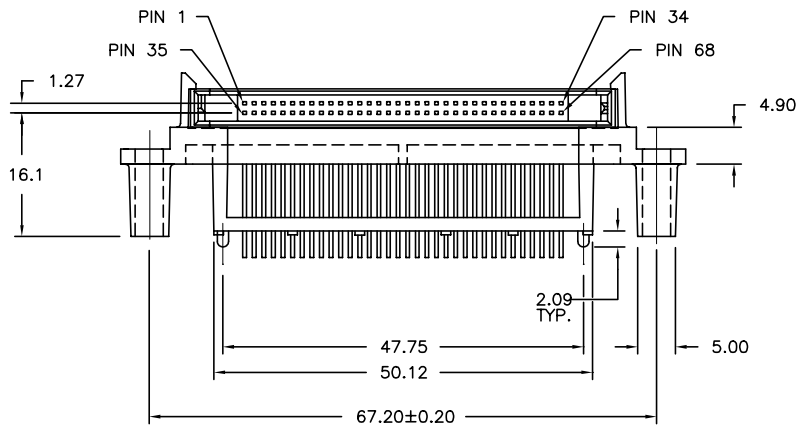
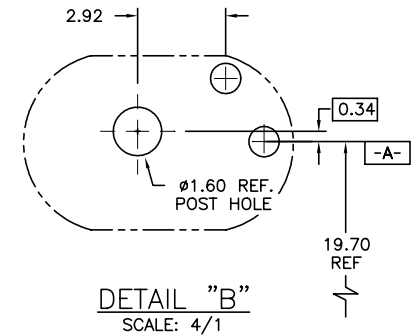
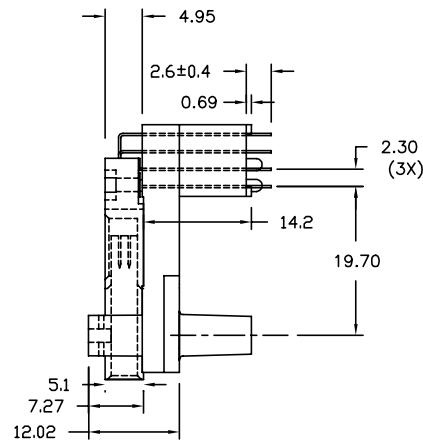
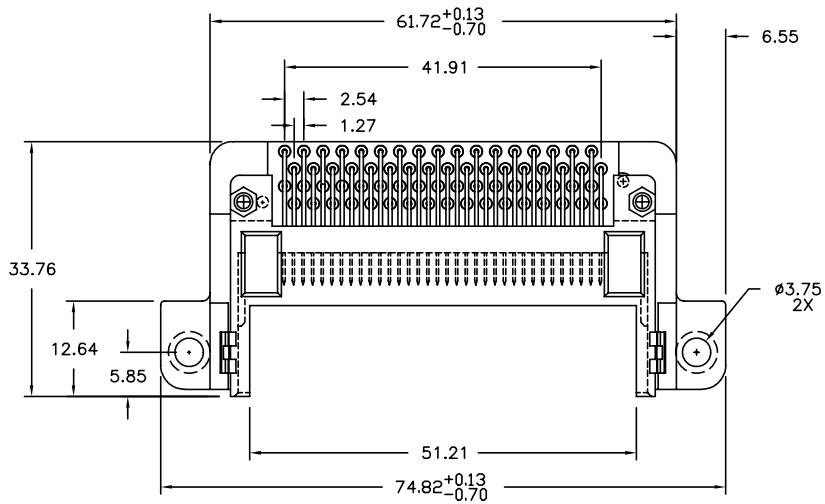


Copyright FCI



Copyright FCI.

PRODUCT NO.
87536-003/003LF



P.C.B. LAYOUT

www.fciconnect.com			surface 6.4 Iso 1302	tolerance std Iso406 Iso 1101	projection ⊕	
			TOLERANCES UNLESS OTHERWISE SPECIFIED		↔	
Dr	R.GRAPE	3/6/96	ANGULAR	0.X ± 0.3	size	Scale
Eng	CHONG YI	3/6/96	LINEAR	0.XX ± 0.15	A4	1.000
Chr	CHONG YI	3/6/96	0° ±2°	0.XXX ± 0.05	ECN	ELX-N-007948
Appr	CHONG YI	3/6/96	Product family	PCMCIA	Spec ref	*
FCI			title		Rev.	
			HEADER ASSEMBLY W/STANDOFF		W	
catalog no			*		CUSTOMER	sheet 2 of 3
			dwg no		87536	

REV F - 2006-04-17

1

2

3

4

PRODUCT NO.
87536-005/005LF

A

B

C

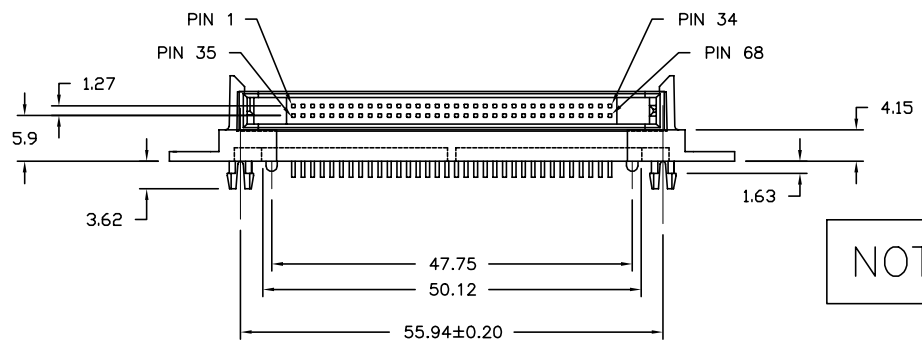
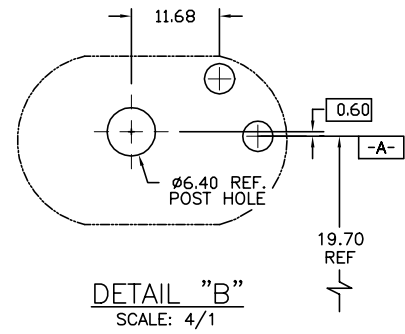
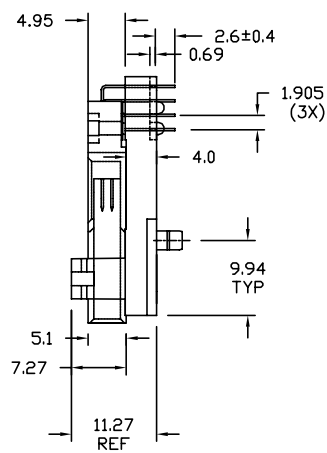
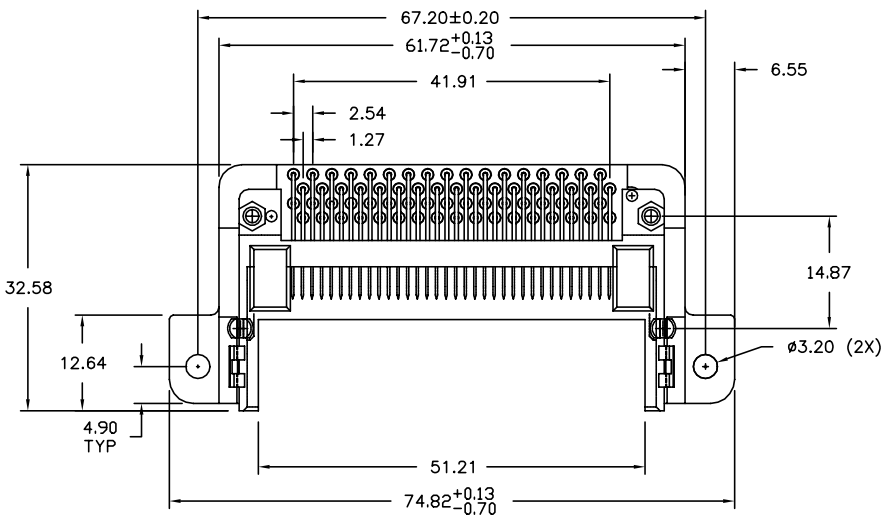
D

A

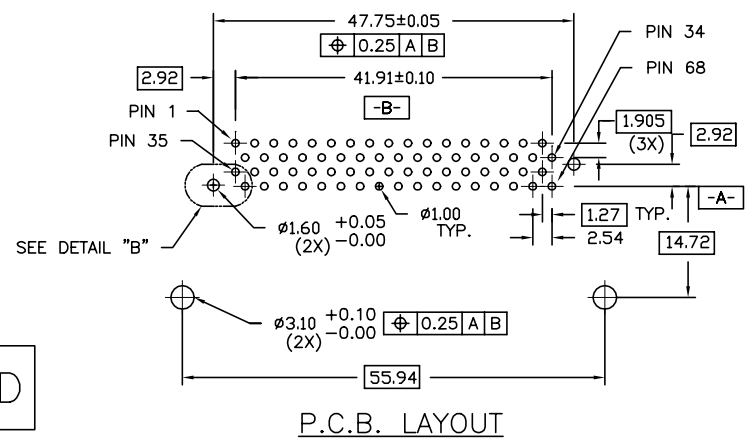
B

C

D



NOT TOOLED



Copyright FCI.

REV F - 2006-04-17

1

2

3

4

www.fciconnect.com				surface 6.4 Iso 1302	tolerance std Iso406 Iso 1101	projection ⊕	
				TOLERANCES UNLESS OTHERWISE SPECIFIED			
Dr	R.GRAPE	3/6/96	ANGULAR	0.X	± 0.3	size	A4
Eng	CHONG YI	3/6/96	LINEAR	0.XX	± 0.15	Scale	1.000
Chr	CHONG YI	3/6/96	0° ±2°	0.XXX	± 0.05	ECN	ELX-N-007948
Appr	CHONG YI	3/6/96	Product family	PCMCIA	Spec ref	*	
title			HEADER ASSEMBLY W/STANDOFF		dwg no		87536
catalog no			*		CUSTOMER		sheet 3 of 3
					Rev.		W

PDS: Rev :W

STATUS:Released

Printed: May 26, 2012