



Chipsmall Limited consists of a professional team with an average of over 10 year of expertise in the distribution of electronic components. Based in Hongkong, we have already established firm and mutual-benefit business relationships with customers from,Europe,America and south Asia,supplying obsolete and hard-to-find components to meet their specific needs.

With the principle of “Quality Parts,Customers Priority,Honest Operation,and Considerate Service”,our business mainly focus on the distribution of electronic components. Line cards we deal with include Microchip,ALPS,ROHM,Xilinx,Pulse,ON,Everlight and Freescale. Main products comprise IC,Modules,Potentiometer,IC Socket,Relay,Connector.Our parts cover such applications as commercial,industrial, and automotives areas.

We are looking forward to setting up business relationship with you and hope to provide you with the best service and solution. Let us make a better world for our industry!



Contact us

Tel: +86-755-8981 8866 Fax: +86-755-8427 6832

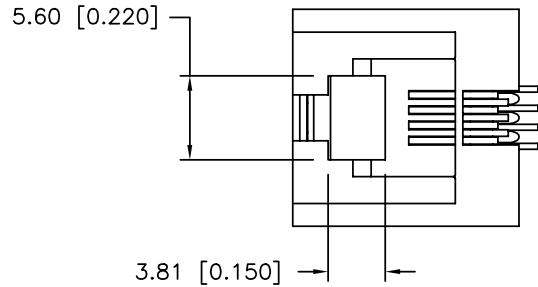
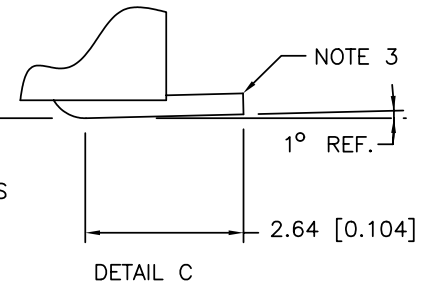
Email & Skype: info@chipsmall.com Web: www.chipsmall.com

Address: A1208, Overseas Decoration Building, #122 Zhenhua RD., Futian, Shenzhen, China

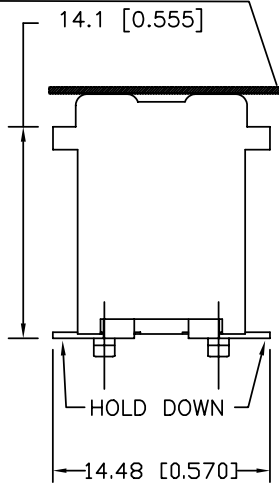


PRODUCT NO.

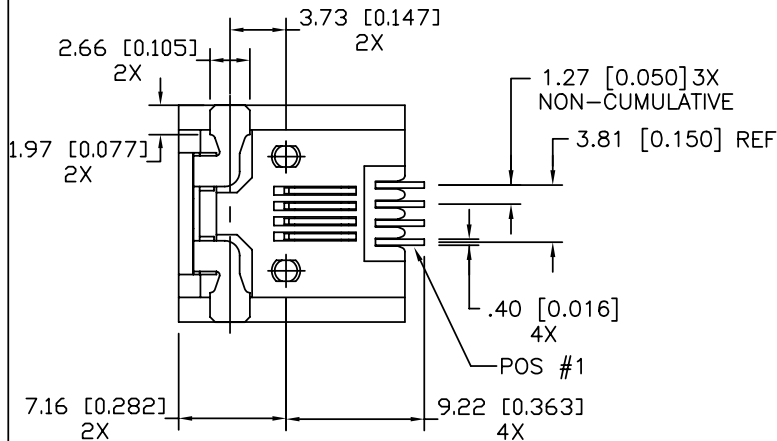
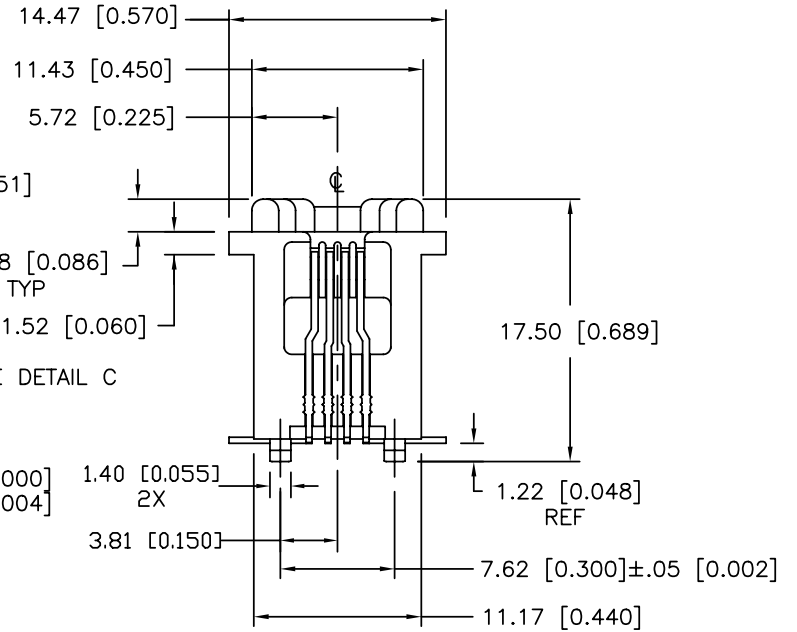
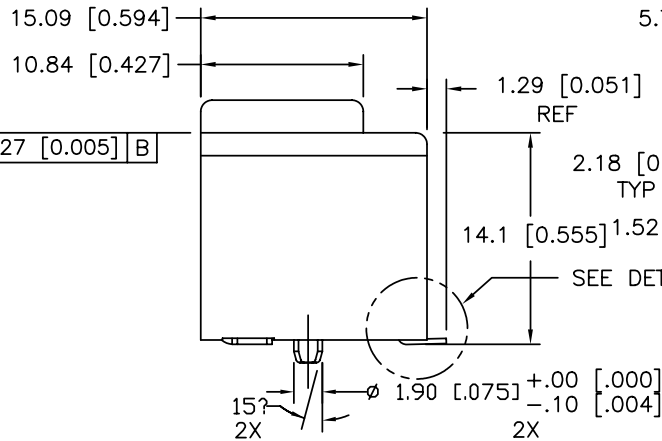
SEE TABLE



THE MYLAR ONLY FOR 87543-XXX1C/XXX1CLF SEE NOTE 7



Surface texture symbol: $0.127 [0.005] B$



VIEW A-A

| mat'l. code | | | | tolerances unless otherwise specified | | CUSTOMER COPY | | FCI www.fciconnect.com | |
|-------------|----------|-----|----------|---------------------------------------|----------------------|---------------|----------------|---------------------------|--------|
| ltr | ecn no | dr | date | linear | .X±.3/.XX±.01 | projection | title | | |
| S | N08-0194 | SH | 09/08/08 | | .XX±.13/.XXX±.005 | | A-SMT ASSEMBLY | | |
| K | V12666 | LP | 1/10/02 | | .XXX±.051/.XXX±.0020 | | VERT 4 POS | | |
| L | V21834 | LP | 12/2/02 | angles | 0° ±2' | MM/INCH | product family | MOD JACK | code |
| M | V04-0861 | DAI | 08/30/04 | dr | L.POTTEIGER 12/2/02 | scale | size | dwg no | 213 |
| N | N05-0035 | YS | 02/17/05 | enr | J.KONTOS 12/2/02 | 1:1 | A4 | 87543 | sheet |
| P | N05-0142 | ZC | 6/2/05 | chr | J.KONTOS 12/2/02 | | | | 1 of 2 |
| R | N07-0217 | WG | 09/07/07 | appd | J.KONTOS 12/2/02 | | | | |
| sheet index | revision | R | R | | | | | | |
| | sheet | 1 | 2 | | | | | | |

Tous droits strictement reserves. Reproduction ou communication a des tiers interdite sous quelque forme que ce soit sans autorisation ecrite du proprietaire. Propriete de c FCI. Droits de reproduction FCI.

All rights strictly reserved. Reproduction or issue to third parties in any form whatever is not permitted without written authority from the proprietor. Property of FCI. Copyright FCI.



