



Chipsmall Limited consists of a professional team with an average of over 10 year of expertise in the distribution of electronic components. Based in Hongkong, we have already established firm and mutual-benefit business relationships with customers from,Europe,America and south Asia,supplying obsolete and hard-to-find components to meet their specific needs.

With the principle of "Quality Parts,Customers Priority,Honest Operation,and Considerate Service",our business mainly focus on the distribution of electronic components. Line cards we deal with include Microchip,ALPS,ROHM,Xilinx,Pulse,ON,Everlight and Freescale. Main products comprise IC,Modules,Potentiometer,IC Socket,Relay,Connector.Our parts cover such applications as commercial,industrial, and automotives areas.

We are looking forward to setting up business relationship with you and hope to provide you with the best service and solution. Let us make a better world for our industry!



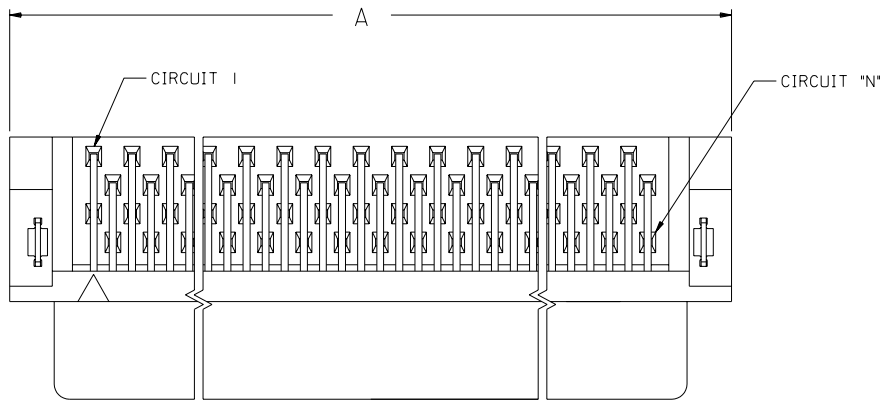
Contact us

Tel: +86-755-8981 8866 Fax: +86-755-8427 6832

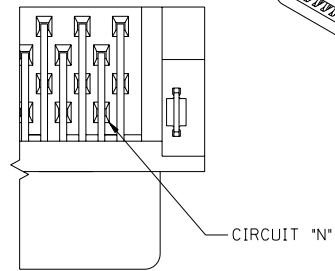
Email & Skype: info@chipsmall.com Web: www.chipsmall.com

Address: A1208, Overseas Decoration Building, #122 Zhenhua RD., Futian, Shenzhen, China

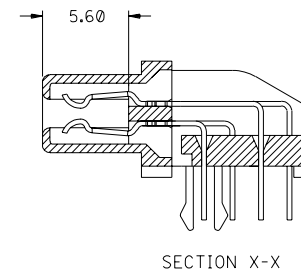
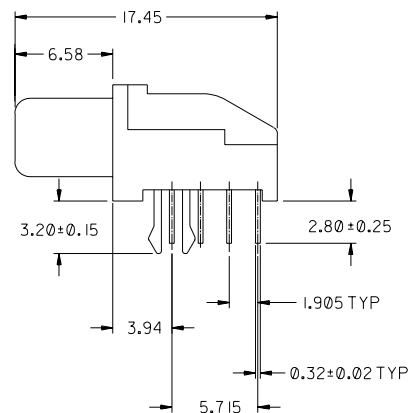
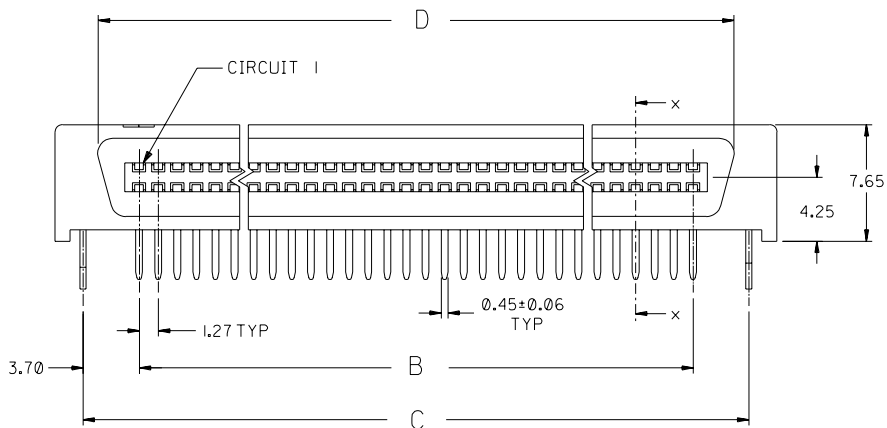
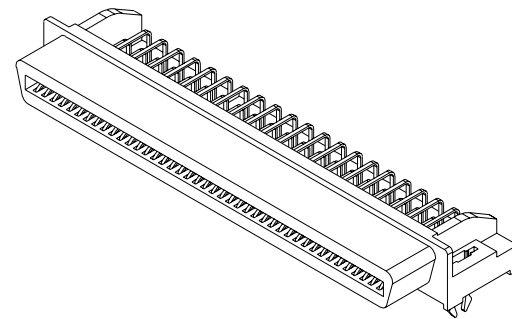




FOR CIRCUIT SIZES 68 AND 80 ONLY



FOR CIRCUIT SIZE 50 ONLY

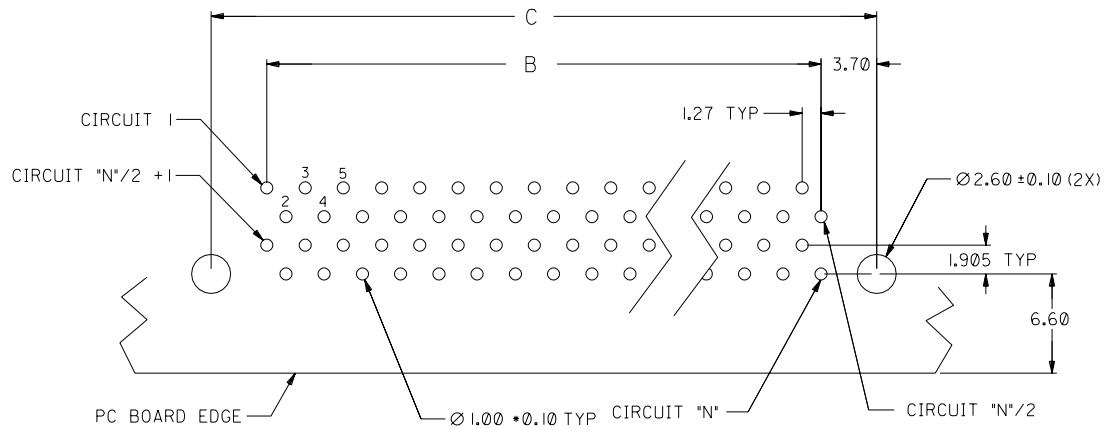


NOTES:

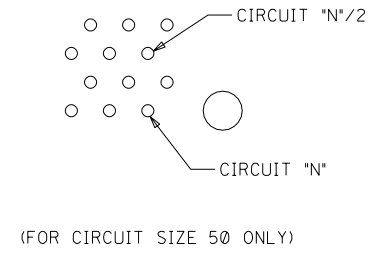
1. MATERIAL: HOUSING -- HIGH TEMP. THERMOPLASTIC, UL94-V0
TERMINALS -- COPPER ALLOY
2. PLATING:
 - 2A 0.76µM MIN. GOLD IN SELECTIVE CONTACT AREA AND 2.54µM MIN. TIN-LEAD IN SOLDER TAIL AREA, BOTH OVER 1.27µM MIN. NICKEL.
 - 2B 0.75µM MIN. GOLD IN SELECTIVE CONTACT AREA AND 2.5µM MIN. TIN IN SOLDER TAIL AREA, BOTH OVER 1.27µM MIN. NICKEL.
3. ASSEMBLY MATES WITH MOLEX P/N 71661-****.
4. RECOMMENDED P.C. BOARD THICKNESS IS 1.60MM.
5. PRODUCT SPEC. NO.: PS-87552-006
6. SEE TABLE ON SHEET 2 FOR ASSEMBLY PART NUMBERS.

ADD TIN PLATED OPTION	EC NO. S2004-0161	030930	QUALITY SYMBOLS	GENERAL TOLERANCES: (UNLESS SPECIFIED)		SCALE 3:1	DESIGN UNITS <input checked="" type="checkbox"/> mm <input type="checkbox"/> INCH	THIRD ANGLE PROJECTION	DIMENSIONS: <input type="checkbox"/> mm <input type="checkbox"/> INCH <input type="checkbox"/> mm ONLY		2	GI
	DRWN: KSEE	030930		MAJOR	4 PLACES	±0. -	±. -		DRAWN BY & DATE D SOH 970401		SHT	REV
	CHK: KCLING	030930		CRITICAL	3 PLACES	±0. -	±. -		CHECKED BY & DATE KC LING 970506		REVISE ON CAD ONLY	
	APPR: SKTOH	030930		DESCRIPTION	2 PLACES	±0.30	±. -		APPROVED BY & DATE SK TOH 970508		TITLE: ASSY, 1.27mm PITCH, R/A EBBI RECEPT	
REV	GI	ANGULAR: ± 3°	1 PLACE	±0. -	±. -	CAD FILENAME S87552AA.S01		MOLEX INCORPORATED				
						MATERIAL NO. SEE CHART		DRAWING NO. SD-87552-007		SHEET NO. 1 OF 2		
THIS DRAWING CONTAINS INFORMATION THAT IS PROPRIETARY TO MOLEX INCORPORATED AND SHOULD NOT BE USED WITHOUT WRITTEN PERMISSION.											SIZE A3	

D	C	B	A	CKT SIZE	ASSEMBLY PART NUMBER (TIN/LEAD)	ASSEMBLY PART NUMBER (TIN)
36.02	37.88	30.48	41.70	50	87552-0501	87552-0507
47.45	49.31	41.91	53.13	68	87552-0681	87552-0687
55.07	56.93	49.53	60.75	80	87552-0801	87552-0807



RECOMMENDED PC BOARD LAYOUT COMPONENT SIDE
(FOR CIRCUIT SIZES 68 AND 80 ONLY)



ADD TIN PLATED OPTION EC NO. S2004-0161 DRWN: KSEE 030930 CHK: KCLING 030930 APPR: SKTOH 030930	QUALITY SYMBOLS MAJOR ▼ = 0 CRITICAL ▽ = 0	GENERAL TOLERANCES: (UNLESS SPECIFIED)		SCALE 3:1	DESIGN UNITS <input checked="" type="checkbox"/> mm <input type="checkbox"/> INCH	THIRD ANGLE PROJECTION <input checked="" type="checkbox"/>	DIMENSIONS: <input type="checkbox"/> mm <input type="checkbox"/> INCH <input checked="" type="checkbox"/> mm ONLY	SHT	REV
		4 PLACES ±0. - ±. -	3 PLACES ±0. - ±. -	DRAWN BY & DATE D SOH 970401		TITLE: ASSY, 1.27mm PITCH, R/A EBBI RECEIPT			
		2 PLACES ±0.30 ±. -	1 PLACE ±0. - ±. -	CHECKED BY & DATE KC LING 970506					
		ANGULAR: ± 3°		APPROVED BY & DATE SK TOH 970508		MOLEX INCORPORATED			
G1	REV			CAD FILENAME S87552AA.S01	MATERIAL NO. SEE CHART	DRAWING NO. SD-87552-007	SHEET NO. 2 OF 2	SIZE A3	