



Chipsmall Limited consists of a professional team with an average of over 10 year of expertise in the distribution of electronic components. Based in Hongkong, we have already established firm and mutual-benefit business relationships with customers from,Europe,America and south Asia,supplying obsolete and hard-to-find components to meet their specific needs.

With the principle of “Quality Parts,Customers Priority,Honest Operation,and Considerate Service”,our business mainly focus on the distribution of electronic components. Line cards we deal with include Microchip,ALPS,ROHM,Xilinx,Pulse,ON,Everlight and Freescale. Main products comprise IC,Modules,Potentiometer,IC Socket,Relay,Connector.Our parts cover such applications as commercial,industrial, and automotives areas.

We are looking forward to setting up business relationship with you and hope to provide you with the best service and solution. Let us make a better world for our industry!



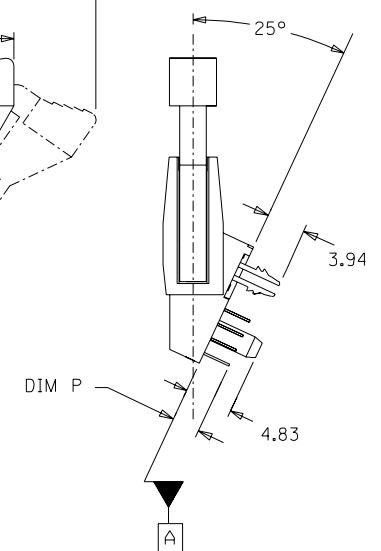
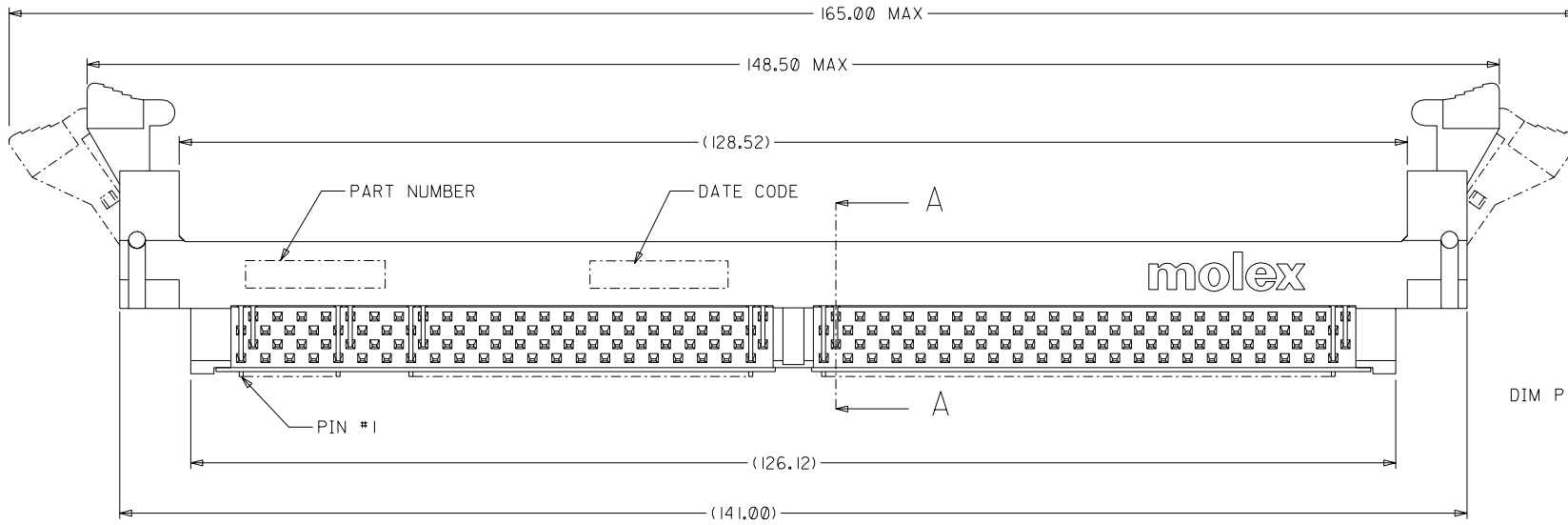
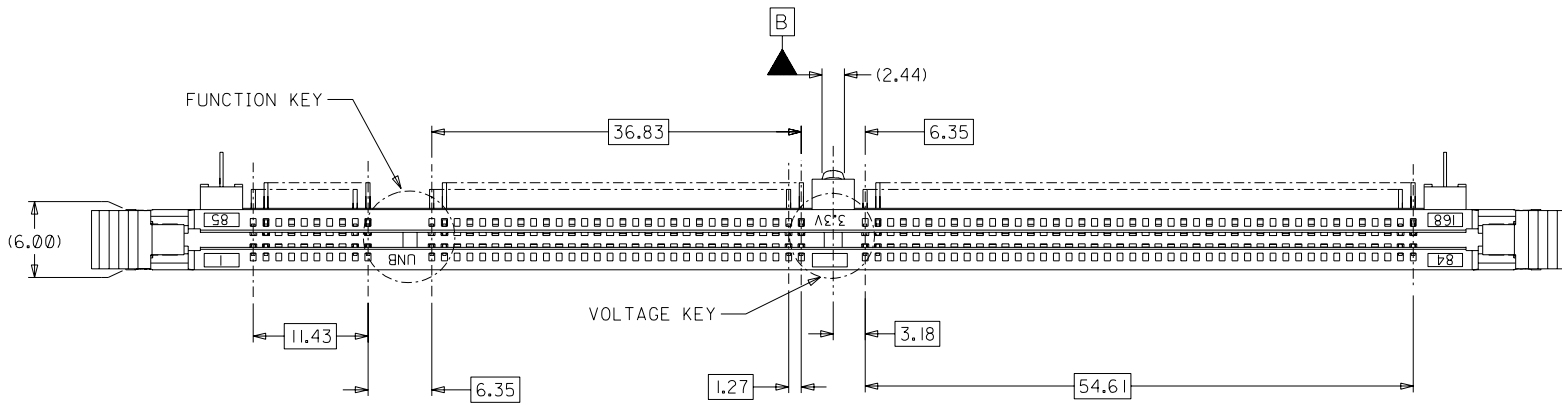
Contact us

Tel: +86-755-8981 8866 Fax: +86-755-8427 6832

Email & Skype: info@chipsmall.com Web: www.chipsmall.com

Address: A1208, Overseas Decoration Building, #122 Zhenhua RD., Futian, Shenzhen, China





- NOTES:
- MATERIALS: HOUSING AND LATCH - HIGH TEMPERATURE THERMOPLASTIC, UL 94-V0
TERMINAL AND FORKLATCH - COPPER ALLOY
 - FINISHES: CONTACT AREA: SEE TABLE ON SHEET 3
SOLDER TAILS: 2.54 μ m/100 μ m MIN. TIN/LEAD
 - PRODUCT SPECIFICATIONS: PS-87587-007 FOR PERFORMANCE SPECIFICATIONS.
 - DATE CODE SHALL BE MARKED LEGIBLY AS SHOWN: XX XXX
YEAR DAY
 - PART NUMBER SHALL BE MARKED LEGIBLY AS SHOWN: 87587-0XXX
REFER TO THE TABLE

EC NO. S2003-0620 DRWN: YSKHOANG030623 CHK: PT LIM 030701 APPR: SK TOH 030702	QUALITY SYMBOLS	GENERAL TOLERANCES: (UNLESS SPECIFIED)		SCALE	DESIGN UNITS	THIRD ANGLE PROJECTION	DIMENSIONS:		3 BI
	MAJOR $\blacktriangledown = 0$ CRITICAL $\blacktriangledown = 0$	mm	INCH	NTS	<input checked="" type="checkbox"/> mm <input type="checkbox"/> INCH		<input type="checkbox"/> mm <input type="checkbox"/> INCH	<input type="checkbox"/> mm ONLY	2 BI

4 PLACES $\pm 0. --- \pm.$	3 PLACES $\pm 0. --- \pm.$	2 PLACES $\pm 0.25 \pm.$	1 PLACE $\pm 0. --- \pm.$
ANGULAR: $\pm 5^\circ$			

DRAWN BY & DATE L.P.LIM 990319	TITLE: 1.27 MM PITCH 25 DEG 168 CKTS MULTI-KEY DIMM
CHECKED BY & DATE K.C.LING 990614	MOLEX INCORPORATED
APPROVED BY & DATE S.K.TOH 990615	

CAD FILENAME SD-87587-001.S01	MATERIAL NO. SEE TABLE	DRAWING NO. SD-87587-001	SHEET NO. 1 OF 3
THIS DRAWING CONTAINS INFORMATION THAT IS PROPRIETARY TO MOLEX INCORPORATED AND SHOULD NOT BE USED WITHOUT WRITTEN PERMISSION.			SIZE A3

8

7

6

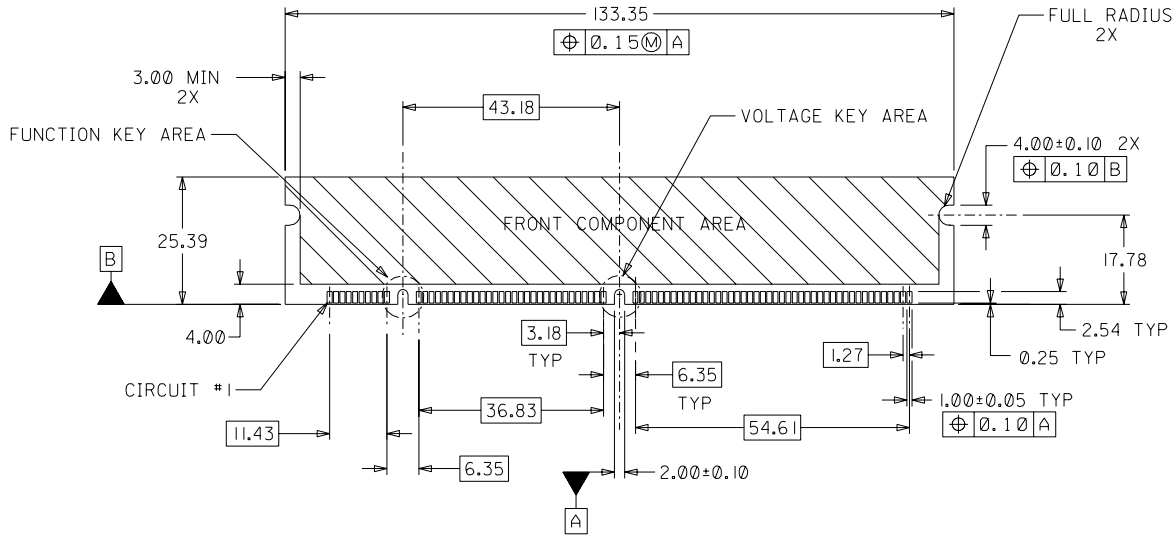
5

4

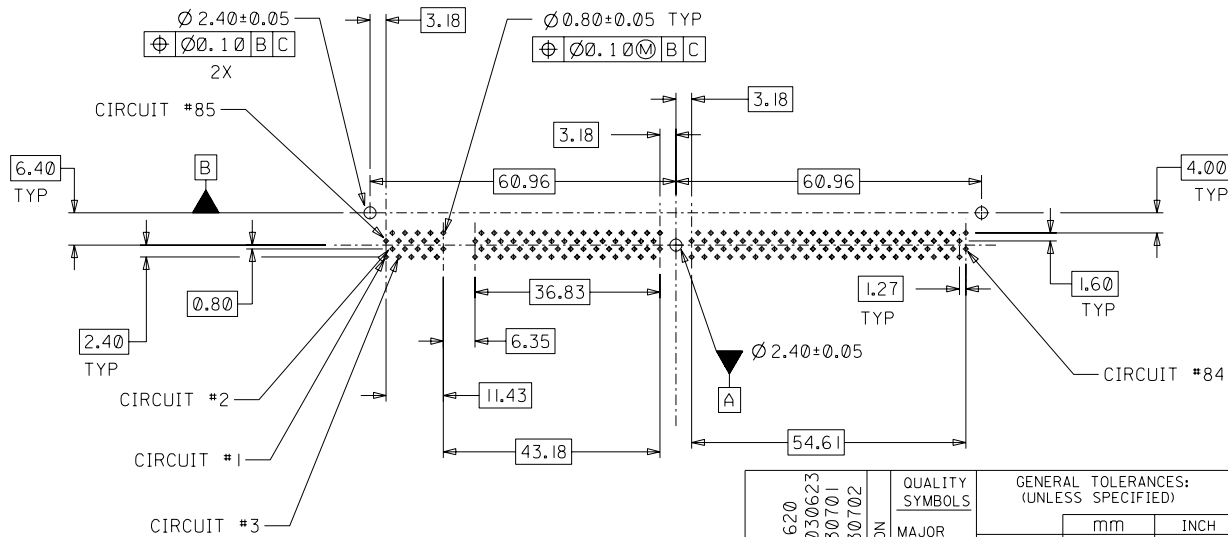
3

2

1

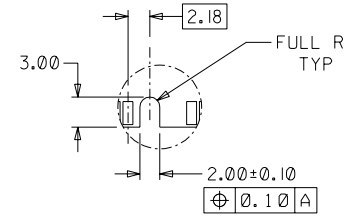


RECOMMENDED MODULE LAYOUT
(PER JEDEC STANDARD MO-161, I68 CKT. 3.3V)

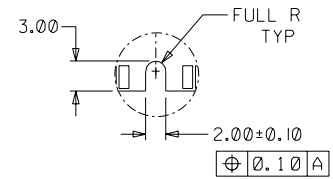


RECOMMENDED
P.C. BOARD HOLE PATTERN
(CONNECTOR SIDE)

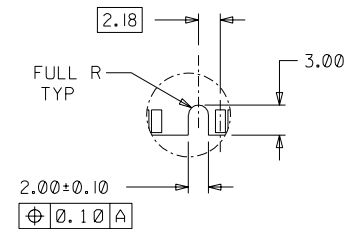
FUNCTION KEY AREA OPTIONS
(REFER ALSO TO TABLE ON SHT. 3)



OFFSET LEFT KEY



CENTERED KEY



OFFSET RIGHT KEY

EC NO. S2003-0620 DRAWN:SKHOANG030623 CHK: PT LIM 030701 APPR:SK TOH 030702	QUALITY SYMBOLS MAJOR ▼ = 0 CRITICAL ▽ = 0	GENERAL TOLERANCES: (UNLESS SPECIFIED)		SCALE NTS	DESIGN UNITS <input checked="" type="checkbox"/> mm <input type="checkbox"/> INCH	THIRD ANGLE PROJECTION	DIMENSIONS: <input type="checkbox"/> mm <input type="checkbox"/> INCH <input type="checkbox"/> mm <input checked="" type="checkbox"/> mm ONLY	SHT	REV	
		4 PLACES ±0. --- ±.	3 PLACES ±0. --- ±.	2 PLACES ±0.25 ±.	1 PLACE ±0. --- ±.	ANGULAR: ± 5°	DRAWN BY & DATE L.P.LIM 990319	TITLE: 1.27 MM PITCH 25 DEG I68 CKTS MULTI-KEY DIMM		
BI	REV	APPROVED BY & DATE S.K.TOH 990615			MATERIAL NO. SEE TABLE			DRAWING NO. SD-87587-001		SHEET NO. 2 OF 3
		THIS DRAWING CONTAINS INFORMATION THAT IS PROPRIETARY TO MOLEX INCORPORATED AND SHOULD NOT BE USED WITHOUT WRITTEN PERMISSION.			MATERIAL NO. SEE TABLE			DRAWING NO. SD-87587-001		SIZE A3

8

7

6

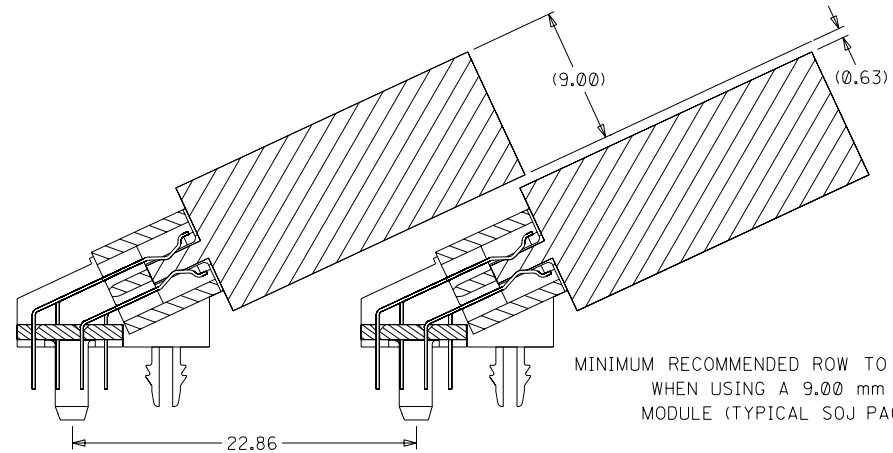
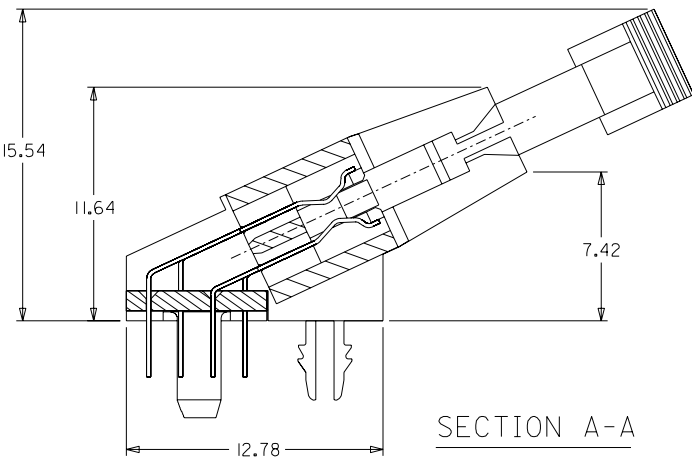
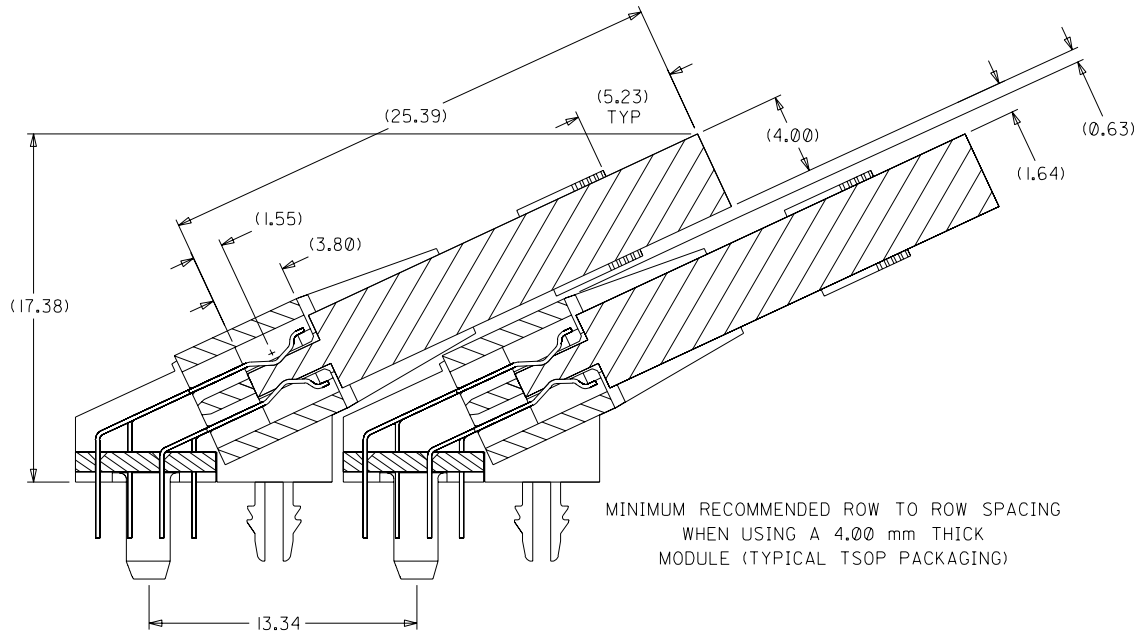
5

4

3

2

1



MATERIAL NO.	FUNCTION KEY	DATUM VOLTAGE KEY	TAIL LENGTH P±0.25	FINISHES: CONTACT AREA
87587-0048	LEFT	CENTER (3,3V)	2.79	SELECTIVE GOLD 0.38µm/15µ" MIN. GOLD OVER 1.27µm/50µ" MIN. NICKEL
87587-0049	CENTER		↓	
87587-0050	RIGHT		↓	
87587-0057	LEFT		3.18	
87587-0058	CENTER		↓	SELECTIVE GOLD 0.76µm/30µ" MIN. GOLD OVER 1.27µm/50µ" MIN. NICKEL
87587-0059	RIGHT		↓	
87587-0148	LEFT		2.79	
87587-0149	CENTER		↓	
87587-0150	RIGHT		↓	
87587-0157	LEFT		3.18	
87587-0158	CENTER		↓	
87587-0159	RIGHT		↓	

EC NO. S2003-0620 DRWN:VSKHOANG030623 CHK: PT LIM 030701 APPR: SK TOH 030702	QUALITY SYMBOLS MAJOR ▼ = 0 CRITICAL ▽ = 0	GENERAL TOLERANCES: (UNLESS SPECIFIED) <table border="1"> <tr> <td></td> <td>mm</td> <td>INCH</td> </tr> <tr> <td>4 PLACES</td> <td>±0. ---</td> <td>±.</td> </tr> <tr> <td>3 PLACES</td> <td>±0. ---</td> <td>±.</td> </tr> <tr> <td>2 PLACES</td> <td>±0.25</td> <td>±.</td> </tr> <tr> <td>1 PLACE</td> <td>±0. ---</td> <td>±.</td> </tr> </table> ANGULAR: ± 5°		mm	INCH	4 PLACES	±0. ---	±.	3 PLACES	±0. ---	±.	2 PLACES	±0.25	±.	1 PLACE	±0. ---	±.	SCALE NTS DESIGN UNITS <input checked="" type="checkbox"/> mm <input type="checkbox"/> INCH	DRAWN BY & DATE L.P.LIM 990319 CHECKED BY & DATE K.C.LING 990614 APPROVED BY & DATE S.K.TOH 990615	DIMENSIONS: <input type="checkbox"/> mm <input type="checkbox"/> INCH <input checked="" type="checkbox"/> mm ONLY	SHT REV
		mm	INCH																		
4 PLACES	±0. ---	±.																			
3 PLACES	±0. ---	±.																			
2 PLACES	±0.25	±.																			
1 PLACE	±0. ---	±.																			
TITLE: 1.27 MM PITCH 25 DEG I68 CKTS MULTI-KEY DIMM	MOLEX INCORPORATED		CAD FILENAME SD-87587-001.S03	MATERIAL NO. SEE TABLE	DRAWING NO. SD-87587-001	SHEET NO. 3 OF 3															

THIS DRAWING CONTAINS INFORMATION THAT IS PROPRIETARY TO MOLEX INCORPORATED AND SHOULD NOT BE USED WITHOUT WRITTEN PERMISSION.

SIZE A3