



Chipsmall Limited consists of a professional team with an average of over 10 year of expertise in the distribution of electronic components. Based in Hongkong, we have already established firm and mutual-benefit business relationships with customers from,Europe,America and south Asia,supplying obsolete and hard-to-find components to meet their specific needs.

With the principle of “Quality Parts,Customers Priority,Honest Operation,and Considerate Service”,our business mainly focus on the distribution of electronic components. Line cards we deal with include Microchip,ALPS,ROHM,Xilinx,Pulse,ON,Everlight and Freescale. Main products comprise IC,Modules,Potentiometer,IC Socket,Relay,Connector.Our parts cover such applications as commercial,industrial, and automotives areas.

We are looking forward to setting up business relationship with you and hope to provide you with the best service and solution. Let us make a better world for our industry!



Contact us

Tel: +86-755-8981 8866 Fax: +86-755-8427 6832

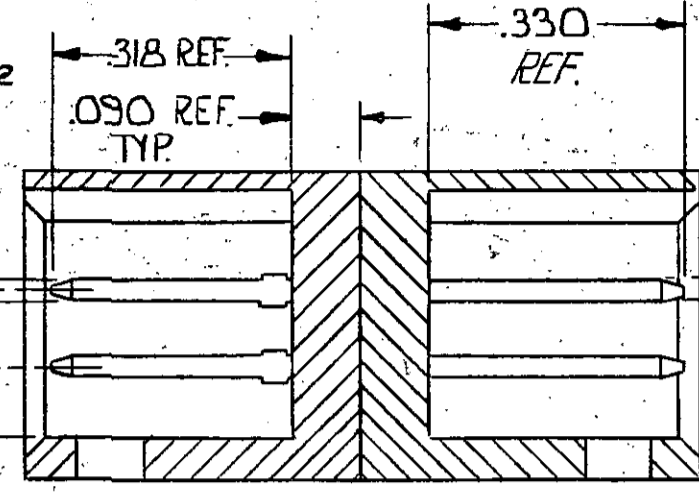
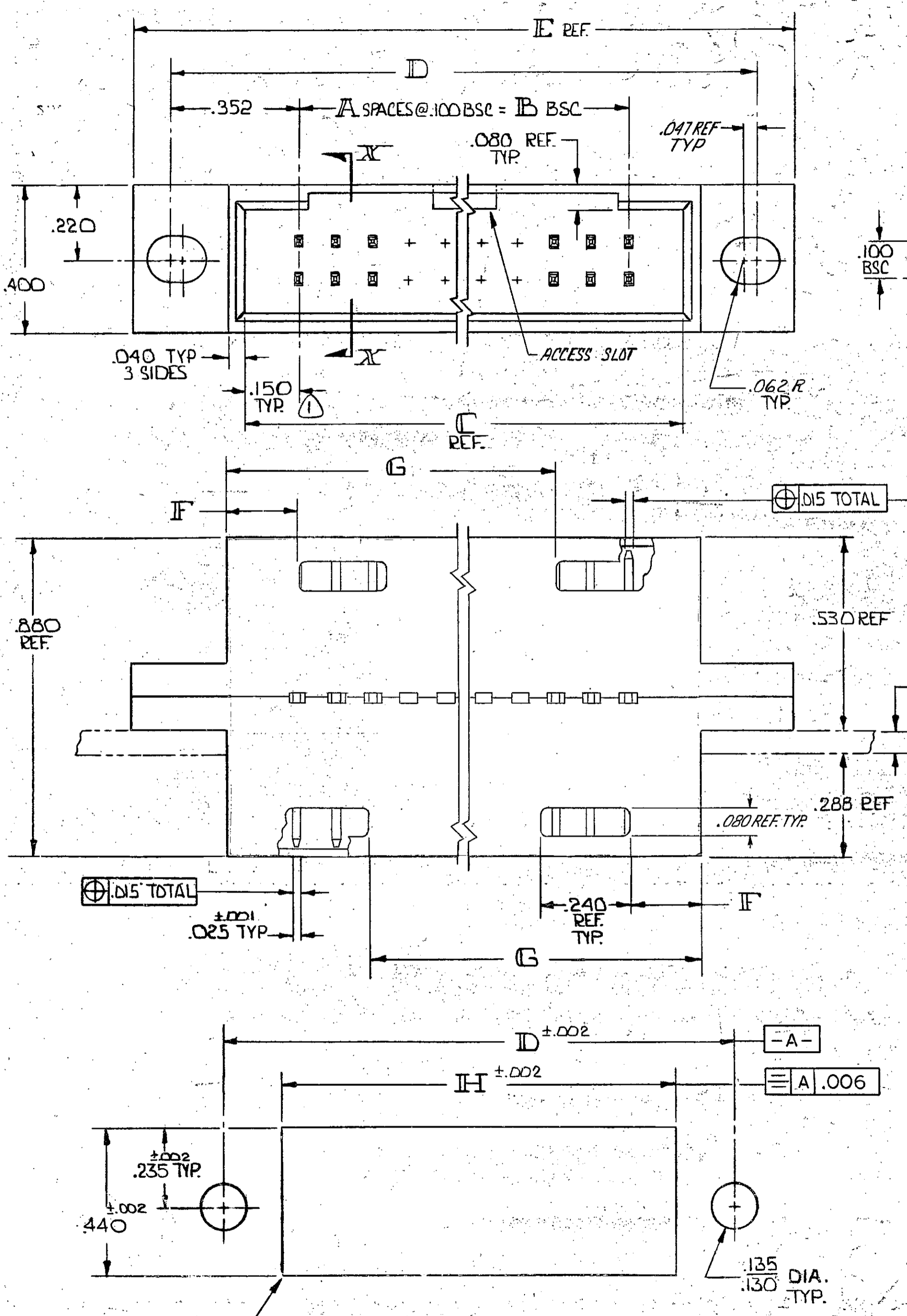
Email & Skype: info@chipsmall.com Web: www.chipsmall.com

Address: A1208, Overseas Decoration Building, #122 Zhenhua RD., Futian, Shenzhen, China



DRAWING MADE IN THIRD ANGLE PROJECTION
 © COPYRIGHT 1975-83 BY AMP INCORPORATED, HARRISBURG, PA.
 ALL INTERNATIONAL RIGHTS RESERVED. AMP INCORPORATED PRODUCTS
 COVERED BY U. S. AND FOREIGN PATENTS AND/OR PATENTS PENDING.

REVISONS				
P/F	ZONE	LTR	DESCRIPTION	DATE APPROVED
E			REV PER AD-5084	2-7-77
F			REV PER 0610-0931-93	9-13 RAC/JJA
G			REV PER 0610-0375-74	3-0-94 JK
H			REV PER 0310-0146-96	2-27-97 EB
H1			REVISED PER ECO-09-026346	NOV09 AEG



⊕ D15 TOTAL
 ⚠ OBSOLETE PARTS: OBSOLETE CIS STREAMLINING PER D.RENAUD/D.SINISI
 ⊕ WILL ALSO MATE W/OTHER CONNECTORS WHICH ARE COMPATIBLE WITH THE THE .150. END DIM.
 WILL MATE W/MOD IV HAVING FOUR EXTRA EMPTY CIRCUITS (TWO EACH END -- EX: 20 POS. POST HDR. WILL MATE W/24 POS. MOD IV HSG.)

⚠ OBSOLETE PART NUMBER

⚠ OBSOLETE	.700	—	.190	1.204	1.004	.600	.300	3	8	2	⚠	
	3.300	2.890	.190	3.804	3.604	3.200	2.900	29	60	2	⚠	2-87605-6
	3.200	2.790	↑	3.704	3.504	3.100	2.800	28	58	2	⚠	-5
	3.100	2.690		3.604	3.404	3.000	2.700	27	56	2	⚠	-4
	3.000	2.590		3.504	3.304	2.900	2.600	26	54	2	⚠	-3
	2.900	2.490		3.404	3.204	2.800	2.500	25	52	2	⚠	-2
	2.800	2.390		3.304	3.104	2.700	2.400	24	50	2		-1
	2.700	2.290		3.204	3.004	2.600	2.300	23	48	2	⚠	-0
	2.600	2.190		3.104	2.904	2.500	2.200	22	46	1	⚠	-9
	2.500	2.090		3.004	2.804	2.400	2.100	21	44	1	⚠	-8
	2.400	1.990		2.904	2.704	2.300	2.000	20	42	1	⚠	-7
	2.300	1.890		2.804	2.604	2.200	1.900	19	40	1		-6
	2.200	1.790		2.704	2.504	2.100	1.800	18	38	1	⚠	-5
	2.100	1.690		2.604	2.404	2.000	1.700	17	36	1	⚠	-4
	2.000	1.590		2.504	2.304	1.900	1.600	16	34	1		-3
⚠ OBSOLETE	1.900	1.490		2.404	2.204	1.800	1.500	15	32			-2
	1.800	1.390		2.304	2.104	1.700	1.400	14	30			-1
	1.700	1.290		2.204	2.004	1.600	1.300	13	28	1	⚠	-0
	1.600	1.190		2.104	1.904	1.500	1.200	12	26			-9
	1.500	1.090		2.004	1.804	1.400	1.100	11	24			-8
	1.400	.990		1.904	1.704	1.300	1.000	10	22	⚠		-7
	1.300	.890	.190	1.804	1.604	1.200	.900	9	20			-6
	1.200	—	.490	1.704	1.504	1.100	.800	8	18	⚠		-5
	1.100	—	.390	1.604	1.404	1.000	.700	7	16	⚠		-4
	1.000	—	.390	1.504	1.304	.900	.600	6	14	⚠		-3
	.900	—	.290	1.404	1.204	.800	.500	5	12	⚠		-2
	.800	—	.290	1.304	1.104	.700	.400	4	10			87605-1

RECOMMENDED PANEL CUT-OUT

UNLESS OTHERWISE SPECIFIED DIMENSIONS ARE IN INCHES. TOLERANCES ON: DECIMALS ± .005 ANGLES ±	CONTRACT NO	NAME HEADER ASS'Y. MOD II .100 x .100 CENTERS MTG. EARS W/PIN PROTECTORS BOTH SIDES (MATES W/ AMP LATCH AND/OR FCC) ⊕	
	DR		9/18/75
	CHK		9-18-75
	APPD		Bennett 9-22-75
	APPD		R. Clark 9-22-75
MATERIAL	FINISH		
HSG'S. - GLASS FILLED NYLON	CONTACT - .000030 GOLD OVER .000050 NICKEL		
COLOR - BLACK	OTHER APPD		
CONTACT - PHOS BRONZE	DSGN APPD OTHER APPD		



87605

87605

SHEET 1 of 1

CUSTOMER DRAWING