



Chipsmall Limited consists of a professional team with an average of over 10 year of expertise in the distribution of electronic components. Based in Hongkong, we have already established firm and mutual-benefit business relationships with customers from,Europe,America and south Asia,supplying obsolete and hard-to-find components to meet their specific needs.

With the principle of “Quality Parts,Customers Priority,Honest Operation,and Considerate Service”,our business mainly focus on the distribution of electronic components. Line cards we deal with include Microchip,ALPS,ROHM,Xilinx,Pulse,ON,Everlight and Freescale. Main products comprise IC,Modules,Potentiometer,IC Socket,Relay,Connector.Our parts cover such applications as commercial,industrial, and automotives areas.

We are looking forward to setting up business relationship with you and hope to provide you with the best service and solution. Let us make a better world for our industry!



Contact us

Tel: +86-755-8981 8866 Fax: +86-755-8427 6832

Email & Skype: info@chipsmall.com Web: www.chipsmall.com

Address: A1208, Overseas Decoration Building, #122 Zhenhua RD., Futian, Shenzhen, China



PRODUCT NUMBER
87606-XXXXLF

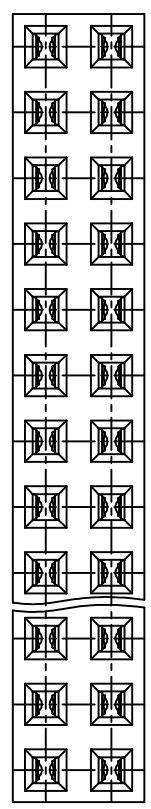
ROHS COMPATIBLE, SEE NOTE 7
OPTIONAL LETTER SEE NOTE 6

NUMBER OF POSITIONS PER ROW: 02 TO 50.

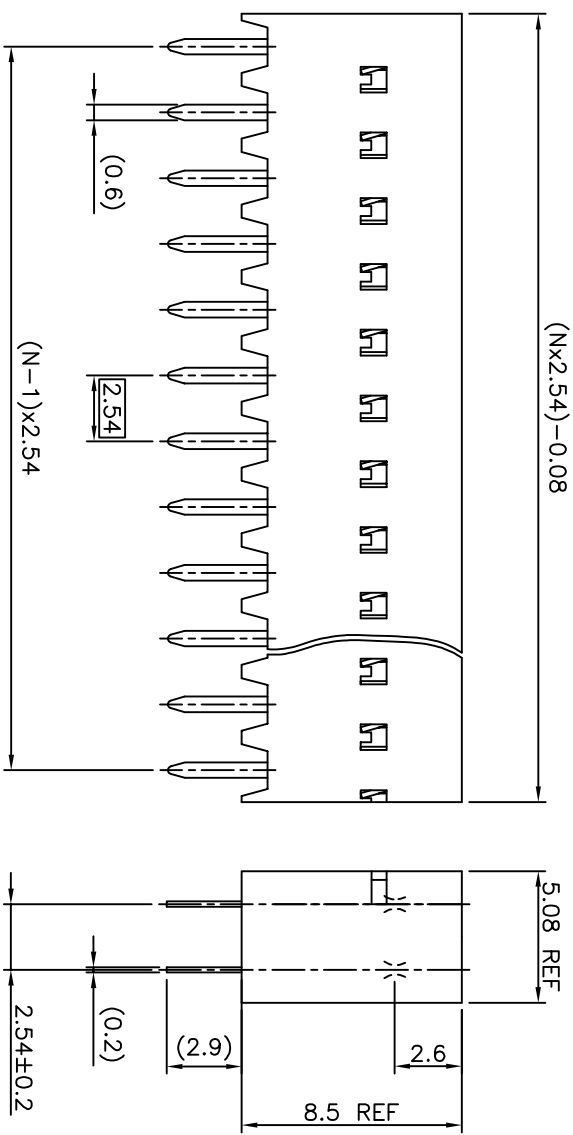
PLATING CODE

3 = 0.76µm GOLD ON CONTACT AREA.
2µm MIN MATTE TIN ON TAIL.
4 = 2µm MIN MATTE TIN FULL PLATED

8 = 0.38µm GOLD ON CONTACT AREA.
2µm MIN MATTE TIN ON TAIL.
1.27µm Ni MIN UNDERPLATING

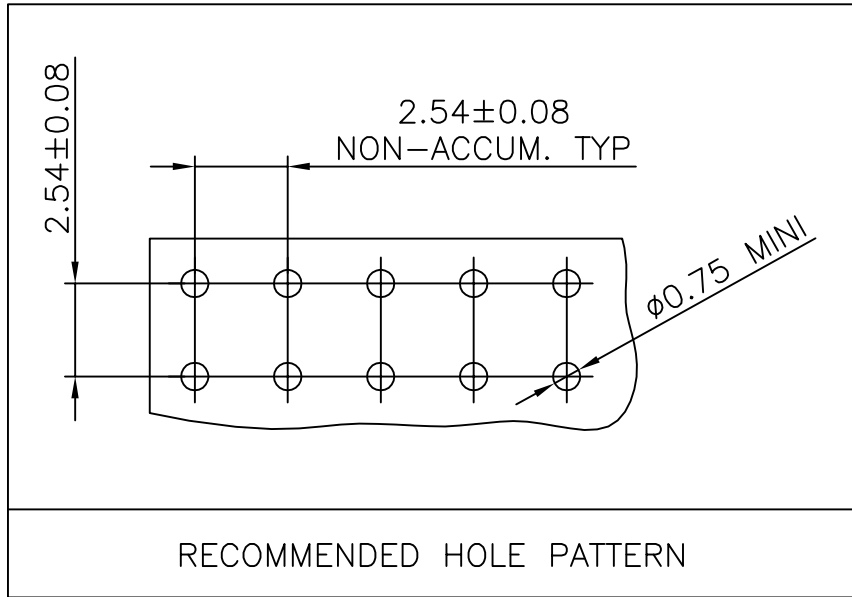


- NOTES:
- HOUSING MAT'L: THERMOPLASTIC GLASS FILLED FLAME RETARDANT PER UL 94 V-0 COLOR: BLUE.
 - TERMINAL MATERIAL: PHOSPHOR BRONZE.
 - 2 UP TO 4 POSITIONS PRODUCT PACKED IN PLASTIC BOX. 5 UP TO 50 POSITIONS PRODUCT PACKED IN TUBE.
 - TO DETERMINE DIMENSIONS:
N = NUMBER OF POSITIONS PER ROW
EXAMPLE: 8 POS: (Nx2.54)-0.08=20.24 mm
HE13 PRINTING ON 87606-3XX PRODUCT.
 - A LETTER "H" AT THE END OF THE PART NUMBER TO INDICATE A HIGH TEMP. PRODUCT HOUSING MAT'L: THERMOPLASTIC GLASS FILLED FLAME RETARDANT PER UL 94 V-0 COLOR: GREY.
 - ROHS COMPATIBLE PRODUCT SPECIFICATIONS
 - PLATING:
"LF" MEANS THE PRODUCT IS LEAD-FREE, 2µm MINIMUM MATTE TIN OVER 1.27µm MINIMUM NICKEL UNDERPLATE.
 - MANUFACTURING PROCESS COMPATIBILITY



- THE HOUSING WILL WITHSTAND EXPOSURE TO 260°C ±5°C SOLDER BATH TEMPERATURE FOR 5 SECONDS IN A WAVE SOLDER APPLICATION WITH A 1.6mm MIN THICK CIRCUIT BOARD.
- LABELING:
MEETS PACKAGING SPECS AS PER GS-14-920
- LEGAL STATEMENT: SEE GS-47-0004
- PRINTING & HOLE PATTERN SEE NEXT SHEET.

mat'l. code	SEE NOTE 1	surface	ISO 1302	tolerance	ISO 406	ISO 1001	projection	product family	DUBOX	title	B1B RECEPT. VERT DR TMT
ltr	ecm no	dr	date	tolerances unless otherwise specified	linear	±0.3	mm	scale	5:1	dwg no	87606
K	F04-0347	DLE	04.09.23	angles						sheet 1 of 2	A3
L	F05-0230	DLE	05.08.08	linear						size	
M	F06-0204	DLE	06.06.21	#2						revision	
N	F07-0108	DLE	07.01.16	dr	D	LEGRAND				type	CUSTOMER
P	B-19123	LMW	14.10.21	lengr	P	NIZZI				drawing	
J	F04-0348	DLE	04.09.22	qppd	P	NZ					
index	sheet	revision	P	D							
	1	2									



FCIconnect.com

Copyright FCI

mat'l. code SEE SHEET 1				surface ISO 1302 <input checked="" type="checkbox"/>		tolerance ISO 406 ISO 1101		projection 		product family DUBOX			
ltr	ecn no	dr	date	tolerances unless otherwise specified				mm 		title BtB RECEPT. VERT DR TMT			
A	F04-0347	DLE	04.09.23	angles	linear	±0.3		scale 5:1		dwg no		sheet 2 of 2	size
B	F05-0230	DLE	05.08.08							87606		A4	
C	F06-204	DLE	06.06.21			±2'				CUSTOMER		Drawing	
D	F07-0109	DLE	07.01.16	dr	D LEGRAND	04.09.23	enr	P NIZZI	04.09.23	FCI			
				chr	D LE	04.09.23	appd	P NZ	04.09.23				
sheet index	revision sheet												