



Chipsmall Limited consists of a professional team with an average of over 10 year of expertise in the distribution of electronic components. Based in Hongkong, we have already established firm and mutual-benefit business relationships with customers from,Europe,America and south Asia,supplying obsolete and hard-to-find components to meet their specific needs.

With the principle of "Quality Parts,Customers Priority,Honest Operation,and Considerate Service",our business mainly focus on the distribution of electronic components. Line cards we deal with include Microchip,ALPS,ROHM,Xilinx,Pulse,ON,Everlight and Freescale. Main products comprise IC,Modules,Potentiometer,IC Socket,Relay,Connector.Our parts cover such applications as commercial,industrial, and automotives areas.

We are looking forward to setting up business relationship with you and hope to provide you with the best service and solution. Let us make a better world for our industry!



Contact us

Tel: +86-755-8981 8866 Fax: +86-755-8427 6832

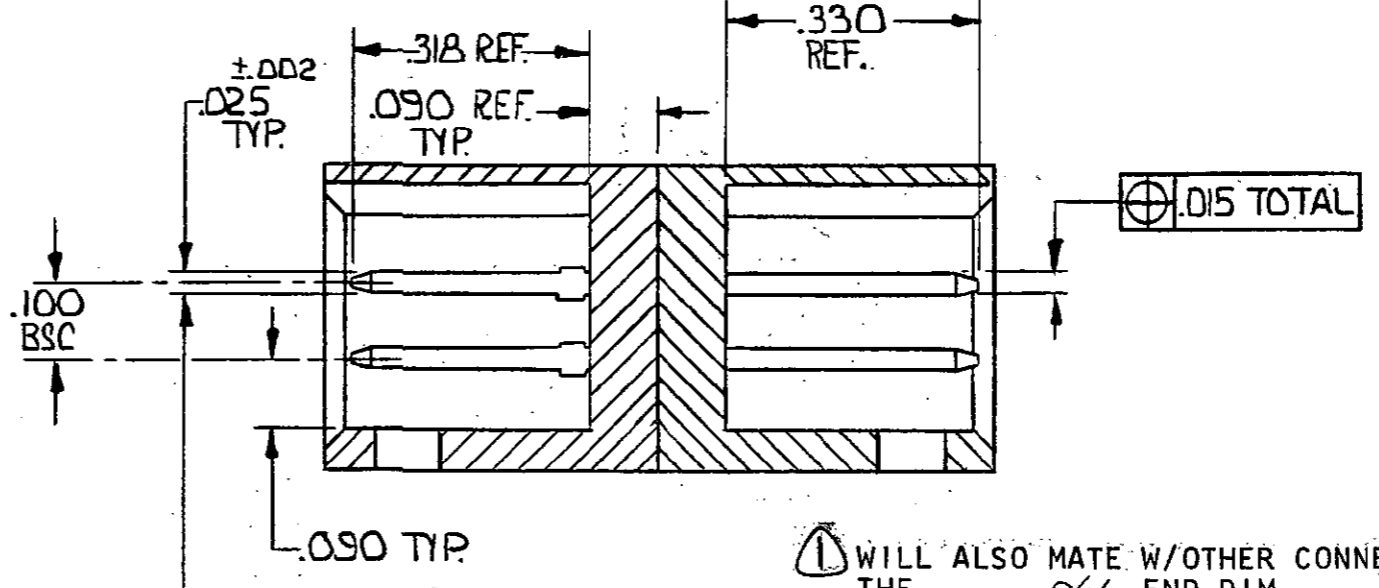
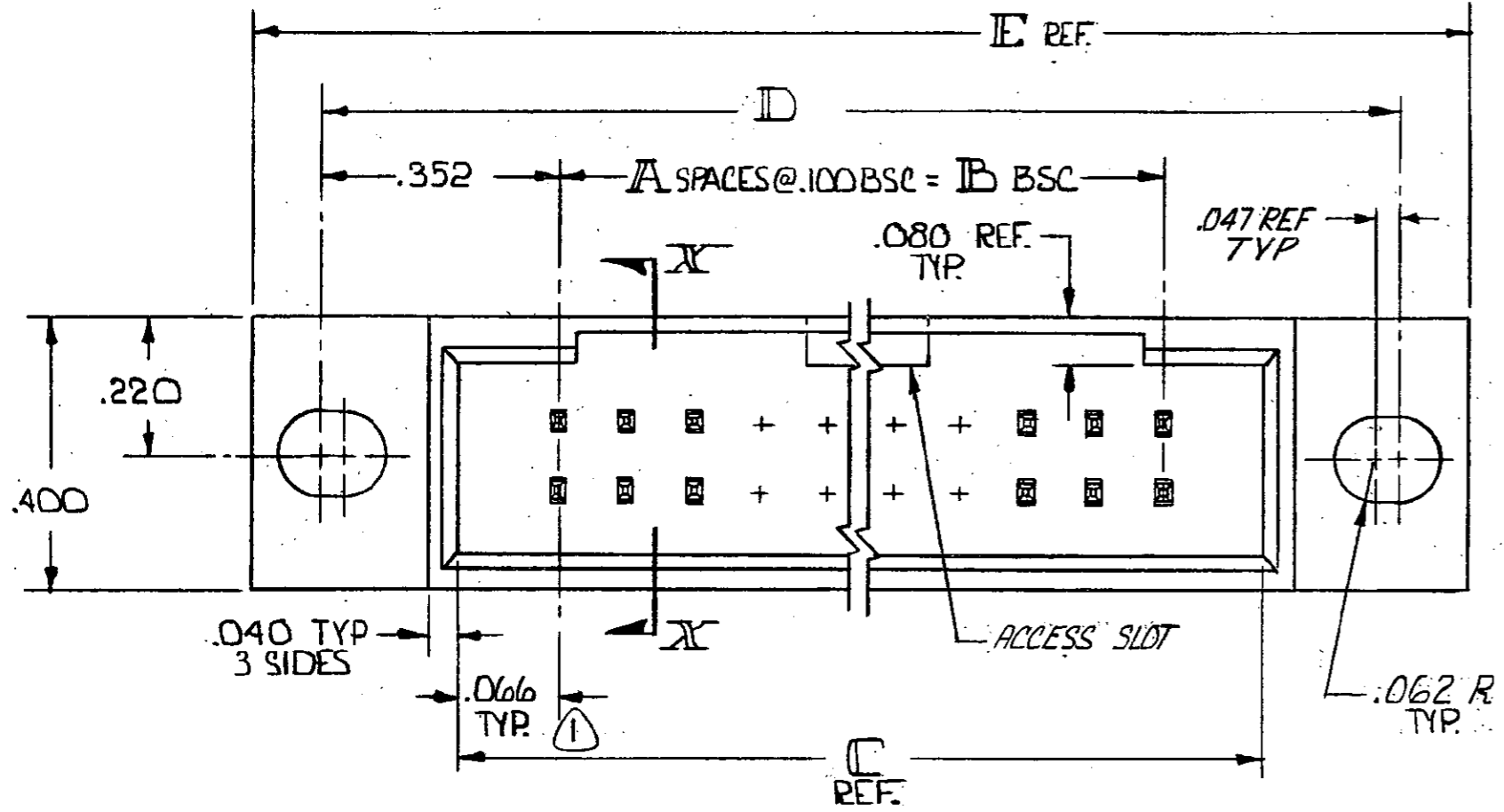
Email & Skype: info@chipsmall.com Web: www.chipsmall.com

Address: A1208, Overseas Decoration Building, #122 Zhenhua RD., Futian, Shenzhen, China



© COPYRIGHT 1975-83 BY AMP INCORPORATED, HARRISBURG, PA.
 ALL INTERNATIONAL RIGHTS RESERVED. AMP INCORPORATED PRODUCTS
 COVERED BY U. S. AND FOREIGN PATENTS AND/OR PATENTS PENDING.

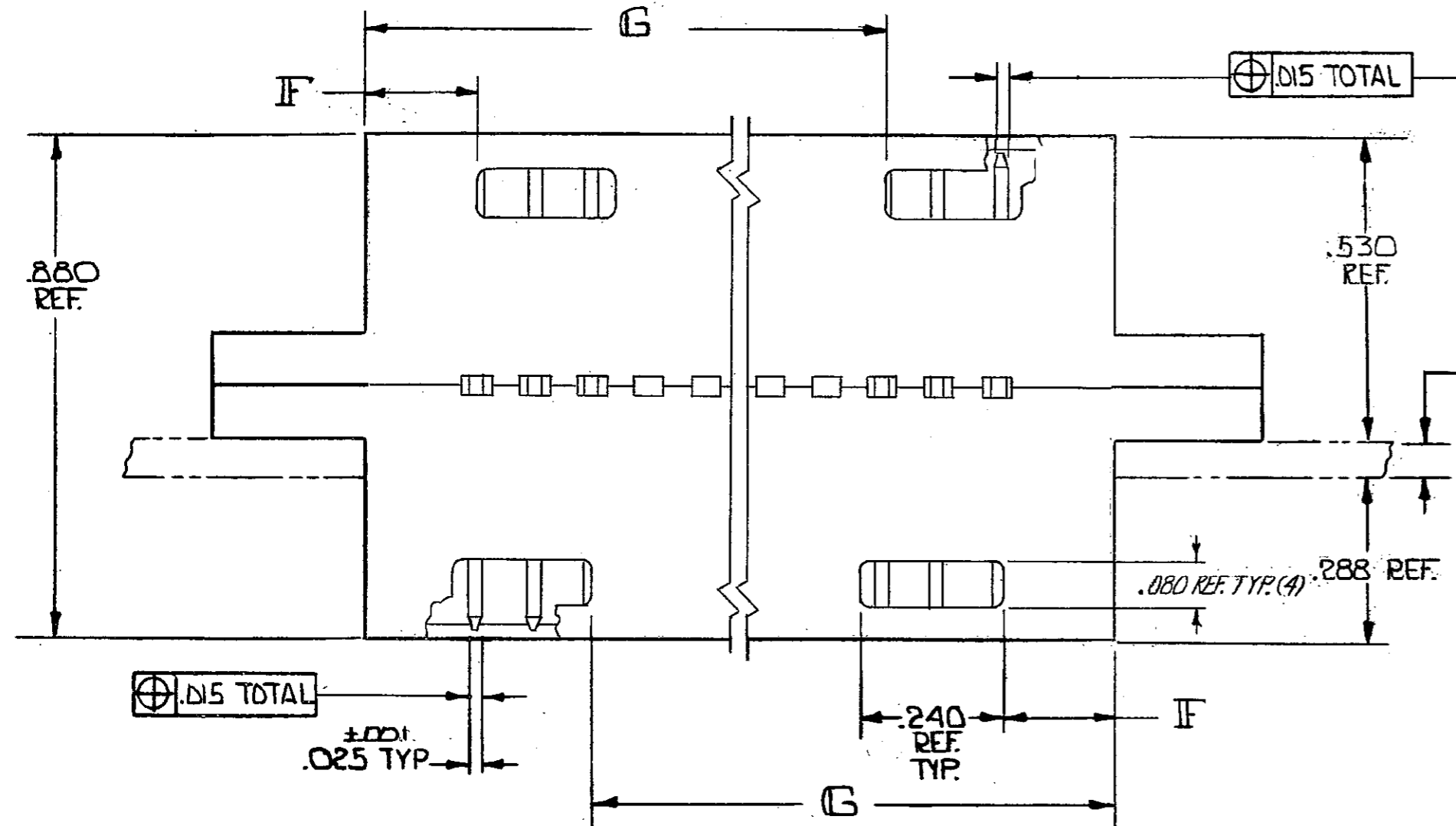
| REVISIONS | | | | |
|-----------|----------|---------------------------|---------|----------|
| P/F | ZONE/LTR | DESCRIPTION | DATE | APPROVED |
| | G | REV PER 0310-0025-98 | 04OCT01 | JO |
| | G1 | REVISED PER ECO-09-026346 | NOV09 | AEG |



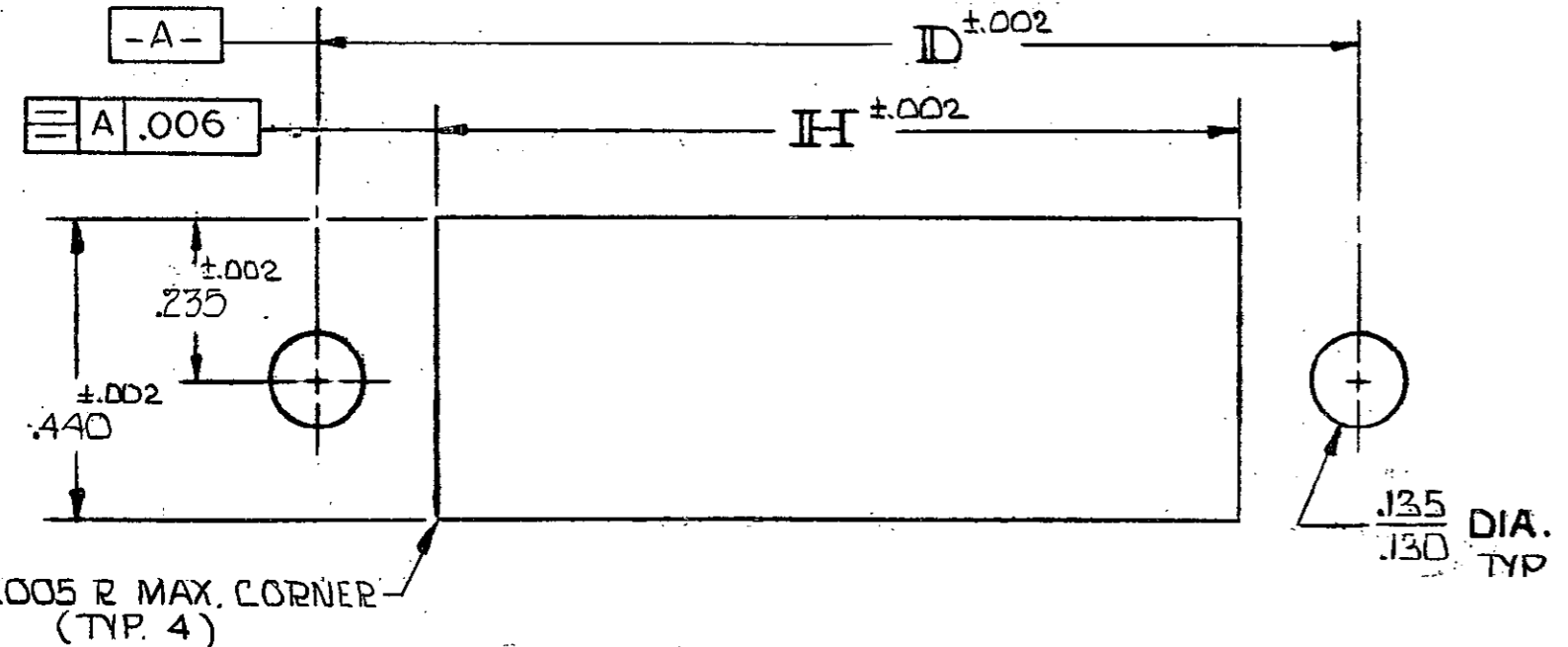
Ⓛ WILL ALSO MATE W/OTHER CONNECTORS WHICH ARE COMPATIBLE WITH THE .066 END DIM.

Ⓜ OBSOLETE PART NUMBER

Ⓝ OBSOLETE PARTS: OBSOLETE CIS STREAMLINING PER D.RENAUD/D.SINISI



| Ⓜ OBSOLETE | H | G | F | E | D | C | B | A | NO. OF POS. | PART NO. |
|------------|-------|------|-------|-------|-------|-------|----|----|-------------|----------|
| 3.132 | 2.806 | .106 | 3.804 | 3.604 | 3.032 | 2.900 | 29 | 60 | 2-87608-6 | |
| 3.032 | 2.706 | | 3.704 | 3.504 | 2.932 | 2.800 | 28 | 58 | 2-Ⓜ -5 | |
| 2.932 | 2.606 | | 3.604 | 3.404 | 2.832 | 2.700 | 27 | 56 | 2-Ⓜ -4 | |
| 2.832 | 2.506 | | 3.504 | 3.304 | 2.732 | 2.600 | 26 | 54 | 2-Ⓜ -3 | |
| 2.732 | 2.406 | | 3.404 | 3.204 | 2.632 | 2.500 | 25 | 52 | 2-Ⓜ -2 | |
| 2.632 | 2.306 | | 3.304 | 3.104 | 2.532 | 2.400 | 24 | 50 | 2-Ⓜ -1 | |
| 2.532 | 2.206 | | 3.204 | 3.004 | 2.432 | 2.300 | 23 | 48 | 2-Ⓜ -0 | |
| 2.432 | 2.106 | | 3.104 | 2.904 | 2.332 | 2.200 | 22 | 46 | 1-Ⓜ -9 | |
| 2.332 | 2.006 | | 3.004 | 2.804 | 2.232 | 2.100 | 21 | 44 | 1-Ⓜ -8 | |
| 2.232 | 1.906 | | 2.904 | 2.704 | 2.132 | 2.000 | 20 | 42 | 1-Ⓜ -7 | |
| 2.132 | 1.806 | | 2.804 | 2.604 | 2.032 | 1.900 | 19 | 40 | 1-Ⓜ -6 | |
| 2.032 | 1.706 | | 2.704 | 2.504 | 1.932 | 1.800 | 18 | 38 | 1-Ⓜ -5 | |
| 1.932 | 1.606 | | 2.604 | 2.404 | 1.832 | 1.700 | 17 | 36 | 1-Ⓜ -4 | |
| 1.832 | 1.506 | | 2.504 | 2.304 | 1.732 | 1.600 | 16 | 34 | 1-Ⓜ -3 | |
| 1.732 | 1.406 | | 2.404 | 2.204 | 1.632 | 1.500 | 15 | 32 | 1-Ⓜ -2 | |
| 1.632 | 1.306 | | 2.304 | 2.104 | 1.532 | 1.400 | 14 | 30 | 1-Ⓜ -1 | |
| 1.532 | 1.206 | | 2.204 | 2.004 | 1.432 | 1.300 | 13 | 28 | 1-Ⓜ -0 | |
| 1.432 | 1.106 | | 2.104 | 1.904 | 1.332 | 1.200 | 12 | 26 | Ⓜ -9 | |
| 1.332 | 1.006 | | 2.004 | 1.804 | 1.232 | 1.100 | 11 | 24 | Ⓜ -8 | |
| 1.232 | .906 | | 1.904 | 1.704 | 1.132 | 1.000 | 10 | 22 | Ⓜ -7 | |
| 1.132 | .806 | .106 | 1.804 | 1.604 | 1.032 | .900 | 9 | 20 | Ⓜ -6 | |
| 1.032 | — | .406 | 1.704 | 1.504 | .932 | .800 | 8 | 18 | Ⓜ -5 | |
| .932 | — | .306 | 1.604 | 1.404 | .832 | .700 | 7 | 16 | Ⓜ -4 | |
| .832 | — | .206 | 1.504 | 1.304 | .732 | .600 | 6 | 14 | Ⓜ -3 | |
| .732 | — | .206 | 1.404 | 1.204 | .632 | .500 | 5 | 12 | Ⓜ -2 | |
| .632 | — | .206 | 1.304 | 1.104 | .532 | .400 | 4 | 10 | 87608 -1 | |



RECOMMENDED PANEL CUT-OUT

| | | |
|--|---------------------------------|---|
| UNLESS OTHERWISE SPECIFIED DIMENSIONS ARE IN INCHES. TOLERANCES ON: DECIMALS ±.005 ANGLES | CONTRACT NO | AMP INCORPORATED Harrisburg, Pa. |
| | DR <i>D. Miller</i> 5/18/75 | |
| MATERIAL HSG'S. - GLASS FILLED NYLON COLOR: BLACK CONTACT - PHOS BRONZE | CHK <i>D. Miller</i> 9-18-75 | NAME HEADER ASS'Y., MOD II, .100 x .100 CENTERS, MTG. EARS, W/ PIN PROTECTORS BOTH SIDES MATES W/ MOD IV (BOTH SIDES) Ⓜ |
| | APPD <i>Bennett</i> 9/22/75 | |
| FINISH CONTACT - 000030 GOLD OVER 000050 NICKEL | APPD <i>R. Clark</i> 9/22/75 | SIZE CODE IDENT NO DRAWING NO |
| | DSGN APPD | C 00779 87608 |
| OTHER APPD | | SCALE |
| | | SHEET 1 of 1 |