



Chipsmall Limited consists of a professional team with an average of over 10 year of expertise in the distribution of electronic components. Based in Hongkong, we have already established firm and mutual-benefit business relationships with customers from,Europe,America and south Asia,supplying obsolete and hard-to-find components to meet their specific needs.

With the principle of “Quality Parts,Customers Priority,Honest Operation,and Considerate Service”,our business mainly focus on the distribution of electronic components. Line cards we deal with include Microchip,ALPS,ROHM,Xilinx,Pulse,ON,Everlight and Freescale. Main products comprise IC,Modules,Potentiometer,IC Socket,Relay,Connector.Our parts cover such applications as commercial,industrial, and automotives areas.

We are looking forward to setting up business relationship with you and hope to provide you with the best service and solution. Let us make a better world for our industry!



Contact us

Tel: +86-755-8981 8866 Fax: +86-755-8427 6832

Email & Skype: info@chipsmall.com Web: www.chipsmall.com

Address: A1208, Overseas Decoration Building, #122 Zhenhua RD., Futian, Shenzhen, China



87 610 150 SERIES

ELAPSED TIME INDICATOR

- Voltage Input Version
- 6 Digit .3" High LCD Display
- 4 Selectable Time Ranges:
 - Hours, 1/10 Hours
 - Minutes, 1/10 Minutes
 - Seconds, 1/10 Seconds
 - Hours, Minutes, Seconds
- NEMA 4 Front Panel



GENERAL FEATURES:

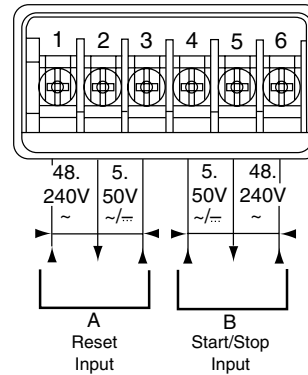
The 87 610 150 Series is an elapsed time indicator in a DIN-sized (24 x 48mm) enclosure. The start/stop input can be a 5 to 50 VAC/DC and 48 to 240 VAC voltage pulse. The unit is powered by an internal lithium battery which can be disconnected via a dip-switch for storage purposes.

SPECIFICATIONS:

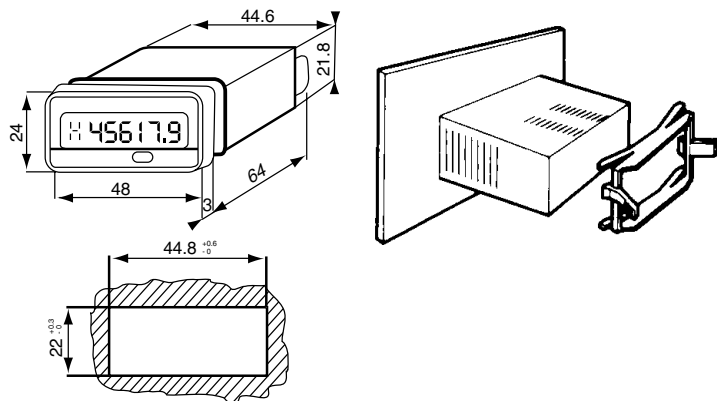
Display	6 Digit LCD
Display Height	0.3"
Accuracy	±50 PPM
Input	
Start/Stop and Reset Inputs	5 to 50 VAC/DC 48 to 240 VAC
Min. Closure Time	40 ms
Power Supply	Internal lithium battery (5 year life)
Connection	Screw Terminal
Front Panel Rating	NEMA 4 (IP66)
Operating Temperature	+14 to 122°F (-10 to 50°C)
Storage Temperature	-13 to 158°F (-25 to 70°C)
Weight	2.1 oz. (60g)

WIRING:

- 87 610 150**
- 1 - 48 to 240 VAC Reset Input
 - 2 - OV Reset Input
 - 3 - 5 to 50 VAC/DC Reset Input
 - 4 - 5 to 50 VAC/DC Start/Stop Input
 - 5 - OV Start/Stop Input
 - 6 - 48 to 240 VAC Start/Stop Input



DIMENSIONS: (mm)



ORDERING INFORMATION:

Voltage Input Version 87 610 150

Products and specifications subject to change without notice.
Consult factory for application assistance.